

- NOTES:
1. FOR INSTALLATION OF THESE PARTS SEE THEIR ASSOCIATED ASSEMBLY DRAWINGS.
 2. FRONT DOOR STOPS MOUNT ON LEFT FRONT RAIL IN HOLE NOS 3 & 43.
 3. REAR DOOR STOPS MOUNT ON LEFT REAR RAIL IN HOLE NOS. 7 & 89.
 4. FRONT DOOR GROUND STRAP CONNECTS TO RIGHT FRONT RAIL HOLE NO. 7 DOUBLE ANGLE EDGE.
 5. REAR DOOR GROUND STRAP CONNECTS TO RIGHT REAR RAIL HOLE NO. 13 DOUBLE ANGLE EDGE.
 6. END PANEL GROUND STRAPS CONNECT TO SIDE OF FRONT RAILS HOLE NO. 83 DOUBLE ANGLE EDGES.
 7. PLACE PRODUCT IDENTIFICATION LABEL IN LEFT REAR CORNER OF TOP COVER (RIGHT SIDE AS VIEWED FROM REAR). LABEL TS11-CA OR -CB AS APPROPRIATE IN ADDITION TO SERIAL NUMBER.
 8. ADD ITEM 8, GROMMET, TO BRACKET (REAR DOOR HINGE/END PANEL LOCK, 74-22221-00) ON RIGHT REAR CORNER. PLACE GROMMET ON BRACKET SIDE CLOSEST TO POWER CORD.

SEE OFF SHEET PARTS LIST: K-PL-TS11-C-DBP

REVISION HISTORY					DRN: C. BENHAM	DATE: 25 SEPT 79	DIGITAL			
ENG	ECO NUMBER	REV	ENG	ECO NUMBER	REV	TITLE				
	INIT	A				SYSTEM ARRANGEMENT				
RN	TS11C-ML001	B			CHK'D: R. NELSON	DATE: 25 SEPT 79	TS11-A IN H9546 CAB			
RN	TS11C-ML002	C			DES.ENG.: R. NELSON	DATE: 25 SEPT 79				
					RESP.ENG.: R. NELSON	DATE: 25 SEPT 79	DOCUMENT NUMBER			
					MFG.ENG.: J. SOUZA	DATE: 25 SEPT 79	SIZE	CODE	NUMBER	REV.
							K	SA	TS11-C-DBF	C
							SHEET 1 OF 1			

"THIS DRAWING AND SPECIFICATIONS HERFIN, ARE THE PROPERTY OF DIGITAL EQUIPMENT CORPORATION AND SHALL NOT BE REPRODUCED OR COPIED OR USED IN WHOLE OR IN PART AS THE BASIS FOR THE MANUFACTURE OR SALE OF ITEMS WITHOUT WRITTEN PERMISSION. COPYRIGHT (C) 1979 DIGITAL EQUIPMENT CORPORATION"

ML2

AUTOMATED BY PRTLST.3L(36)

PARTS LIST

SHEET A1 OF A1

LINE ITEM	DOCUMENT NUMBER	PART NUMBER	DESCRIPTION	QUANTITY	PER VARIATION
	D-AD-7017058-0-0	7017058-00	TS11 UX H9546 CAB	1	-
	D-AD-7017058-0-1	7017058-01	CANCEL (10-15-80 CAROL TAYLOR)		
	E-UA-H9544-A-0	H9544-AC	60"END PANEL,GREY FRAME,BROWN IN		
	E-UA-H9544-J-0	H9544-JD	60" TO 40" EXP PANEL TO JOIN 60"		
	E-UA-H9544-E-0	H9544-EB	FRONT DOOR FOR 40" CAB W 105" TO		
	E-UA-H9544-B-0	H9544-BB	60" REAR DOOR W LOCK,FULLY LOUVE		

REVISION HISTORY		BASIC PART NO: OTS11		DRN: P. TESLA	DATE: 14-SEP-79	D I G I T A L	
ENG!	ZOO NUMBER	REV	SECTION A OF A	CHK'D: M. ARCHIE	DATE: 14-SEP-79	TITLE PARTS LIST	
ARN	TS11-C-MLOO1	B	SECTION. VARIATION INDEX	DES.ENG.: R. NELSON	DATE: 14-SEP-79	TS11-A IN H9546 CAB	
			(A) CA,CB	REC'D.ENG.: R. NELSON	DATE: 14-SEP-79	DOCUMENT NUMBER	
			(B)	MFG.ENG.: J. SOUZA	DATE: 30-SEP-79	SIZE: K	CODE: PL
			(C)	ASSEMBLY NUMBER:	TOP DOCUMENT NUMBER:	NUMBER	REV
			(D)	K-5A-TS11-C-0	B-DD-TS11-C-0	TS11-C-DGP	B
			(E)			FILE NAME:	EDIT #
			(F)			Z0928B.PLS	6

"THIS DRAWING AND SPECIFICATIONS HEREIN, ARE THE PROPERTY OF DIGITAL EQUIPMENT CORPORATION AND SHALL NOT BE REPRODUCED OR COPIED OR USED IN WHOLE OR IN PART AS THE BASIS FOR THE MANUFACTURE OR SALE OF ITEMS WITHOUT WRITTEN PERMISSION. COPYRIGHT (C) 1981. DIGITAL EQUIPMENT CORPORATION"

"THE MATERIAL HEREIN IS FOR INFORMATION PURPOSES ONLY AND IS SUBJECT TO CHANGE WITHOUT NOTICE. DIGITAL EQUIPMENT CORPORATION ASSUMES NO RESPONSIBILITY FOR ANY ERRORS WHICH MAY APPEAR HEREIN."

DRAWING DIRECTORY

"THIS DRAWING AND SPECIFICATIONS, HEREIN, ARE THE PROPERTY OF DIGITAL EQUIPMENT CORPORATION AND SHALL NOT BE REPRODUCED OR COPIED OR USED IN WHOLE OR IN PART AS THE BASIS FOR THE MANUFACTURE OR SALE OF ITEMS WITHOUT WRITTEN PERMISSION. COPYRIGHT © 1979 DIGITAL EQUIPMENT CORPORATION.

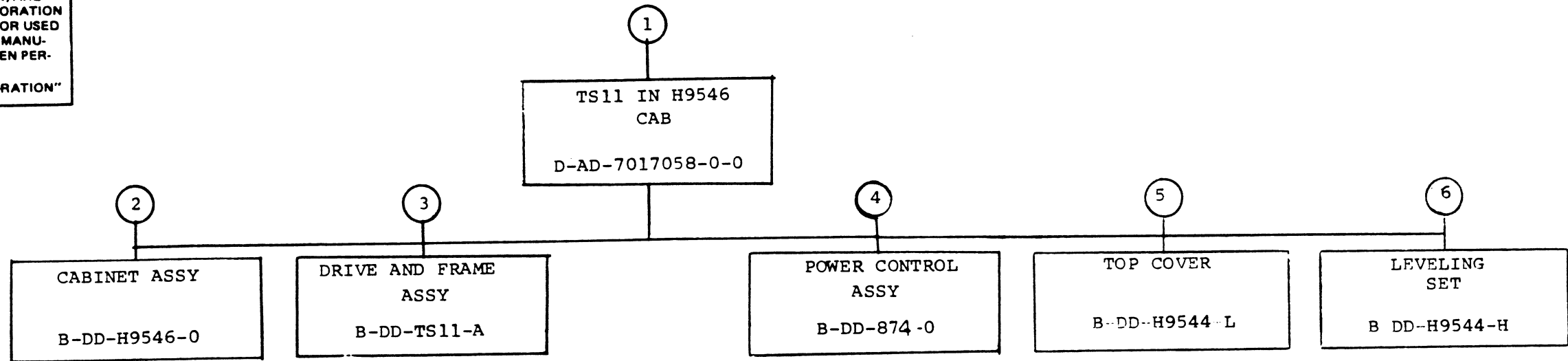
UNIT VARIATIONS	
VAR	TITLE
7017058-0-0	TS11 IN H9546 CAB 120V
7017058-1-0	TS11 IN H9546 CAB 240V

REVISIONS	CHANGE NO.	REV.	INITIAL
		A	
		B	
		C	
		D	

ML001	ML002	JMN	7017058-ML/CI

USED ON OPTION/MODEL	DRN. H. GREKJULA	DATE 26 JUL 79	TITLE TS11 IN H9546 CAB	digital					
	CHK'D. <i>J.A. Klyne</i>	DATE 14 Sept 79							
	PROJ. ENG. R. NELSON	DATE 9 JUL 79							
	PROJ. ENG. <i>J. Souza</i>	DATE 9 JUL 79							
SHEET 1 OF 3									

"THIS DRAWING AND SPECIFICATIONS, HEREIN, ARE THE PROPERTY OF DIGITAL EQUIPMENT CORPORATION AND SHALL NOT BE REPRODUCED OR COPIED OR USED IN WHOLE OR IN PART AS THE BASIS FOR THE MANUFACTURE OR SALE OF ITEMS WITHOUT WRITTEN PERMISSION.
COPYRIGHT © DIGITAL EQUIPMENT CORPORATION"



TITLE	SIZE CODE	NUMBER	REV
TS11 IN H9546 CAB	B DD	7017058-0	D

SHEET 2 OF 3

ML2

FIND NO.	DRAWING NO.	DESCRIPTION	TYPE	FIND NO.	DRAWING NO.	DESCRIPTION	TYPE			
1	D-AD-7017058-0-0	TS11 IN H9546 CAB	E/M							
	K-PL-7017058-0-DBP	TS11 IN H9546 CAB	E/M							
	D-AR-7017058-0-1	CONFIGURATION CONTROL								
	C-IA-7008288-0-0	CABLE ASSY	E/M							
	A-PS-3613210-0-0	LABEL, SERIAL TAG								
	C-MD-7422937-0-0	CHANNEL STANDOFF								
	D-MD-742215-0-0	BRACKET HORIZONTAL SUPPORT								
	A-SP-3617250-0-0	LABEL CAUTION								
	A-DC-7416197-0-0	LABEL UL								
	A-PS-3613211-0-0	LABEL CSA								
	D-MD-7422059-0-0	FRAME SUPPORT								
2	B-DD-H9546-0	CABINET ASSY	M							
3	B-DD-TS11-A-0	DRIVE AND FRAME ASSY	E/M							
4	B-DD-874-0	POWER CONTROL	E/M							
5	B-DD-H9544-L	TOP COVER	M							
6	B-DD-H9544-H	LEVELING SET	M							
TYPE: E ELECTRICAL M MECHANICAL E/M ELECTRO/MECHANICAL				TITLE TS11 IN H9546 CAB		SHEET 3 OF 3		SIZE CODE NUMBER B DD 7017058-0		REV C



ML2

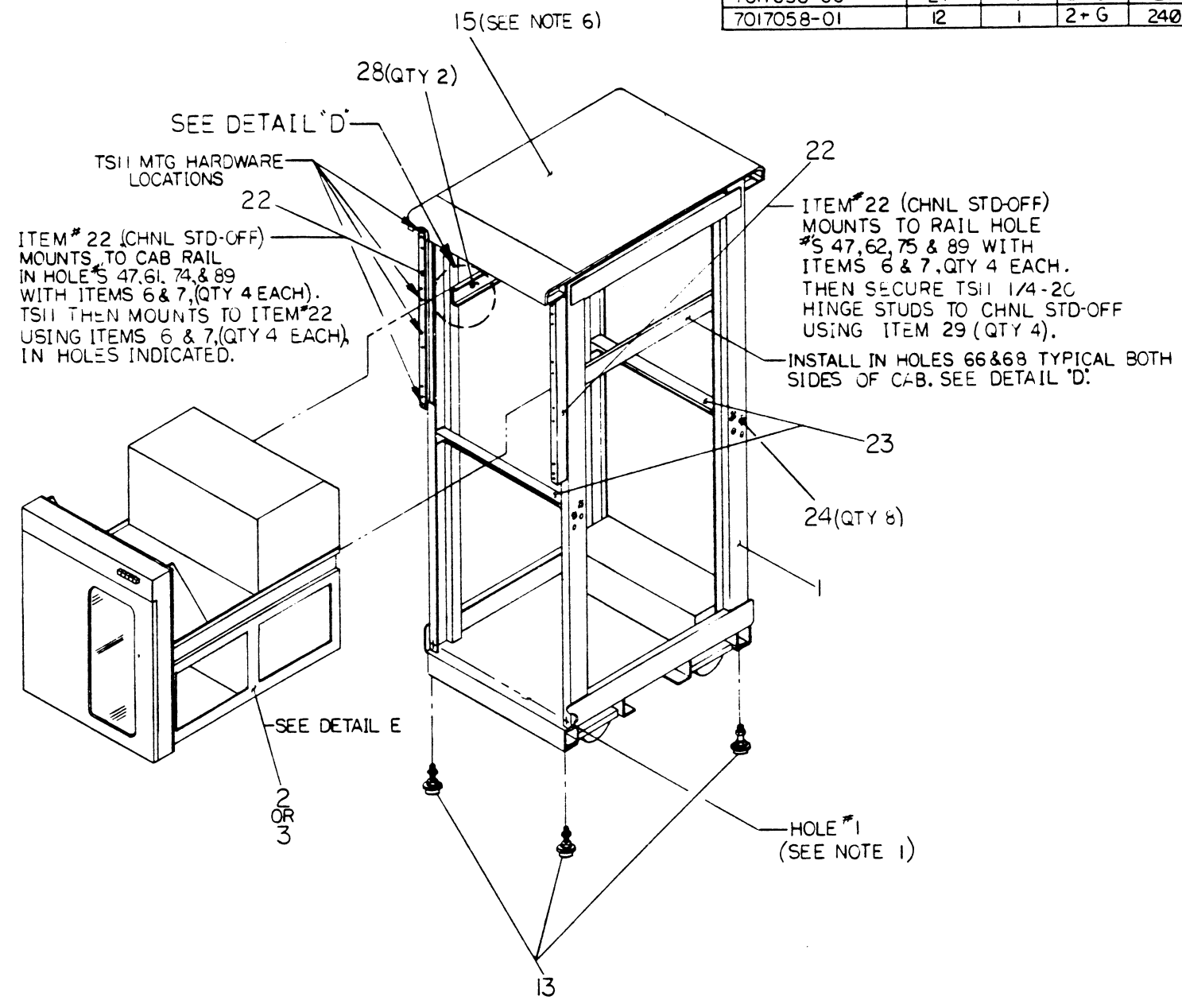
THE DIMENSIONS AND SPECIFICATIONS HEREIN ARE THE PROPERTY OF DIGITAL EQUIPMENT CORPORATION AND SHALL NOT BE REPRODUCED OR COPIED OR USED IN WHOLE OR IN PART AS THE BASIS FOR THE MANUFACTURE OR SALE OF ITEMS WITHOUT WRITTEN PERMISSION.
COPYRIGHT © 1979 DIGITAL EQUIPMENT CORPORATION

DAD 7017058-0-0

LEGEND					
MODEL/PART NO	AMPS	PHASE	WIRE	VOLTS	FREQ-HZ
7017058-00	24	1	2+G	120	50 / 60
7017058-01	12	1	2+G	240	50 / 60

NOTES:

- ALL HOLE LOCATIONS ARE FROM BOTTOM OF CAB, WITH THE FIRST HOLE BEING HOLE #1.
- CONTROL MODULE AND INTERFACE CABLE ARE SUPPLIED WITH ITEM 2 OR 3. THE SLOT LOCATION FOR THE CONTROL MODULE TO BE DETERMINED AT SYSTEM LEVEL OF ASSEMBLY.
- INFORMATION FOR IDENTIFICATION LABEL TO BE OBTAINED FROM LEGEND.
- ITEM 17 TO JUNCTION OF TV/D LOCATION) OF 874 POWER CONTROL. OTHER END OF CABLE TO BE DETERMINED AT SYSTEM LEVEL OF ASSEMBLY.
- FOR CONFIGURATION CONTROL RULES SEE D-AR-7017058-0-1
- TOP COVER GROUND ATTACHES TO LEFT REAR RAIL HOLE #77 (SINGLE ANGLE EDGE).



REV.	BY	DATE	DESCRIPTION
1	ML001	12 DEC 1979	REVISED TO ADD 13
2	R. A. NELSON	11-15-80	REVISED TO ADD 15
3	R. A. NELSON	9-7-79	REVISED TO ADD 23
4	R. A. NELSON	9-7-79	REVISED TO ADD 24
5	R. A. NELSON	9-7-79	REVISED TO ADD 28
6	R. A. NELSON	9-7-79	REVISED TO ADD 15
7	R. A. NELSON	9-7-79	REVISED TO ADD 25
8	R. A. NELSON	9-7-79	REVISED TO ADD 26

FOR PARTS LIST SEE K-PL-7017058-0-DBP

DESCRIPTION	DRAWING NO.	PART NO.	ITEM NO.
UNLESS OTHERWISE SPECIFIED DIMENSIONS ARE IN INCHES AND THE FOLLOWING TOLERANCES APPLY (PER DEC STD 114)			
INCHES TOLERANCES	APPLICABLE DIMENSION RANGE	OVER	TO
	SURFACE QUALITY	± .004	± .008
ANGLES	APPLICABLE DIMENSION RANGE	OVER	TO
	SURFACE QUALITY	± .004	± .008
MICROINCHES	APPLICABLE DIMENSION RANGE	OVER	TO
	SURFACE QUALITY	± .004	± .008

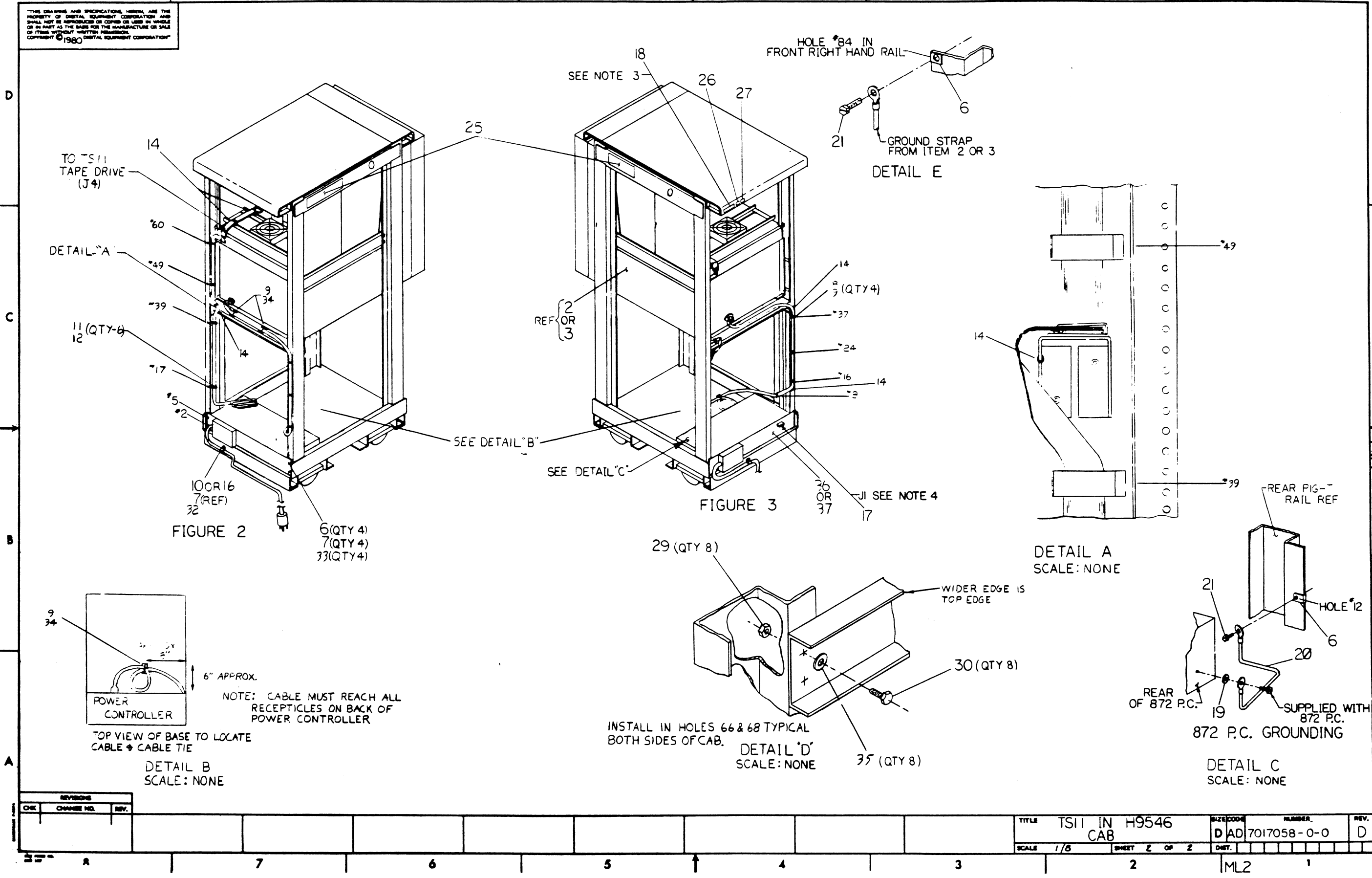
THIRD ANGLE PROJECTION	DESIGNED BY H. GREKULA	DATE 15 JUNE 79	TITLE
DO NOT SCALE DRAWING	CHECKED BY F.H. KEYES JR.	DATE 20 OCT 79	TSII IN H9546 CAB
REMOVE BURRS AND BREAK SHARP CORNERS	DRAWN BY R.A. NELSON	DATE 9-7-79	
MATERIAL SEE PARTS LIST	RESP. ENG. R.A. NELSON	DATE 9-7-79	
FINISH	APP. ENG. J. SOUSA	DATE 9-7-79	
	NEXT HIGH-DRAWING	B-DD-7017058-0	

DOCUMENT NUMBER: DAD 7017058-0-C D

SCALE: 1/8" = 1"

SHEET 1 OF 2

THIS DRAWING AND SPECIFICATIONS HEREIN ARE THE PROPERTY OF DIGITAL EQUIPMENT CORPORATION AND SHALL NOT BE REPRODUCED OR COPIED OR USED IN WHOLE OR IN PART AS THE BASIS FOR THE MANUFACTURE OR SALE OF ITEMS WITHOUT WRITTEN PERMISSION. COPYRIGHT © 1980 DIGITAL EQUIPMENT CORPORATION



TO TS11 TAPE DRIVE (J4)

HOLE #84 IN FRONT RIGHT HAND RAIL
GROUND STRAP FROM ITEM 2 OR 3
DETAIL E

DETAIL "A"

FIGURE 2

FIGURE 3

DETAIL A
SCALE: NONE

DETAIL B
SCALE: NONE

DETAIL "D"
SCALE: NONE

DETAIL C
SCALE: NONE

NOTE: CABLE MUST REACH ALL RECEPTICLES ON BACK OF POWER CONTROLLER

INSTALL IN HOLES 66 & 68 TYPICAL BOTH SIDES OF CAB.

REAR OF 872 P.C.
872 P.C. GROUNDING
SUPPLIED WITH 872 P.C.

REVISIONS		
CHK	CHANGE NO.	REV.

TITLE	TS11 IN H9546 CAB	SIZE/DOC	DAD 7017058-0-0	NUMBER		REV.	D
SCALE	1/8	SHEET	2 OF 2	DIST.			

ML2

LINE	ITEM	DOCUMENT NUMBER	PART NUMBER	DESCRIPTION	QUANTITY PER VARIATION	
					00	01
1	1	E-UA-H9546-F-0	H9546-FB	60" CROSS PRODUCTS CAB FRAME ASS	1	1
2	2	E-UA-TS11-A-0	OTS11-AA	TS04-AA & TS11 45IPS NRZI MAGTAP	1	-
3	3	E-UA-TS11-A-0	OTS11-AB	TS04-AB 25FT. SERIAL CABLE,M7982	-	1
4	4	E-UA-872-0-0	00872-B	*** THIS ITEM IS NOT USED ***	-	-
5	5	E-UA-872-0-0	00872-B	*** THIS ITEM IS NOT USED ***	-	-
6	6		9007786-00	RETAINER, U-NUT, 10-32	18	18
7	7		9009700-00	SCREW,SEMS TRUSS PHIL 10-	17	17
8	8		9007867-00	MOUNT, PUSH,CABLE TIE	4	4
9	9		9007031-00	TIE,CABLE BUNDL.DIA 0- 3/4"=101	7	7
10	10		9007082-00	CLAMP,CABLE,SCREW MTD. 5/16"	0	1
11	11	A-PS-1215843-0-0	1215843-00	CLIP,FLAT CABLE W/ADHESIVE BK	6	6
12	12	A-PS-1213716-0-0	1213716-01	SPACER,FOAM 1/2	6	6
13	13	E-UA-H9544-H-0	H9544-HB	KIT OF 4 LEVELERS	1	1
14	14		9009718-01	GROMMET,STRIP STYRENE	5	5
15	15	E-UA-H9544-L-0	H9544-LB	TOP COVER,SINGLE WIDTH 60" CAB	1	1
16	16		9007087-00	CLAMP,CABLE,SCREW MTD. 5/8 "	1	0
17	17	C-IA-7008288-0-0	7008288-3F	CABLE ASSY	1	1
18	18	A-PS-3617674-0-0	3617674-00	LABEL,SERIAL & POWER,UNIVERSAL	1	1
19	19		9007651-00	WASHER,LOCK EXTERNAL STEEL	1	1
20	20	A-PS-1213756-0-0	1213756-07	GROUND STRAP	1	1
21	21		9010136-00	SCREW,SEMS HEX 10-	2	2
22	22	C-MD-7422937-0-0	7422937-00	CHANNEL,STANDOFF	2	2
23	23	D-MD-7422215-0-0	7422215-00	BRACKET HORIZONTAL SUPPORT (SING	2	2
24	24		9009595-00	RIVET,BLIND DOMF 0.250DX0.500	8	8
25	25	A-PS-3617250-0-0	3617250-00	LABEL,CAUTION,STABILITY H9542	2	2
26	26	A-DC-7416197-0-0	7416197-01	DECAL	1	1
27	27	A-PS-3613211-0-0	3613211-01	DECAL,CLEAR PREPRINTED CSA 1-1/4	1	1
28	28	D-MD-7422059-0-0	7422059-00	FRAME SUPPORT	2	2
29	29		9008203-00	NUT,KEP 1/4-20X 7/16AF	12	12
30	30		9006242-09	SCREW,MACH HEX PLN 1/4-	8	8

REVISION HISTORY			BASIC PART NO: 7017058			D I G I T A L			
ENG	ECD NUMBER	REV	SECTION A OF A	DRN:	P. TESLA	DATE:	14-SEP-79	TITLE	PARTS LIST
	INITIAL	A	SECTION. VARIATION INDFX	CHK'D:	F. H. KEYES	DATE:	15-SEP-79	TS11 IN H9546 CAB	
DRN	TS11-C-ML001	B	[A] 00,01	DES.ENG.:	R. NELSON	DATE:	14-SEP-79	DOCUMENT NUMBER	
D.N	TS11-C-ML002	C	[C]	RESP.ENG.:	R. NELSON	DATE:	14-SEP-79	SIZE	CODE
JB	7017058-ML001	D	[D]	MFG.ENG.:	J. SOUZA	DATE:	14-SEP-79	K	PL
			[E]	ASSEMBLY NUMBER:		TOP DOCUMENT NUMBER:		7017058-0-DBP	
			[F]	D-AD-7017058-0-0		B-DD-7017058-0-0		FILE NAME:	EDIT #
								Z0929D.FLS	25

*THIS DRAWING AND SPECIFICATIONS HEREIN, ARE THE PROPERTY OF DIGITAL EQUIPMENT CORPORATION AND SHALL NOT BE REPRODUCED OR COPIED OR USED IN WHOLE OR IN PART AS THE BASIS FOR THE MANUFACTURE OR SALE OF ITEMS WITHOUT WRITTEN PERMISSION. COPYRIGHT (C) 1982. DIGITAL EQUIPMENT CORPORATION *

LAUTOMATED BY PRTLST.3L(36)

P A R T S L I S T

SHEET A2 OF A2

2

LINE	ITEM	DOCUMENT NUMBER	PART NUMBER	DESCRIPTION	QUANTITY PER VARIATION	
					00	01
31	31		9007792-00	*** THIS ITEM IS NOT USED ***	-	-
32	32		9006664-00	WASHER,FLAT SST	1	1
33	33		9006668-00	WASHER,FLAT SST	4	4
34	34		9008264-00	MOUNT, CABLE TIE, ADHESIVE BACKE	3	3
35	35		9008415-00	WASHER,FLAT SST	8	8
36	36	E-UA-874-0-0	00874-D	120V 24A FILTERED POWER CONT,6 S	1	-
37	37	E-UA-874-0-0	00874-B	220-240V 12A FILTERED PWR CONT,6	-	1

D	I	G	I	T	A	L	TITLE	SECTION A OF A	SIZE	CODE	DOCUMENT NUMBER	REV
							TS11 IN H9546 CAB		K	PL	7017058-0-DRP	D

"THE MATERIAL HEREIN IS FOR INFORMATION PURPOSES ONLY AND IS SUBJECT TO CHANGE WITHOUT NOTICE. DIGITAL EQUIPMENT CORPORATION ASSUMES NO RESPONSIBILITY FOR ANY ERRORS WHICH MAY APPEAR HEREIN."

FIELD MAINTENANCE PRINT SET

"THIS DRAWING AND SPECIFICATIONS, HEREIN, ARE THE PROPERTY OF DIGITAL EQUIPMENT CORPORATION AND SHALL NOT BE REPRODUCED OR COPIED OR USED IN WHOLE OR IN PART AS THE BASIS FOR THE MANUFACTURE OR SALE OF ITEMS WITHOUT WRITTEN PERMISSION. COPYRIGHT © 1979 DIGITAL EQUIPMENT CORPORATION."

TABLE OF CONTENTS

B-TC-TS11-A-Ø1
 B-DD-TS11-A
 B-PL-TS11-A-Ø
 B-DD-M7982-Ø
 D-UA-M7982-Ø-Ø*
 D-CS-M7982-Ø-1
 K-PL-M7982-Ø-DBP
 MP848

UNIT VARIATIONS COVERED BY THIS PRINT SET
TS11-AA
TS11-AB

TS11-A
**Field Maintenance
 Print Set**

**Digital Equipment
 Corporation**
 PRINT SET ORDER
 NO. MP00849

REVISIONS	REV.								digital								
	CHG. NO.									TITLE: FIELD MAINTENANCE PRINT SET (TS11-A)							
	DATE									<table border="1" style="width: 100%;"> <tr> <td>SIZE B</td> <td>CODE TC</td> <td>NUMBER TS11-A-01</td> <td>REV.</td> </tr> <tr> <td>DIST.</td> <td></td> <td></td> <td></td> </tr> </table>	SIZE B	CODE TC	NUMBER TS11-A-01	REV.	DIST.		
SIZE B	CODE TC	NUMBER TS11-A-01	REV.														
DIST.																	

ENR 11110-123

SHEET 1 OF 1

DRN. G. Marini	DATE 3/20/79
CHK'D <i>[Signature]</i>	DATE 7/28/79
PROJ. ENG. M. Lucini	DATE 7/19/79
FIELD SERV. S. Linkins	DATE 7/19/79

"THE MATERIAL HEREIN IS FOR INFORMATION PURPOSES ONLY AND IS SUBJECT TO CHANGE WITHOUT NOTICE. DIGITAL EQUIPMENT CORPORATION ASSUMES NO RESPONSIBILITY FOR ANY ERRORS WHICH MAY APPEAR HEREIN."

DRAWING DIRECTORY

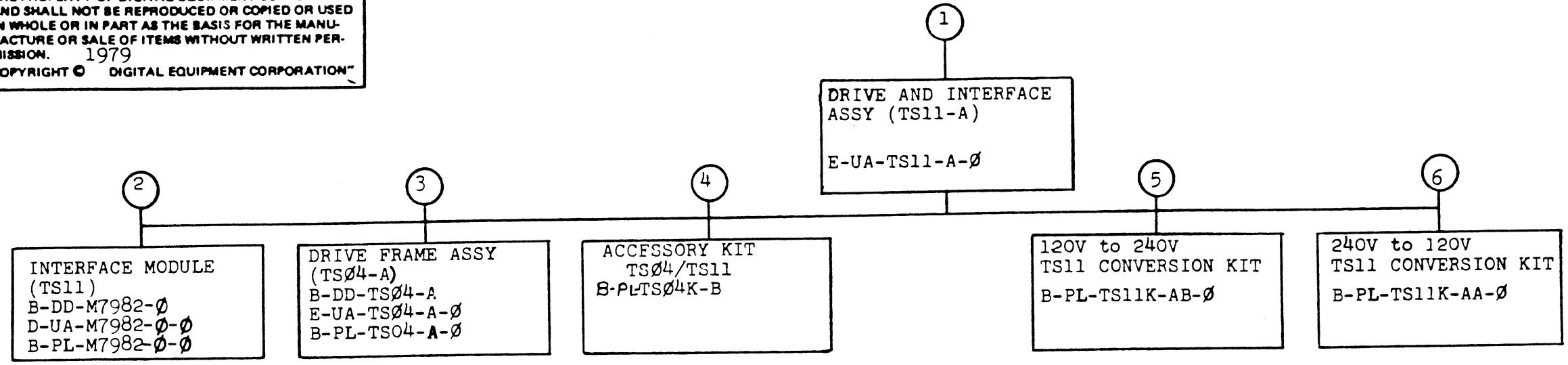
"THIS DRAWING AND SPECIFICATIONS, HEREIN, ARE THE PROPERTY OF DIGITAL EQUIPMENT CORPORATION AND SHALL NOT BE REPRODUCED OR COPIED OR USED IN WHOLE OR IN PART AS THE BASIS FOR THE MANUFACTURE OR SALE OF ITEMS WITHOUT WRITTEN PERMISSION. COPYRIGHT © 1979 DIGITAL EQUIPMENT CORPORATION."

FOR TABLE OF CONTENTS LISTING REFER TO DRAWING NO. B-TC-TS11-A-01

UNIT VARIATIONS	
VAR	TITLE
TS11-AA	DRIVE AND INTERFACE ASSY (TS11-A) 120V
TS11-AB	DRIVE AND INTERFACE ASSY (TS11-A) 240V

REVISIONS	REV.		USED ON OPTION/MODEL			DRN.	DATE	TITLE DRAWING DIRECTORY (TS11-A) digital							
	CHANGE NO.		TS11-B	G. Marini	3/20/79										
	CHK		TS11-D	CHK'D. <i>Robert Hembly</i>	DATE 5/18/79										
				PROJ. ENG. <i>M. Cucina</i>	DATE 7/19/79										
				PROD. <i>T. Wing</i>	DATE 7/18/79	SIZE	CODE	NUMBER	REV						
			SHEET 1 OF 3		B	DD	TS11-A		DIST.						

"THIS DRAWING AND SPECIFICATIONS, HEREIN, ARE THE PROPERTY OF DIGITAL EQUIPMENT CORPORATION AND SHALL NOT BE REPRODUCED OR COPIED OR USED IN WHOLE OR IN PART AS THE BASIS FOR THE MANUFACTURE OR SALE OF ITEMS WITHOUT WRITTEN PERMISSION. 1979
 COPYRIGHT © DIGITAL EQUIPMENT CORPORATION"



DIGITAL EQUIPMENT CORPORATION PARTS LIST

MADE BY G. Marini	CHECKED <i>Thomson</i>	SECTION
DATE 3-12-79	DATE 2/18/79	
ENG <i>M. Cucini</i>	PROD <i>T. Wright</i>	ISSUED SECTION
DATE 7/19/79	DATE 7/18/79	

QUANTITY / VARIATION

NOTES: INSTALL CABLE (ITEM #3) TO CONN-
J4MB FOUND ON MOTHER BD
(PART OF TS04-A) AND TO CONN FOUND ON
M7982-0 INTERFACE MODULE (ITEM #4)

ITEM NO.	DRAWING NO.	PART NO.	DESCRIPTION	TS11-AA (120V)	TS11-AB (240V)												REF DESIGNATION
1	E-UA-TS04-A-0	TS04-AA	DRIVE AND FRAME ASSY	1	---												
2	E-UA-TS04-A-0	TS04-AB	DRIVE AND FRAME ASSY	---	1												
3	D-1A-7014094-0-0	7014094-ME	CABLE 25' (INTERFACE CABLE)	1	1												
4	E-UA-M7982-0-0	M7982-0	INTERFACE MODULE (TS11)	1	1												
5	B-PL-TS11K-AA-0	TS11K-AA	240V to 120V TS11 CONVERSION KIT	---	REF												
6	B-PL-TS11K-AB-0	TS11K-AB	120V to 240V TS11 CONVERSION KIT	REF	---												
7	B-PL-TS04K-B-0	TS04K-B	ACCESSORY KIT TS04/TS11	1	1												
8	A-PS-3612063-0-0	3612063-00	TAG..UL (RECOGNIZED)	1	1												
9	A-PS-3613210-0-0	3613210-00	LABEL (IDENTIFICATION)	1	1												
10	A-PS-3616410-0-0	3616410-00	DIGITAL TS-11 LOGO	1	1												

E.C.O. NO.
ML001

"THIS DRAWING AND SPECIFICATIONS, HEREIN, ARE THE PROPERTY OF DIGITAL EQUIPMENT CORPORATION AND SHALL NOT BE REPRODUCED OR COPIED OR USED IN WHOLE OR IN PART AS THE BASIS FOR THE MANUFACTURE OR SALE OF ITEMS WITHOUT WRITTEN PERMISSION. COPYRIGHT © 1979 DIGITAL EQUIPMENT CORPORATION"

TITLE **DRIVE AND INTERFACE ASSY (TS11-A)**

ASSY NO. NEXT HIGHER ASSY
B-DD-TS11-A

SIZE	CODE	NUMBER
B	PL	TS11-A-0

REV. **A**

SHEET 1 OF 1

INSERTION PARTS LIST DATA BASE REV

REV. A
NUMBER M7982-0
SIZE B
CODE DD

DRAWING NO.	NO. OF SHTS.	PART NO.	DESCRIPTION	REVISIONS	
				REV.	SIZE
B-DD-M7982-0	1		M7982 DRAWING DIRECTORY	*	A
D-TA-M7982-0-0	6		M7982 UNIT ASSEMBLY	C	D
K-PL-M7982-0-DBP	-		M7982 PARTS LIST DATA BASE	C	D
D-CS-M7982-0-1	12		UNIBUS TO SERIAL BUS CONTROLLER	C	D
D-FD-M7982-0-2	3		M7982 CONTROL FLOWS	*	*
D-TD-M7982-0-3	3		M7982 TIMING DIAGRAMS	*	*
A-SP-M7982-0-4	18		M7982 ENGINEERING SPEC.	*	*
D-BD-M7982-0-5	1		M7982 BLOCK DIAGRAM	*	*
D-MD-5012174-0/0	6		M7982 DRILL & ETCH DWG.	C	C
K-PC-M7982-0-DBC	-		M7982 P.C. DESIGN DATA BASE	A	A
		5012174	M7982 ETCHED CIRCUIT BOARD	D	D

NOTES:

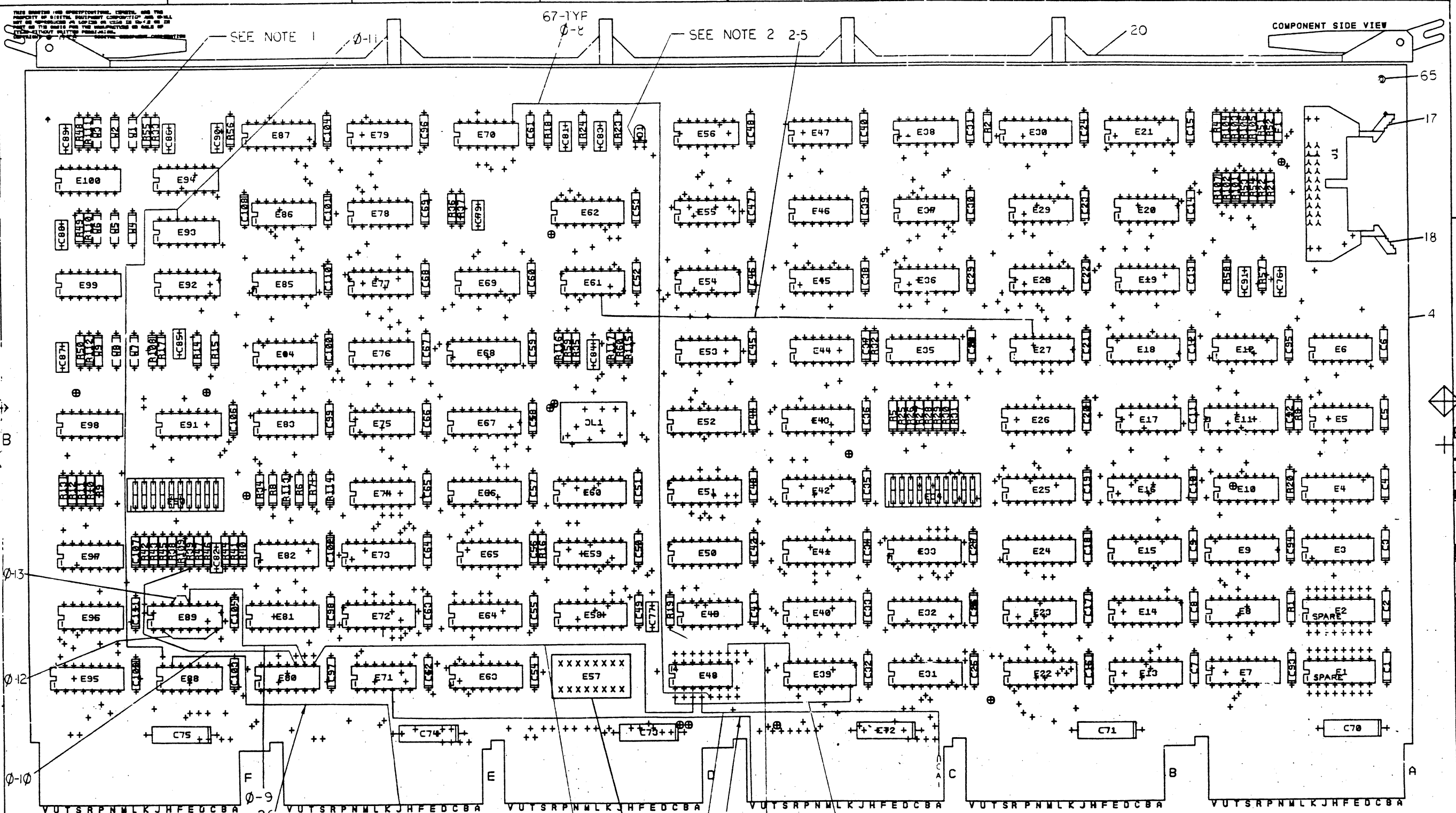
REVISIONS	DATE	CHG NO.	REV.	USED ON OPTION/MODEL	DRN.	CHK'D	ENG.	PROD.	DATE	TITLE
	11-79	ML002	A							

"THIS DRAWING AND SPECIFICATIONS, HEREIN, ARE THE PROPERTY OF DIGITAL EQUIPMENT CORPORATION AND SHALL NOT BE REPRODUCED OR COPIED OR USED IN WHOLE OR IN PART AS THE BASIS FOR THE MANUFACTURE OR SALE OF ITEMS WITHOUT WRITTEN PERMISSION.
COPYRIGHT © 1978 DIGITAL EQUIPMENT CORPORATION



USED ON OPTION/MODEL	TS11	DRN. R. TREMBLAY	2/21/78	TITLE	UNIBUS TO SERIAL BUS CONTROLLER
		CHK'D R. TREMBLAY	2/22/78	SIZE CODE	B DD
		ENG. Paul Hingeborn	1/8/79	NUMBER	M7982-0
		PROD. Peter Babon	1-17-79	REV.	A
				SHEET 1	OF 1

THIS DRAWING IS UNCLASSIFIED, EXCEPT FOR THE
 SECURITY OF AIR FORCE RESEARCH AND DEVELOPMENT
 ACTIVITY AND THE RIGHTS OF THE MANUFACTURER AS SHOWN IN
 THIS DRAWING. ALL OTHER INFORMATION IS UNCLASSIFIED.



NOTES: 1. R101 THRU R108 AND
 R110 THRU R117 ARE OPTIONAL. DO
 NOT INSTALL: W1, W3, W5 THRU W8 &
 F1 ALSO.
 2. THIS IS FLAT SIDE OF LED.
 3. FOR REWORK, SEE SHEETS 1, 2, 5 & 6
 OF THIS DWG.

CHANGE NO	REV	DATE	BY	CHK'D
1	1	1/17/77	P. KINZELMAN	
2	1	1/17/77		

ETCH REV. 0-P2	DATE	BY	CHK'D
P.C. DESIGN DATA BASE REV. DL2 & DM2			

SIGNATURES	DATE
DRN. [Signature]	1/17/77
CHK'D [Signature]	1/17/77
ENG. [Signature]	1/17/77
PROJ. ENG. [Signature]	1/17/77
PROD. [Signature]	1-17-77

digital		TITLE UNIBUS TO SERIAL BUS CONTROLLER	
SCALE 2:1	SHT. 1 OF 6	SIZE CODE	NUMBER
		0 U/A	M7982-0-0
NEXT HIGHER ASSY. 8-00-M7982-0		REV	D

L1

7

6

5

4

3

D UA M7982-0-0 2

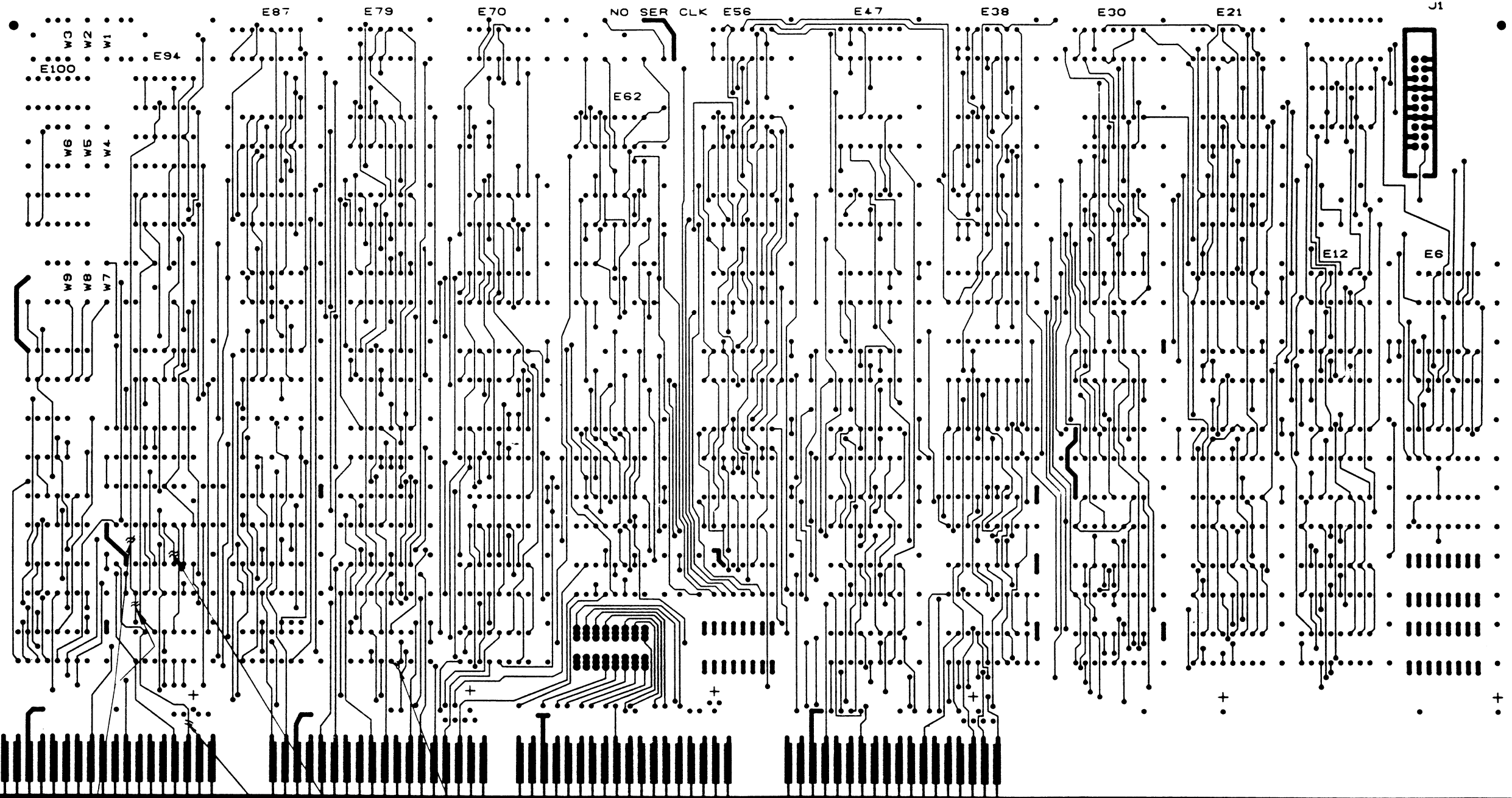
1

M7982 50121740-P2 LAYER 1

CS*ABCDEFGHIJKLMNPRS

SIDE 1

digital J1



A

Ø-1

-2-2

-2-1

-2-1

A

8

7

6

5

4

3

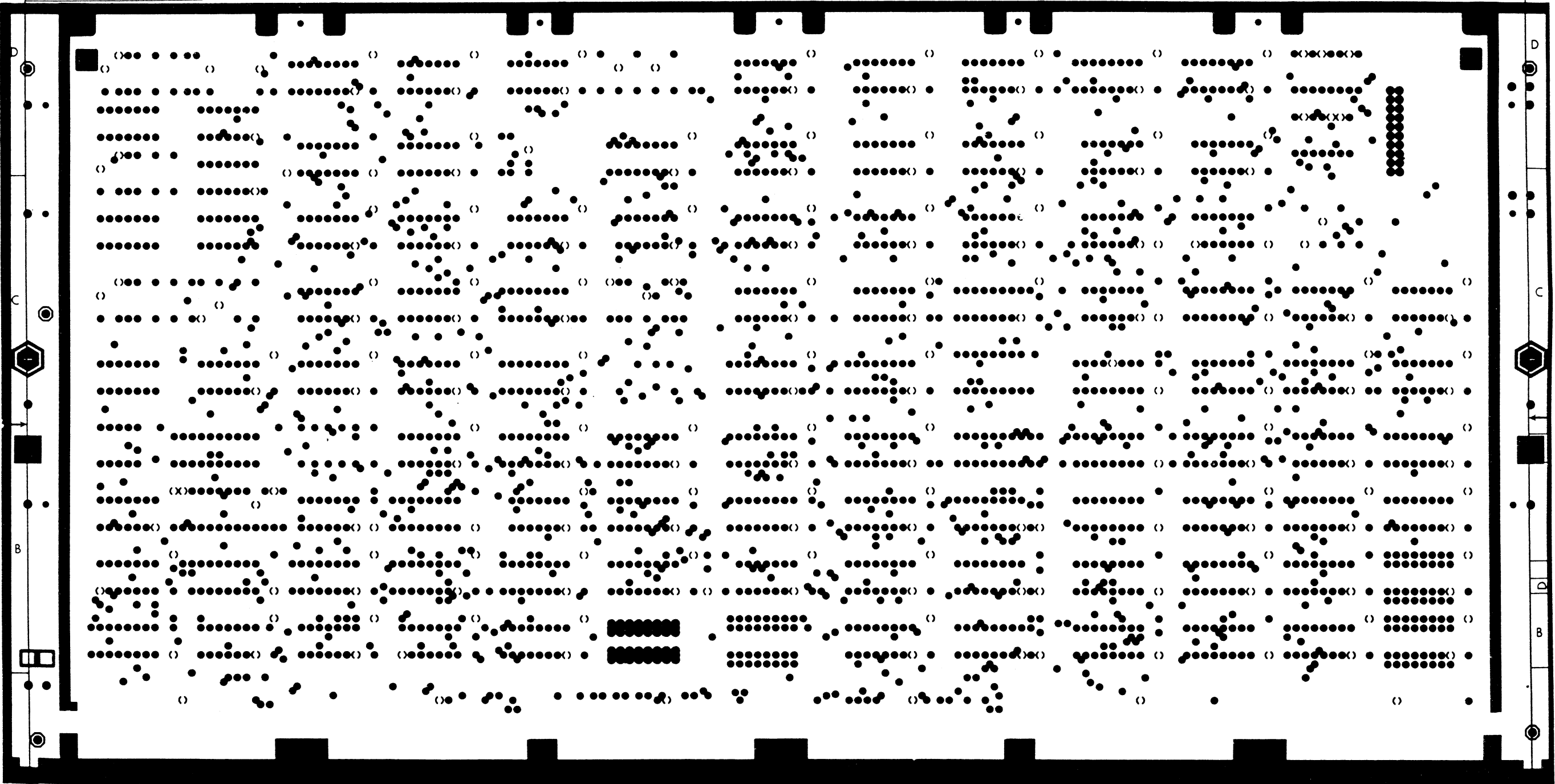
2

1

UNIBUS TO SERIAL BUS CONTROLLER						REV	DATE	BY	CHKD
						D UA	M7982-0-0	D	
2/	2	6							

M7982 50121740-P LAYER 12

C1978



8

7

6

5

4

3

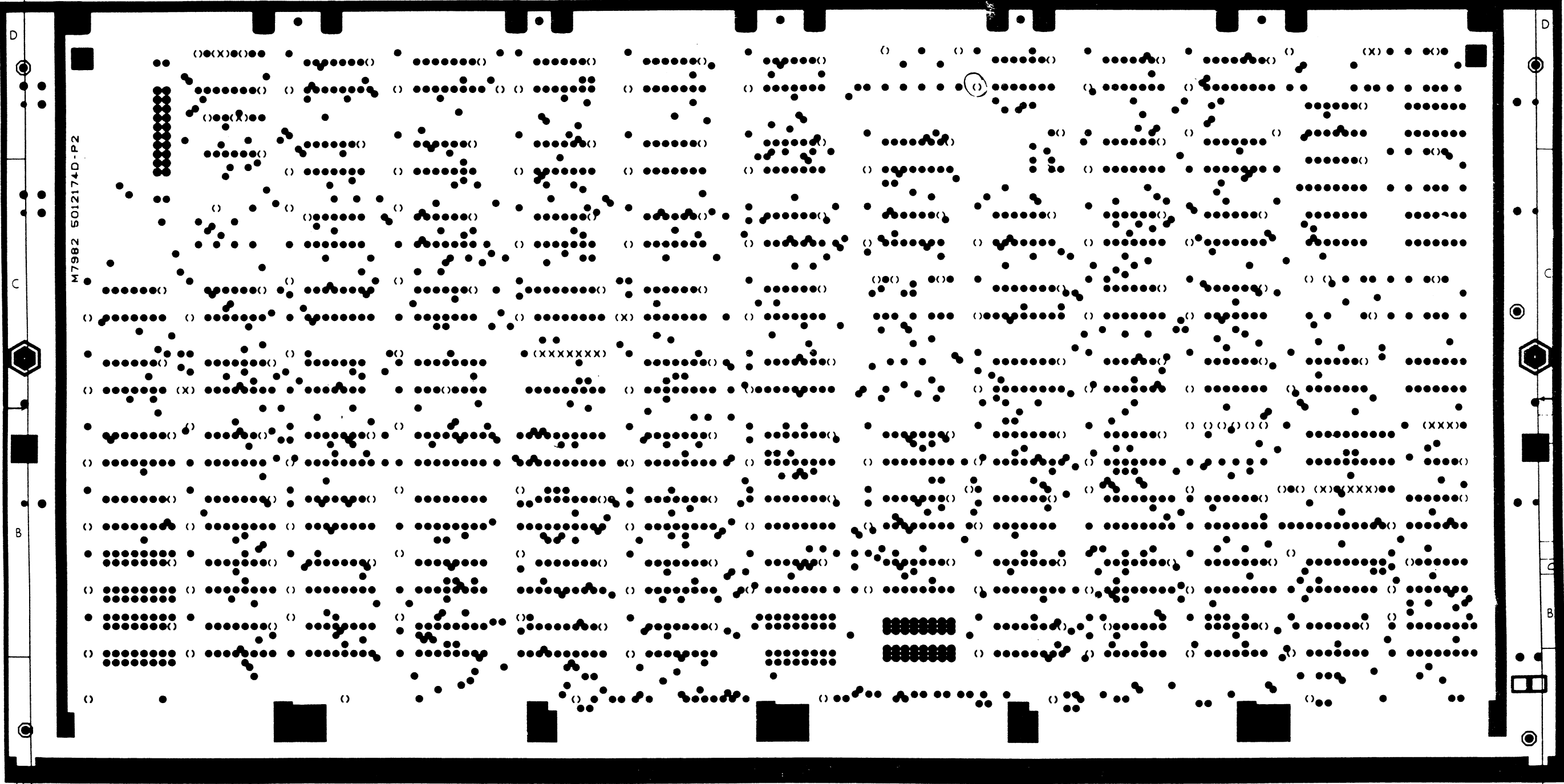
D U A M7982-0-0 D 2

1

E 834AJ

37

M7982 5012174D-P2



UNIBUS TO SERIAL BUS CONTROLLER				D U A	M7982-0-0	D
2/1	4	6				

8

7

6

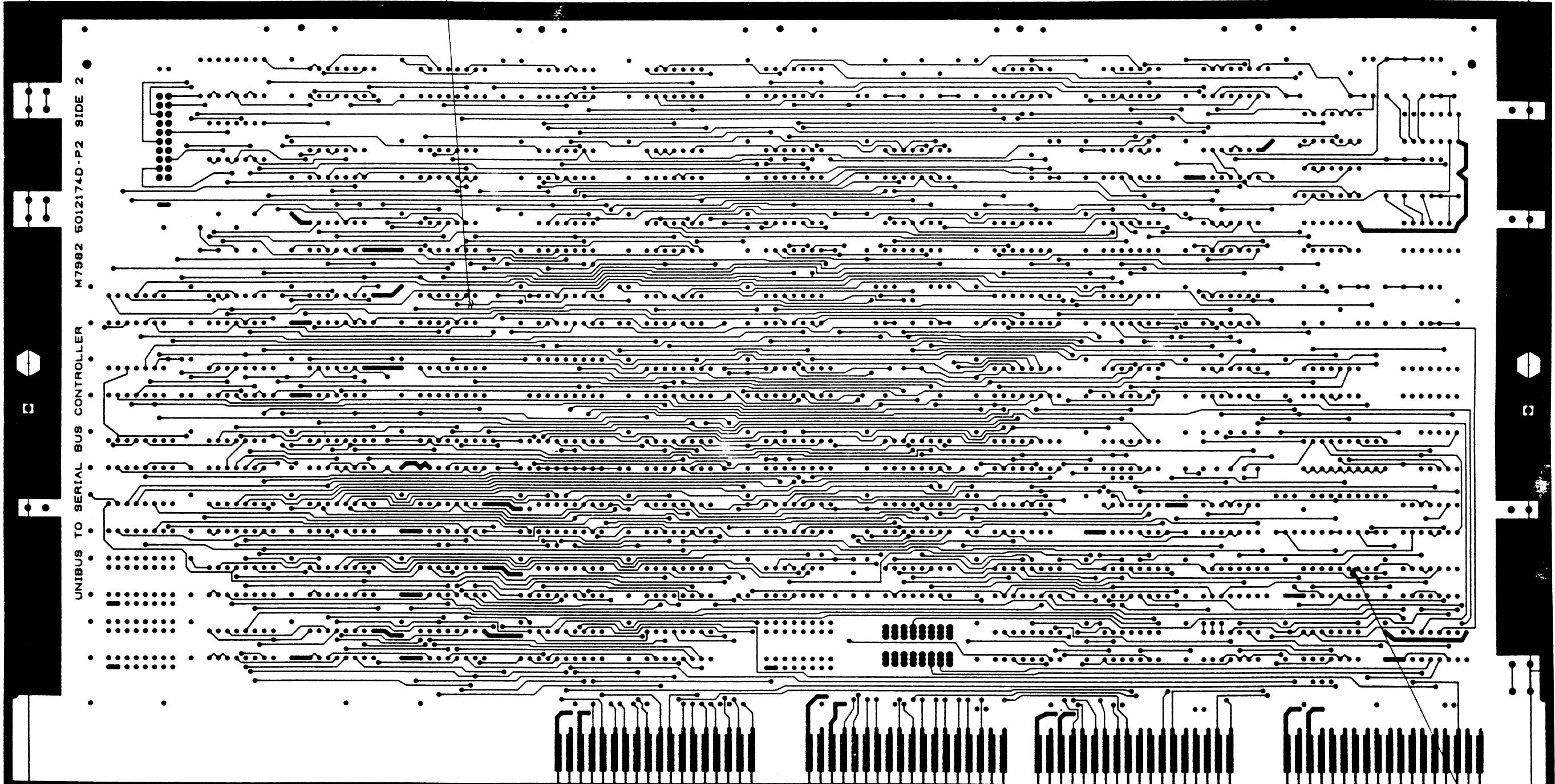
5

4

3

2

1



UNIBUS TO SERIAL BUS CONTROLLER

M7982 6012174D-P2 SIDE 2

THIS DRAWING AND SPECIFICATIONS HEREIN ARE THE PROPERTY OF DIGITAL EQUIPMENT CORPORATION AND SHALL NOT BE REPRODUCED OR COPIED OR USED IN WHOLE OR IN PART AS THE BASIS FOR THE MANUFACTURE OR SALE OF ITEMS WITHOUT WRITTEN PERMISSION. COPYRIGHT © 1978 DIGITAL EQUIPMENT CORPORATION

FIRST RELEASE

ETCH CUTS, SIDE 1:

- Ø-1. CUT ETCH AWAY FROM E89-2 (BOTH SIDES).
- Ø-2. CUT ETCH AWAY FROM E89-11.

ETCH CUTS, SIDE 2:

- Ø-3. CUT ETCH AWAY FROM E89-14.

WIRE ADDS, SIDE 1:

- Ø-4. ADD WIRE FROM E48-1 TO E39-8.
- Ø-5. ADD WIRE FROM E48-8 TO E39-16.
- Ø-6. ADD WIRE FROM E48-3 TO E80-8.
- Ø-7. ADD WIRE FROM E48-4 TO CA1.
- Ø-8. ADD WIRE FROM E48-5 TO E70-8.
- Ø-9. ADD WIRE FROM E89-12 TO E80-9.
- Ø-10. ADD WIRE FROM E80-10 TO R39 (BOTTOM).
- Ø-11. ADD WIRE FROM PTH BELOW E89-2 TO E93-12.
- Ø-12. ADD WIRE FROM E89-2 TO E89-8.
- Ø-13. ADD WIRE FROM E89-14 TO E89-12.

ECO *2

ETCH CUTS, SIDE 1:

- 2-1 CUT ETCH BETWEEN E71-5 AND E71-6.
- 2-2 CUT ETCH AWAY FROM FC1.

ETCH CUTS, SIDE 2:

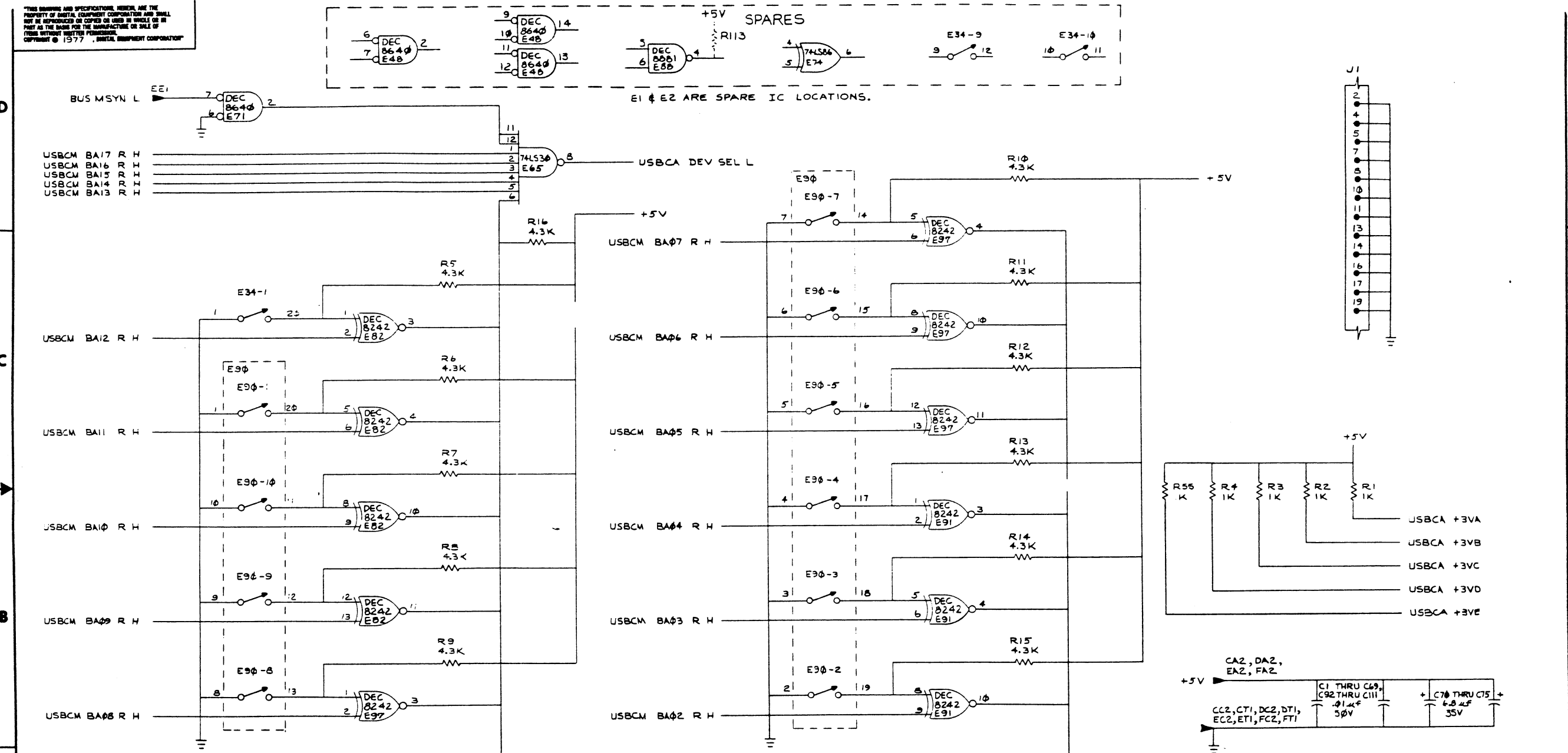
- 2-3 CUT ETCH FROM E27-12 TO GROUND. CUT AT FEEDTHROUGH NEAREST PIN 12. (ETCH FROM PIN 12 TO FEEDTHROUGH RUNS UNDER CHIP.)

WIRE ADDS SIDE 1

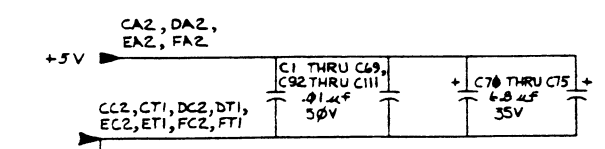
- 2-4 ADD WIRE FROM E71-5 TO CV1.
- 2-5 ADD WIRE FROM E27-12 TO E61-5.
- 2-6 ADD WIRE FROM E88-13 TO EJ1.

REVISIONS		
CHK	CHANGE NO.	REV.

THIS DRAWING AND SPECIFICATIONS, HEREIN, ARE THE PROPERTY OF DIGITAL EQUIPMENT CORPORATION AND SHALL NOT BE REPRODUCED OR COPIED OR USED IN WHOLE OR IN PART AS THE BASIS FOR THE MANUFACTURE OR SALE OF ITEMS WITHOUT THE WRITTEN PERMISSION OF DIGITAL EQUIPMENT CORPORATION © 1977.



SWITCH	BAXX	8242 OUT
ON	L	H
ON	H	L
OFF	L	L
OFF	H	H

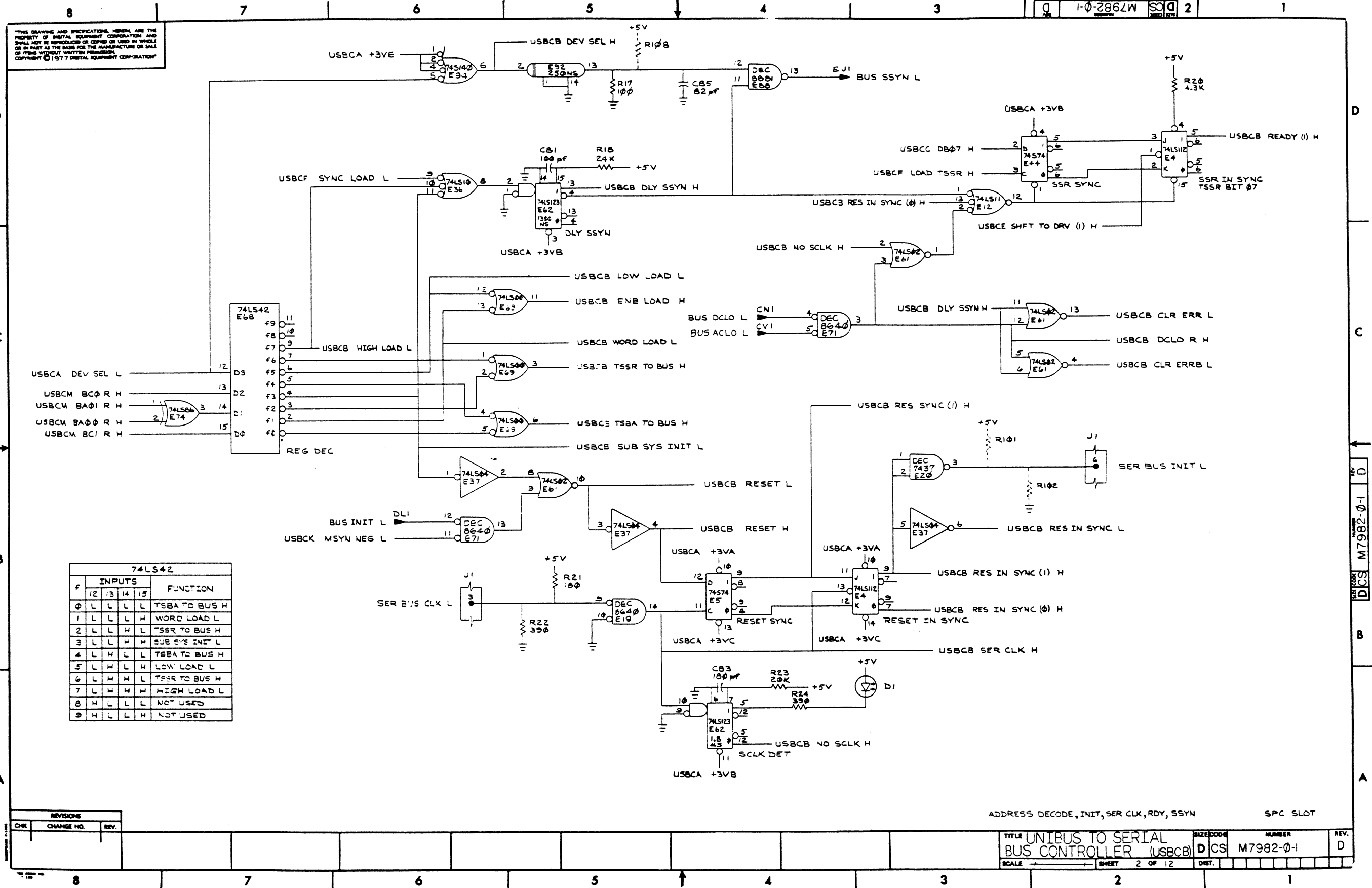


NON-STANDARD POWER CONNECTIONS:

IC TYPE	+5V	GND
DEC8640	8	1
74LS75	5	12

REV	DATE	BY	CHK'D
1	11/17/77	P. KINZELMAN	
2	11/17/77		

ADDRESS DECODE		SPC SLOT	
DRN. K. HEDGECOCK	1 MAY 77	FIRST USED ON	TS11
CHK'D		TITLE	(USBCA)
ENG'D		UNIBUS TO SERIAL BUS CONTROLLER	
PROJ. ENGR.		NUMBER	M7982-0-1
PROD. ENGR.		REV	D
NEXT HIGHER ASSY.		SCALE	1 OF 12
		SHEET	



THIS DRAWING AND SPECIFICATIONS HEREAFTER ARE THE PROPERTY OF DIGITAL EQUIPMENT CORPORATION AND SHALL NOT BE REPRODUCED OR COPIED OR USED IN WHOLE OR IN PART AS THE BASIS FOR THE MANUFACTURE OR SALE OF ITEMS WITHOUT WRITTEN PERMISSION. COPYRIGHT © 1977 DIGITAL EQUIPMENT CORPORATION.

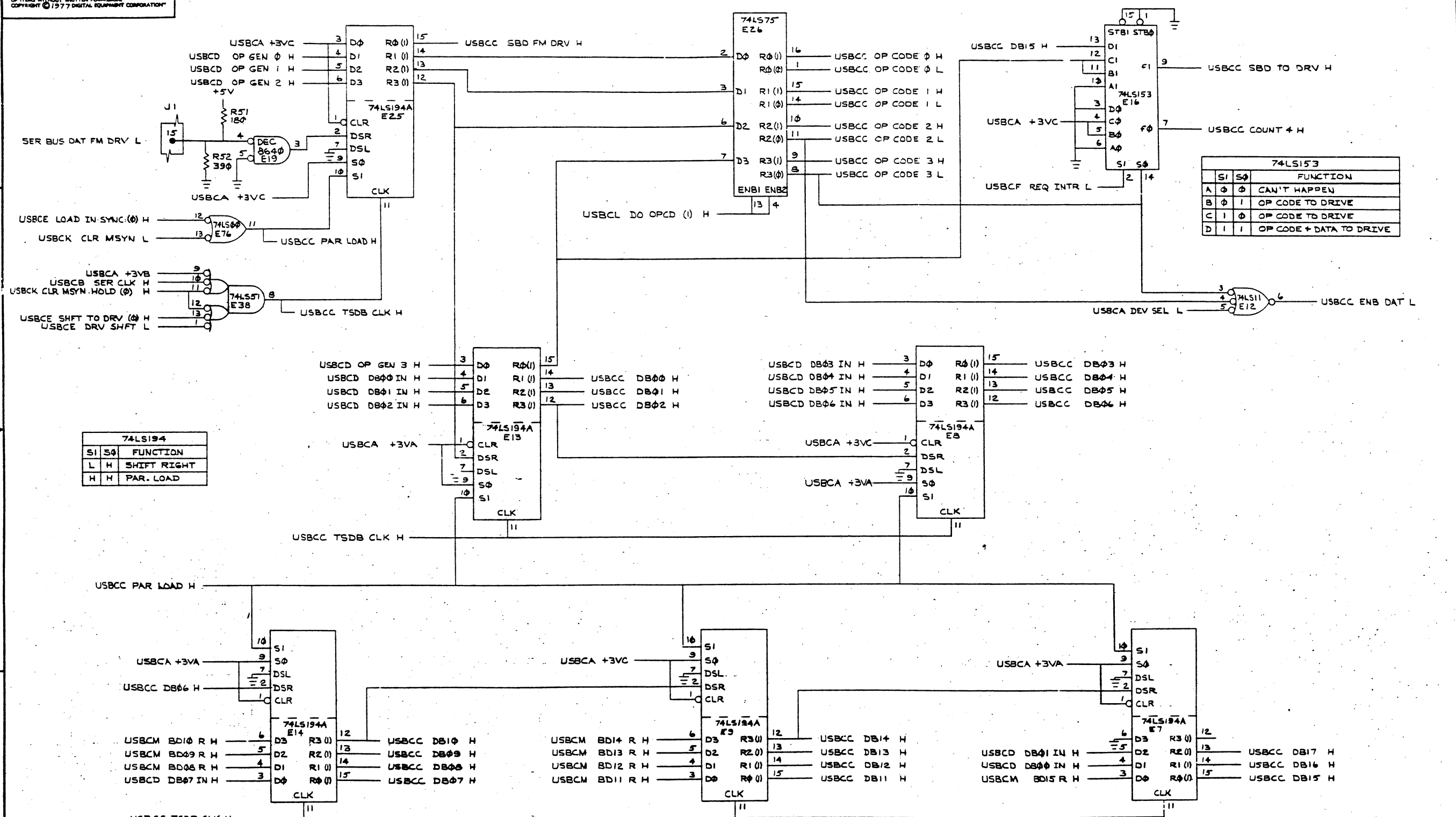
74LS42					
F	INPUTS				FUNCTION
	12	13	14	15	
0	L	L	L	L	TSBA TO BUS H
1	L	L	L	H	WORD LOAD L
2	L	L	H	L	TSSR TO BUS H
3	L	L	H	H	SUB SYS INIT L
4	L	H	L	L	TSBA TO BUS H
5	L	H	L	H	LOW LOAD L
6	L	H	H	L	TSSR TO BUS H
7	L	H	H	H	HIGH LOAD L
8	H	L	L	L	NOT USED
9	H	L	L	H	NOT USED

REVISIONS		
CHK	CHANGE NO.	REV.

ADDRESS DECODE, INIT, SER CLK, RDY, SSYN SPC SLOT

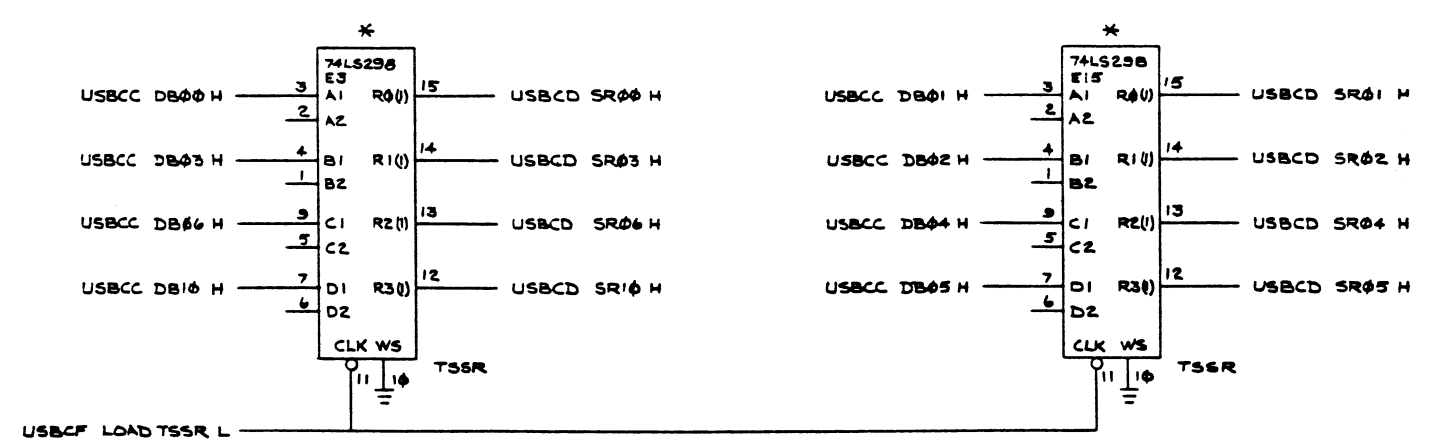
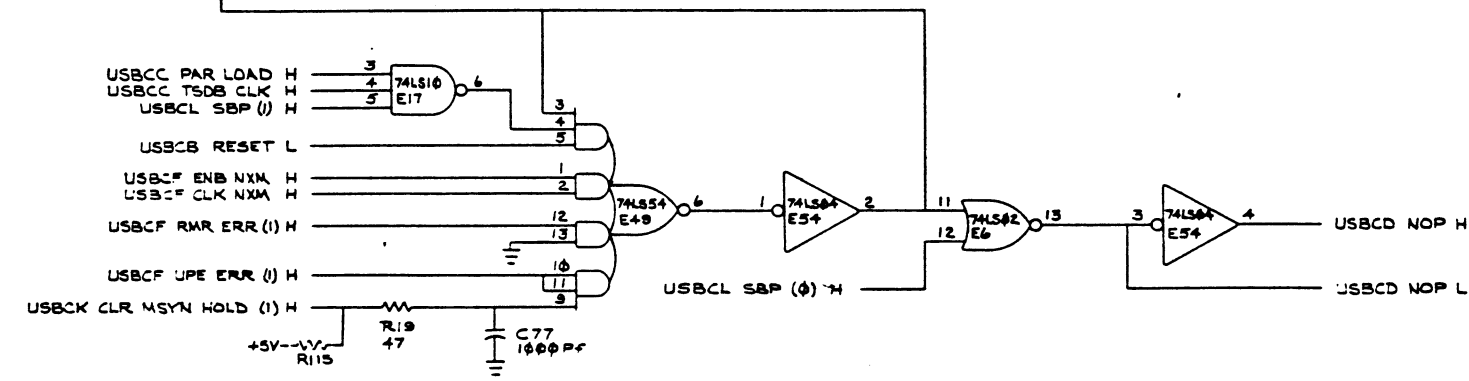
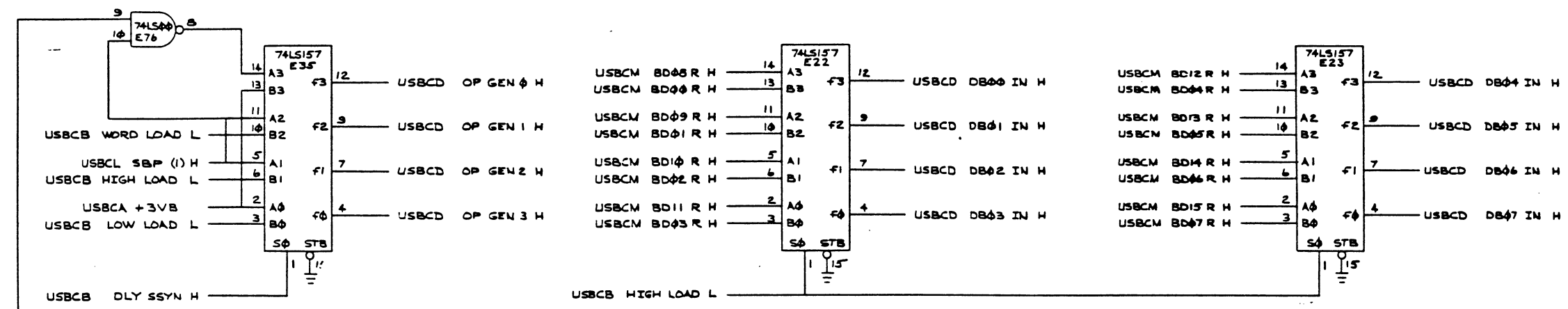
TITLE	UNIBUS TO SERIAL BUS CONTROLLER (USBCB)	SIZE CODE	D CS	NUMBER	M7982-0-1	REV.	D
SCALE		SHEET	2 OF 12	DWT.			

"THIS DRAWING AND SPECIFICATIONS HEREIN ARE THE PROPERTY OF DIGITAL EQUIPMENT CORPORATION AND SHALL NOT BE REPRODUCED OR COPIED OR USED IN WHOLE OR IN PART AS THE BASIS FOR THE MANUFACTURE OR SALE OF ITEMS WITHOUT WRITTEN PERMISSION. COPYRIGHT © 1977 DIGITAL EQUIPMENT CORPORATION"



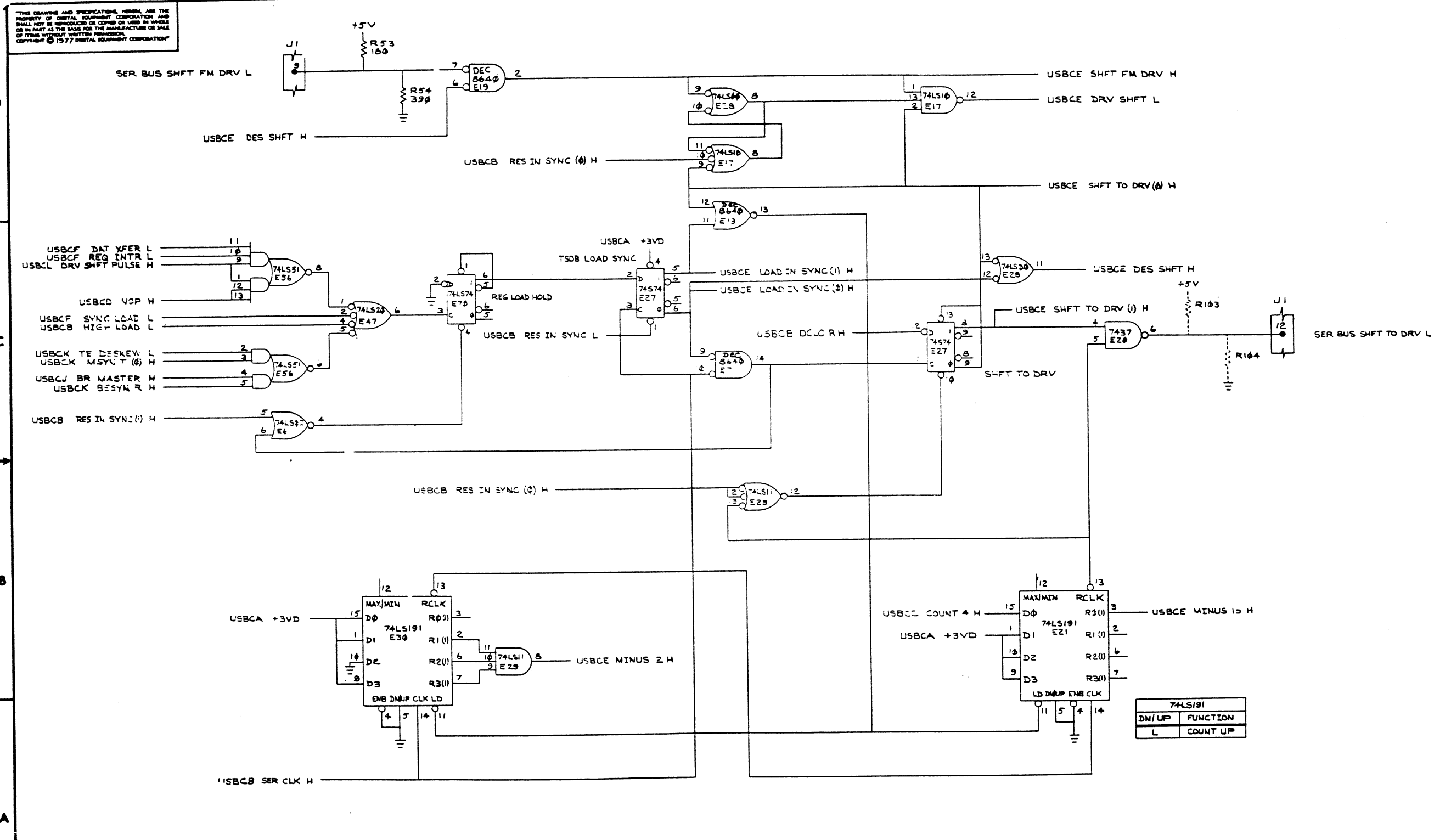
REVISIONS		
CHK	CHANGE NO.	REV.

THIS DRAWING AND SPECIFICATIONS HEREIN ARE THE PROPERTY OF DIGITAL EQUIPMENT CORPORATION AND SHALL NOT BE REPRODUCED OR COPIED OR USED IN WHOLE OR IN PART AS THE BASIS FOR THE MANUFACTURE OR SALE OF ITEMS WITHOUT WRITTEN PERMISSION. COPYRIGHT © 1977 DIGITAL EQUIPMENT CORPORATION



* THESE 8 BITS OF THE STATUS REGISTER ARE FOR SOFTWARE PURPOSES ONLY AND HAVE NO EFFECT ON THE TS11. THEIR MEANING WILL VARY ACCORDING TO THE TYPE OF DRIVE USED.

REVISIONS		
CHK	CHANGE NO.	REV.

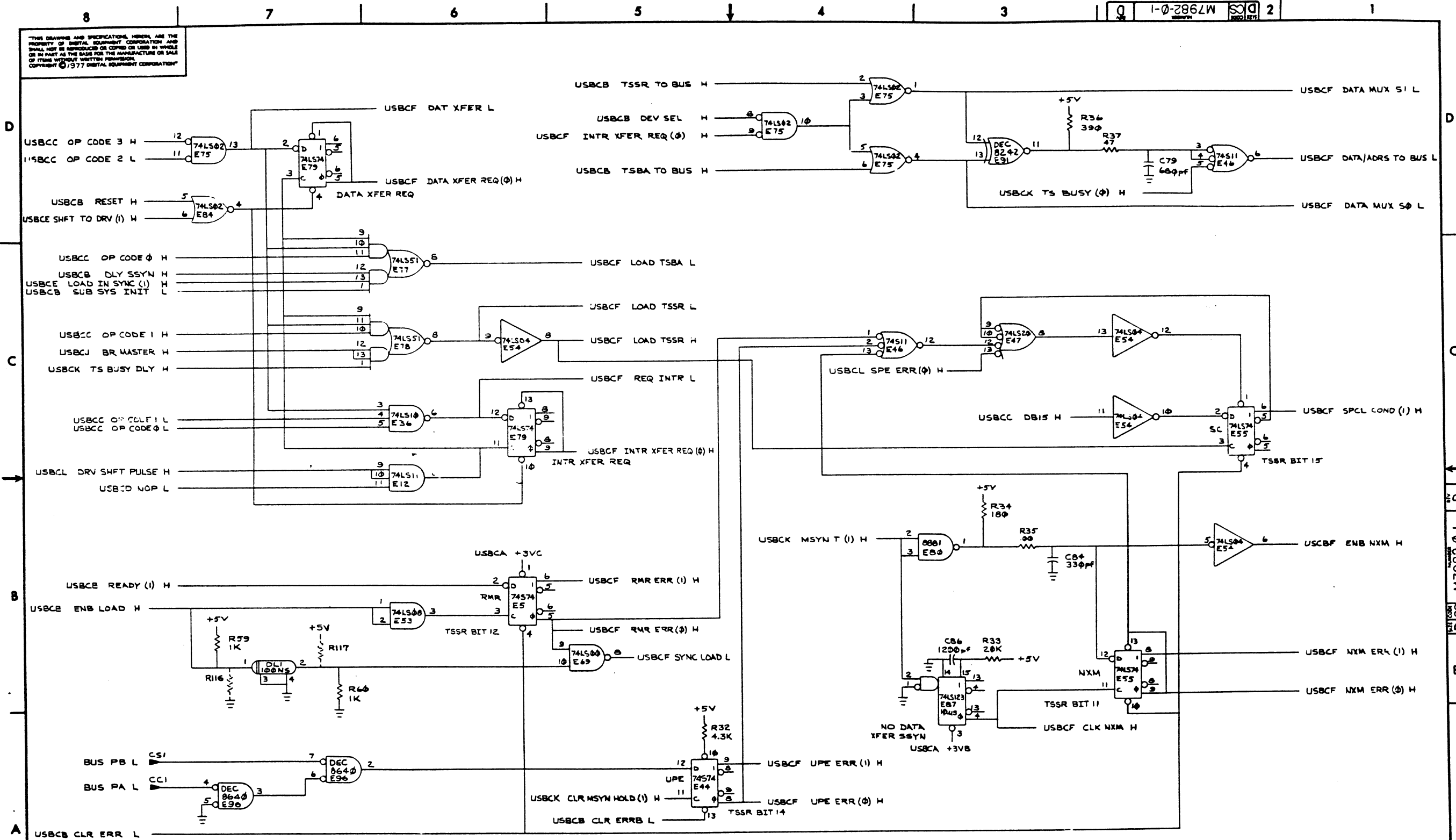


THIS DRAWING AND SPECIFICATIONS HEREIN ARE THE PROPERTY OF DIGITAL EQUIPMENT CORPORATION AND SHALL NOT BE REPRODUCED OR COPIED OR USED IN WHOLE OR IN PART AS THE BASIS FOR THE MANUFACTURE OR SALE OF ITEMS WITHOUT WRITTEN PERMISSION. COPYRIGHT © 1977 DIGITAL EQUIPMENT CORPORATION

REVISIONS		
CHK	CHANGE NO.	REV.

THIS DRAWING AND SPECIFICATIONS HEREIN ARE THE PROPERTY OF DIGITAL EQUIPMENT CORPORATION AND SHALL NOT BE REPRODUCED OR COPIED OR USED IN WHOLE OR IN PART AS THE BASIS FOR THE MANUFACTURE OR SALE OF ITEMS WITHOUT WRITTEN PERMISSION. COPYRIGHT © 1977 DIGITAL EQUIPMENT CORPORATION.

1-0-2862W 2



REVISIONS		
CHK	CHANGE NO.	REV.

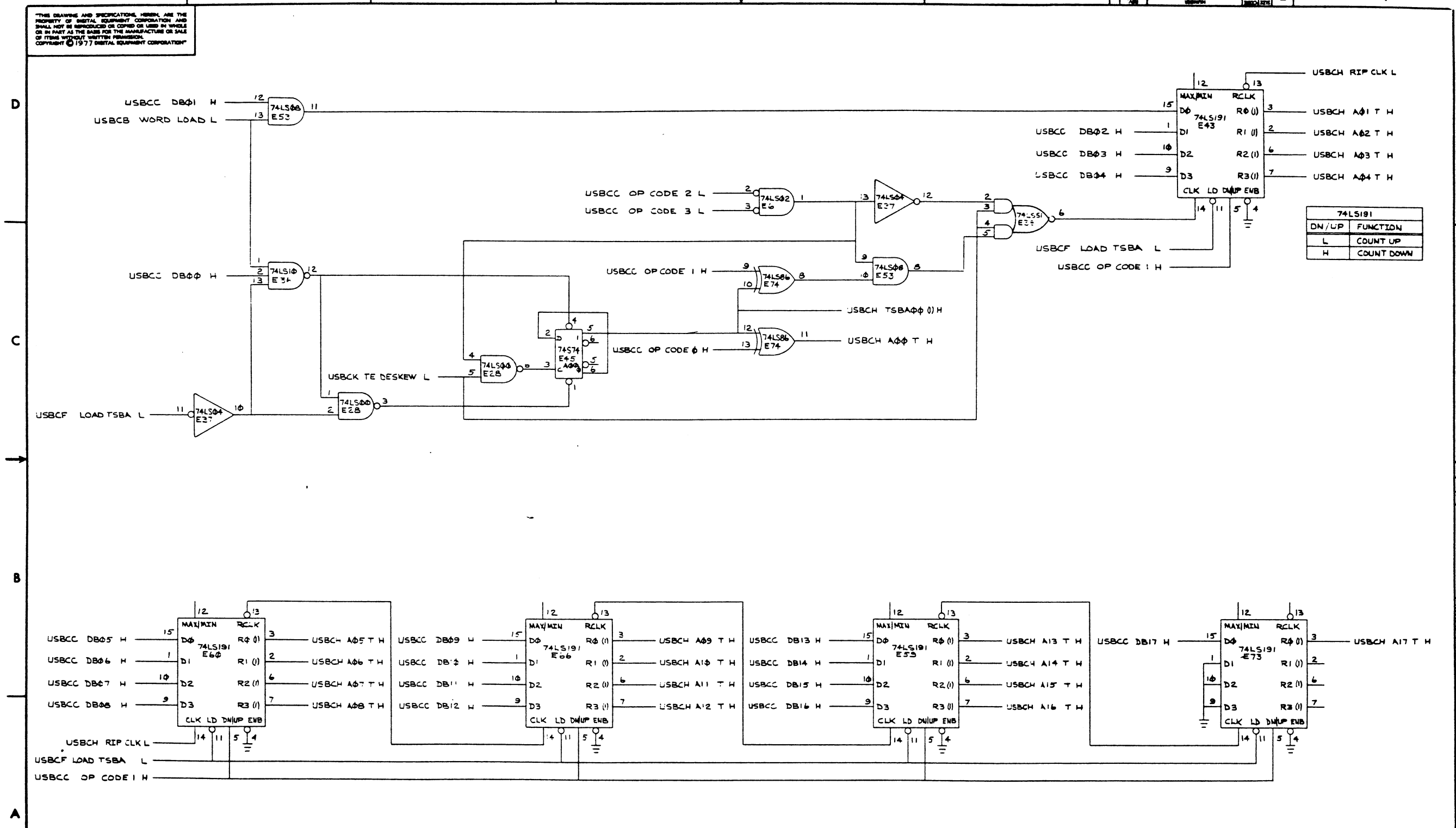
UNIBUS TRANSFER REQUEST & ERRORS SPC SLOT

TITLE UNIBUS TO SERIAL BUS CONTROLLER (USBCF) D CS M7982-0-1 D

SCALE SHEET 6 OF 12 DIST.

D CS M7982-0-1

THIS DRAWING AND SPECIFICATIONS HEREIN ARE THE PROPERTY OF DIGITAL EQUIPMENT CORPORATION AND SHALL NOT BE REPRODUCED OR COPIED OR USED IN WHOLE OR IN PART AS THE BASIS FOR THE MANUFACTURE OR SALE OF ITEMS WITHOUT WRITTEN PERMISSION. COPYRIGHT © 1977 DIGITAL EQUIPMENT CORPORATION



74LS191	
DN/UP	FUNCTION
L	COUNT UP
H	COUNT DOWN

D E S I G N M A N U A L M 7982-0-1

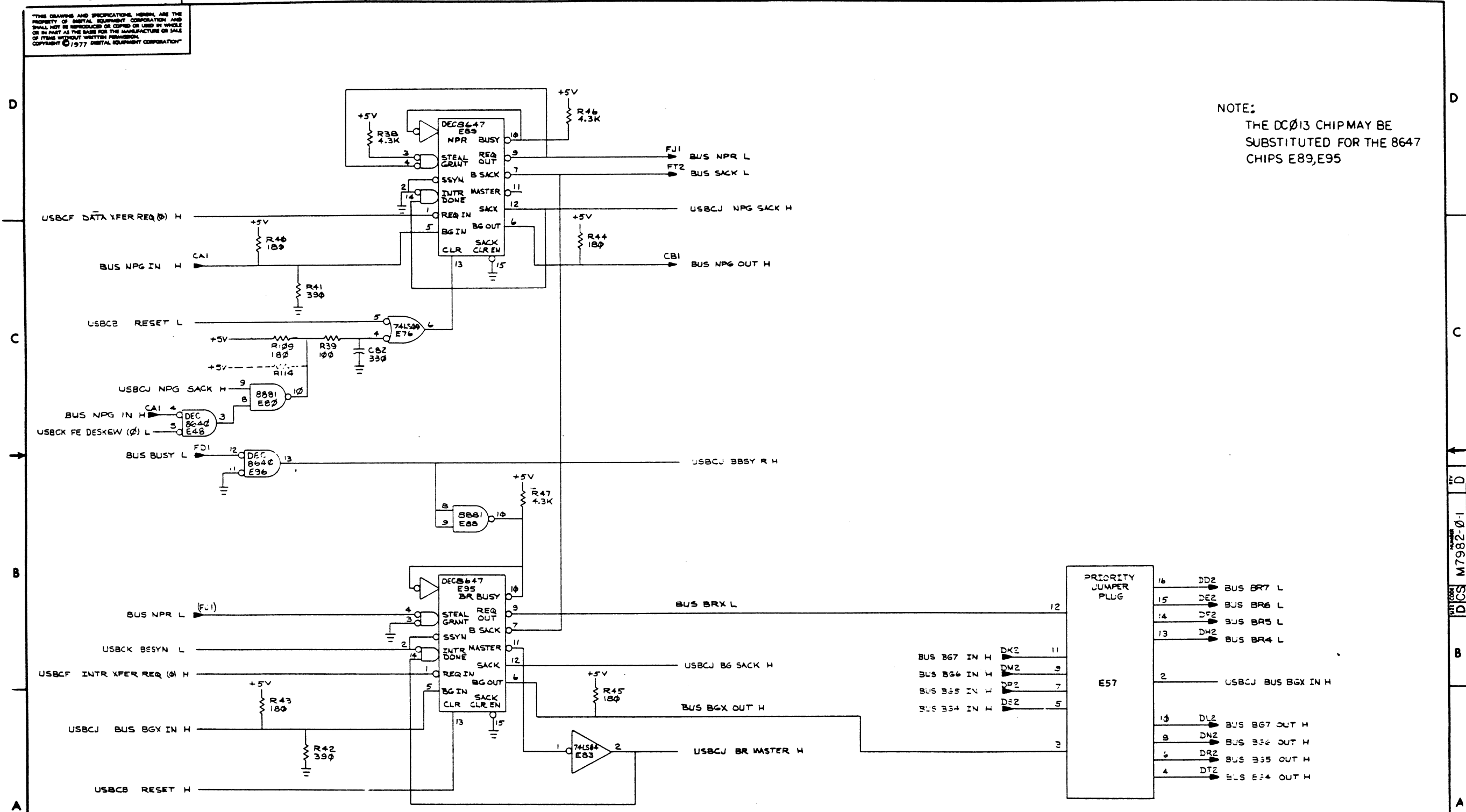
REVISIONS		
CHK	CHANGE NO.	REV.

ADDRESS REG. (TSBA) SPC SLOT

TITLE	UNIBUS TO SERIAL BUS CONTROLLER (USBCH)	SIZE CODE	D CS	NUMBER	M7982-0-1	REV.	D
SCALE		SHEET	7 OF 12	DIST.			

THIS DRAWING AND SPECIFICATIONS, HEREIN, ARE THE PROPERTY OF DIGITAL EQUIPMENT CORPORATION AND SHALL NOT BE REPRODUCED OR COPIED IN WHOLE OR IN PART AS THE BASIS FOR THE MANUFACTURE OR SALE OF ITEMS WITHOUT WRITTEN PERMISSION. COPYRIGHT © 1977 DIGITAL EQUIPMENT CORPORATION

NOTE:
THE DC013 CHIP MAY BE
SUBSTITUTED FOR THE 8647
CHIPS E89, E95

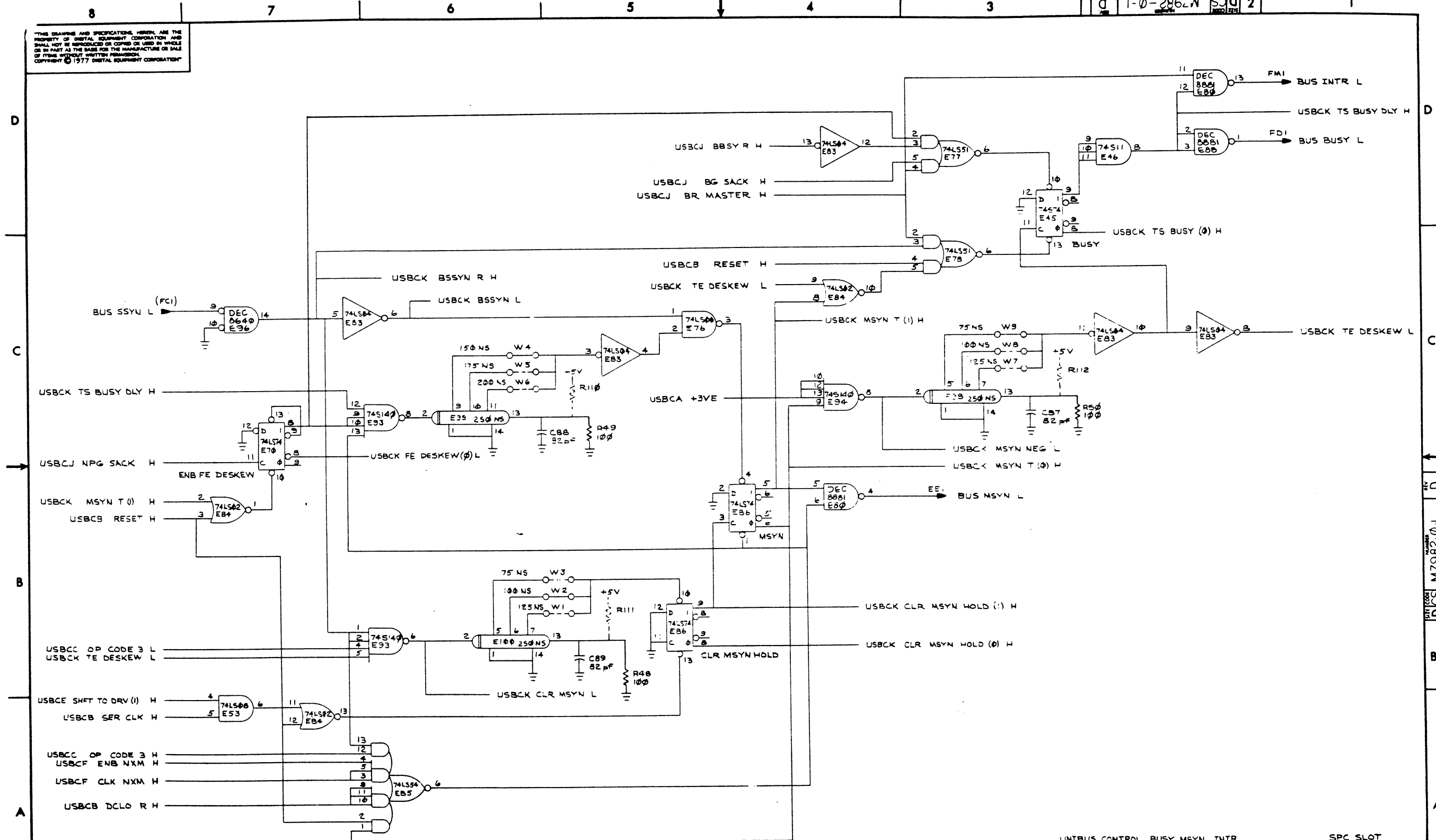


REVISIONS		
CHK	CHANGE NO.	REV.

UNIBUS CONTROL, SACK, GRANTS, REQUESTS		SPC SLOT	
TITLE UNIBUS TO SERIAL BUS CONTROLLER (USBCJ)		SIZE CODE	NUMBER
		DCS	M7982-0-1
SCALE	SHEET 8 OF 12	DNST.	REV. D

REV. D DCS M7982-0-1

THIS DRAWING AND SPECIFICATIONS, HEREIN, ARE THE PROPERTY OF DIGITAL EQUIPMENT CORPORATION AND SHALL NOT BE REPRODUCED OR COPIED OR USED IN WHOLE OR IN PART AS THE BASIS FOR THE MANUFACTURE OR SALE OF ITEMS WITHOUT WRITTEN PERMISSION. COPYRIGHT © 1977 DIGITAL EQUIPMENT CORPORATION



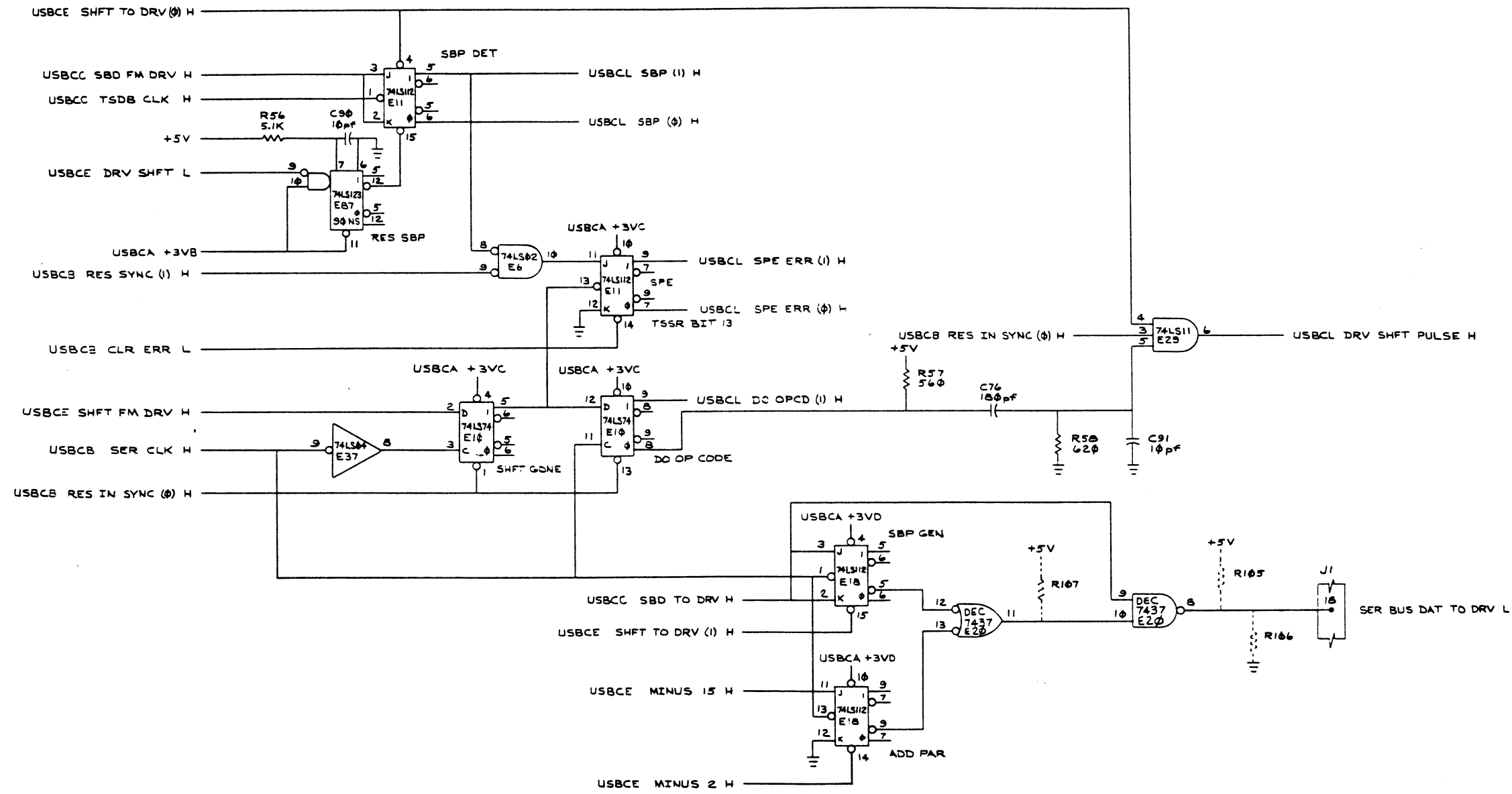
UNIBUS CONTROL, BUSY, MSYN, INTR SPC SLOT

REVISIONS		
CHK	CHANGE NO.	REV.

TITLE	UNIBUS TO SERIAL BUS CONTROLLER (USBCK)	SIZE/CODE	D CS	NUMBER	M7982-0-1	REV.	D
SCALE		SHEET	9 OF 12	DIST.			

REV D M7982-0-1

THIS DRAWING AND SPECIFICATIONS HEREIN ARE THE PROPERTY OF DIGITAL EQUIPMENT CORPORATION AND SHALL NOT BE REPRODUCED OR COPIED OR USED IN WHOLE OR IN PART AS THE BASIS FOR THE MANUFACTURE OR SALE OF ITEMS WITHOUT WRITTEN PERMISSION. COPYRIGHT © 1977 DIGITAL EQUIPMENT CORPORATION

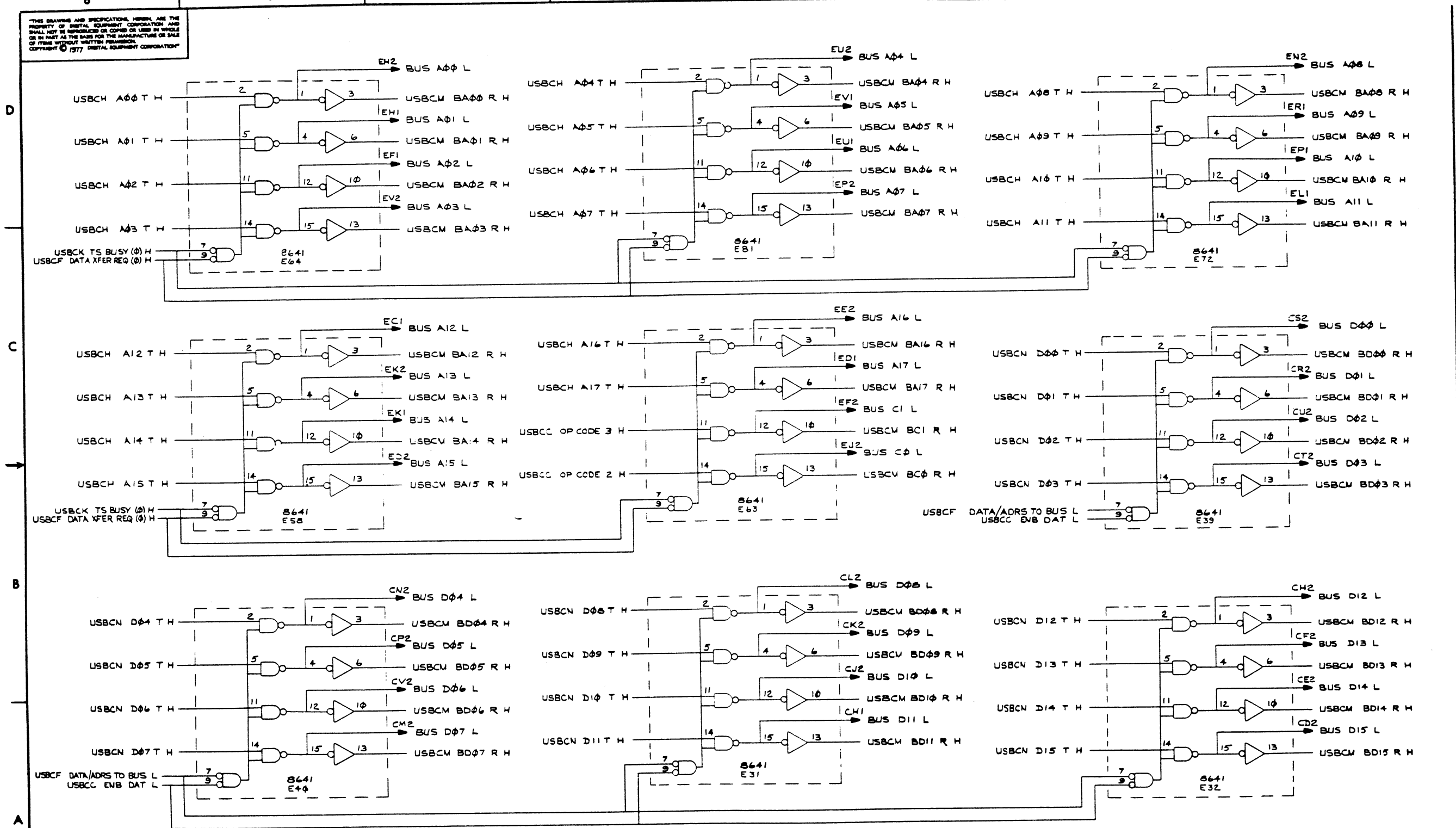


SBP DETECT, GENERATE & ERROR SPC SLOT

REVISIONS		
CHK	CHANGE NO.	REV.

REV. D
NUMBER M7982-0-1
DATE CODE DCS

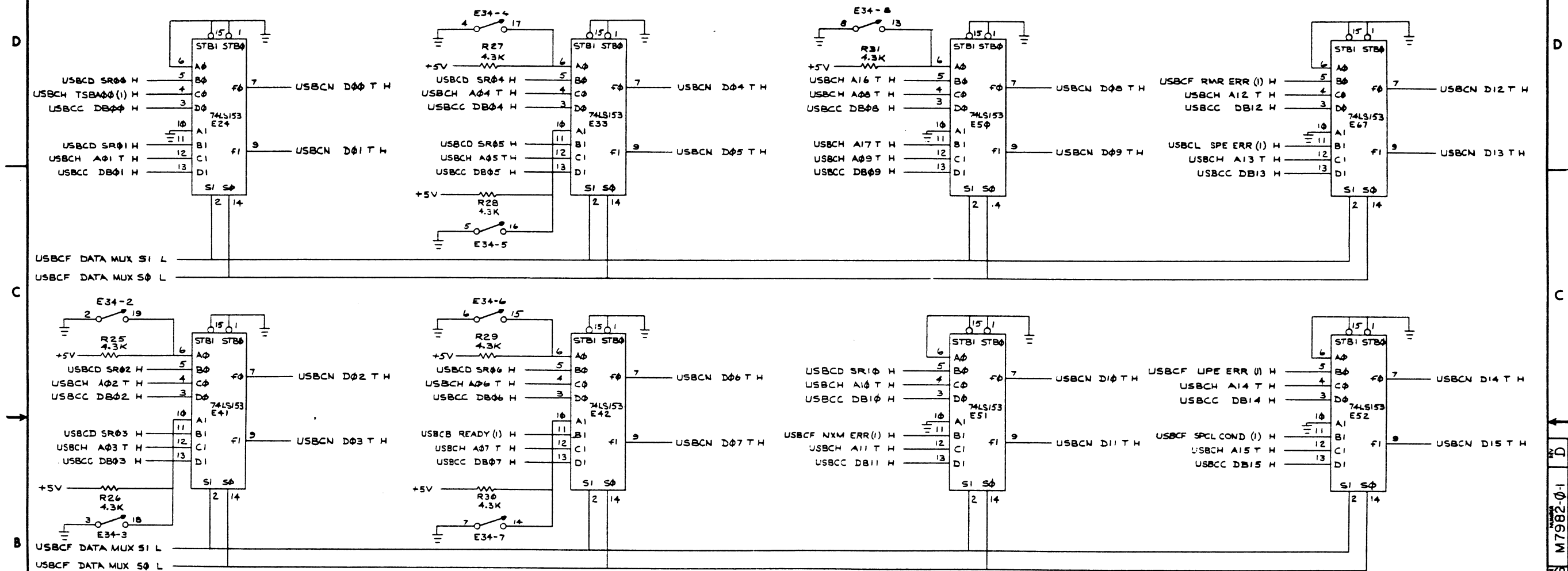
THIS DRAWING AND SPECIFICATIONS HEREIN ARE THE PROPERTY OF DIGITAL EQUIPMENT CORPORATION AND SHALL NOT BE REPRODUCED OR COPIED OR USED IN WHOLE OR IN PART AS THE BASIS FOR THE MANUFACTURE OR SALE OF ITEMS WITHOUT WRITTEN PERMISSION. COPYRIGHT © 1977 DIGITAL EQUIPMENT CORPORATION.



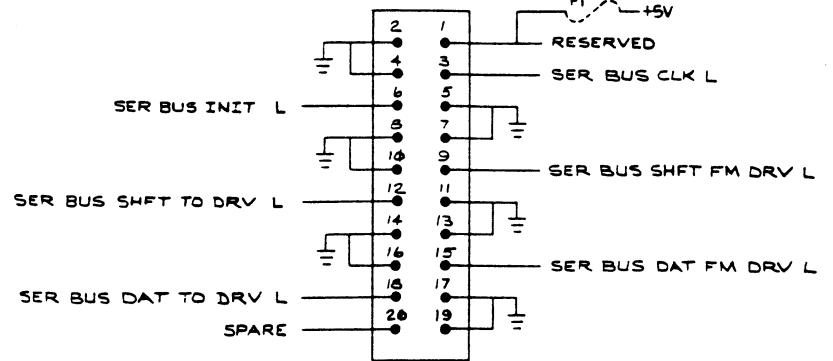
REVISIONS		
CHK	CHANGE NO.	REV.

REV D DCS M7982-0-1

THIS DRAWING AND SPECIFICATIONS HEREIN ARE THE PROPERTY OF WESTAL EQUIPMENT CORPORATION AND SHALL NOT BE REPRODUCED OR COPIED OR USED IN WHOLE OR IN PART AS THE BASIS FOR THE MANUFACTURE OR SALE OF ITEMS WITHOUT WRITTEN PERMISSION. COPYRIGHT © 1977 WESTAL EQUIPMENT CORPORATION



REFERENCE ONLY - CONN J1 PIN ASSIGNMENTS



74LS153			
SI	S0	FUNCTION	
A	0 0	VECTOR TO BUS	
B	0 1	TSSR TO BUS	
C	1 0	TSBA TO BUS	
D	1 1	TSDB TO BUS	

REVISIONS		
CHK	CHANGE NO.	REV.

REF. DATA MUX., VECTOR GEN. SPC SLOT

LINE ITEM	DOCUMENT NUMBER	PART NUMBER	DESCRIPTION	QTY PER VARIATION	REFERENCE DESIGNATOR
				00	
1	1	D-CS-M7982-0-1	CIRCUIT SCHEMATIC	REF	
2	2	D-UA-M7982-0-0	UNIT ASSEMBLY	REF	
3	3	B-DB-M7982-0-0	DWG DIRECTORY	REF	
4	4	D-MD-5012174-0-0	M7982	1	
5	5	1000006-00	10.0 MMF 100V 5%200PPM DM15S	2	C90,C91
6	6	1000015-00	82.0 MMF 100V 5%200PPM DM15S	4	C87,C85,C88,C89
7	7	1000016-00	100.0 MMF 100V 5%200PPM DM15S	1	C81
8	8	1000020-00	180.0 MMF 100V 5%200PPM DM15S	2	C7,C83
9	9	1000023-00	330.0 MMF 100V 5%200PPM DM15S	2	C82,C84
10	10	1000026-00	680.0 MMF 100V 5%200PPM DM15S	1	C79
11	11	1000042-00	1000.0 MMF 100V 5%200PPM DM15S	1	C77
12	12	1001610-00	.01 MFD 50V -20+80 Z5U AXIAL	89	C1-C69,C92-C111
13	13	1002424-00	1200.0 MMF 100V 5%200PPM DM15S	1	C86
14	14	1005306-00	6.8MFD 35V 10% S.TANT	6	C70-C75
15	15	1110864-00	LED 2MCD@10MA	1	D1
16	16	USED FOR E57.	1209838-00 SOCKET 16PIN	1	
17	17	1209941-03	HEADER RT ANGLE LEFT L	1	
18	18	1209941-04	HEADER RT ANGLE,RIGHT	1	
19	19	1209941-06	HEADER.100 20POS RT ANGLE	1	J1
20	20	1210711-02	HANDLE,MODULE,HEX	1	
21	21	1211164-06	SW,DIP 1P 1A 10POS	2	E34,E90
22	22	1300202-00	47.0 .25 W 5.0 % CC	2	R37,R19
23	23	1300229-00	100.0 .25 W 5.0 % CC	6	R17,R35,R39,R48-R50
24	24	1300309-00	390 1/4W 5% CC	7	R22,R24,R41,R42,R52,R54,R36
25	25	1300345-00	1 K 1/4W 5% CC	7	R1-R4,R55,R59,R60
26	26	1301322-00	180.0 .25 W 5.0 % CC	9	R21,R34,R40,R43-R45,R51,R53,R109
27	27	1301899-00	560 1/4W 5% CC	1	R57
28	28	1302389-00	4.3 K 1/4W 5% CC	24	R5-R16,R20,R25-R31,R38,R46,R47,
					CONT R32
29	29	1302391-00	20 K 1/4W 5% CC	2	R23,R33

REVISION HISTORY			BASIC PART NO: M7982	DRN: FRED MAY	DATE: 06-DEC-77	DIGITAL			
ENG	ECO NUMBER	REV	SECTION A OF A	CHK'D: C.CAMPBELL	DATE: 06-DEC-77	TITLE PARTS LIST			
---	INIT	C	SECTION VARIATION INDEX	DES.ENG: R. BOUCHER	DATE: 17-JUL-78	UNIBUS SERIAL BUS CONTROLLER			
PK	M7982-ML002	D	[A] 00	RESP.ENG.: R. BOUCHER	DATE: 17-JUL-78	DOCUMENT NUMBER			
			[B]	MFG.ENG.: P. BARTON	DATE: 17-JUL-78	SIZE	CODE	NUMBER	REV
			[C]	ASSEMBLY NUMBER: D-UA-M7982-0-0	TOP DOCUMENT NUMBER: TS11	K	FL	M7982-0-DBP	D
			[D]	FILE NAME: Z1079D.PLS	EDIT #	20			
			[E]						
			[F]						
			[G]						
			[H]						
			[I]						
			[J]						
			[K]						
			[L]						
			[M]						
			[N]						

"THIS DRAWING AND SPECIFICATIONS HEREIN, ARE THE PROPERTY OF DIGITAL EQUIPMENT CORPORATION AND SHALL NOT BE REPRODUCED OR COPIED OR USED IN WHOLE OR IN PART AS THE BASIS FOR THE MANUFACTURE OR SALE OF ITEMS WITHOUT WRITTEN PERMISSION. COPYRIGHT (C) 1979. DIGITAL EQUIPMENT CORPORATION"

LINE ITEM	DOCUMENT NUMBER	PART NUMBER	DESCRIPTION	QTY PER VARIATION 00	REFERENCE DESIGNATOR
30	30	1303178-00	620 1/4W 5% CC	1	R58
31	31	1312930-00	5.1 K 1/4W 5% CC	1	R56
32	32	1609557-00	DELAY= 100NS,0TAPS D10100	1	DL1
33	33	1611243-00	DELAY=25-250NS,10TAPS RCL#L-183	4	E98,E99,E100,E92
34	34	1909705-00	DEC 8881 NAND GATE-QUAD 2IN 0	2	E80,E88
35	35	1909712-00	DEC 8242 COMPARATOR-4BIT N,	3	E97,E82,E91
36	36	1910091-00	DEC 7437 AND GATE-QUAD 2IN,BU	1	E20
37	37	1910537-00	74S11 AND GATE-TRIPLE 3INP	1	E46
38	38	1910546-00	74S140 NAND GATE-DUAL 4INPU	2	E93,E94
39	39	1910544-00	74S74 FF-D DUAL,EDGE TRIGG	4	E5,E27,E45,E44
40	40	1911469-00	DEC 8340 RECEIVER,BUS,QUAD,U	4	E19,E48,E71,E96
41	41	1911579-00	8641 TRANSCEIVER,BUS,QUA	9	E31,E32,E39,E40,E58,E63,E64,E72, CONT E81
42	42	1912083-00	DEC 8647 UNIRUS INTERRUPT CON	2	E89,E95
43	43	1912649-00	LS75 LATCH 4BIT,BISTABLE	1	E26
44	44	1912696-00	LS194A SHIFT REG.,4BIT BI-D	6	E7-E9,E13,E14,E25
45	45	1912799-00	LS00 NAND-GATE-QUAD 2IN,F	3	E28,E69,E75
46	46	1912801-00	LS02 NOR-GATE-QUAD 2IN	4	E6,E61,E75,E84
47	47	1912803-00	LS04 INVERTER GATE-HEX 1I	3	E37,E54,E83
48	48	1912805-00	LS08 AND GATE-QUAD 2IN,PO	1	E53
49	49	1912807-00	LS10 NAND GATE-TRIPLE 3IN	2	E17,E36
50	50	1912808-00	LS11 AND GATE-TRIPLE 3IN	2	E12,E29
51	51	1912810-00	LS20 NAND GATE-DUAL 4IN	1	E47
52	52	1912815-00	LS30 NAND GATE-SINGLE 8IN	1	E65
53	53	1912819-00	LS42 DECODER,BCD-DECIMAL	1	E68
54	54	1912820-00	LS51 A-O-I GATE 2-WIDE 2I	4	E38,E56,E77,E78
55	55	1912821-00	LS54 A-O-I GATE,3-2-2-3IN	2	E85,E49
56	56	1912824-00	LS74 FF-D DUAL,EDGE TRIGG	5	E10,E55,E70,E79,E86
57	57	1912829-00	LS86 X-OR GATE-QUAD 2IN	1	E74
58	58	1912834-00	LS112 FF-JK DUAL,EDGE TRIG	3	E4,E11,E18
59	59	1912837-00	LS123 ONE SHOT-DUAL,RETRIG	2	E62,E87
60	60	1912845-00	LS153 MUX 1 OF 4 (DUAL)	9	E16,E67,E52,E50,E51,E33,E42,E24, CONT E41
61	61	1912847-00	LS157 MUX 1 OF 2(QUAD)	3	E22,E23,E35
62	62	1912867-00	LS298 MUX 1 OF 4,2IN W/S	2	E3,E15
63	63	1913939-00	LS191 COUNTER,SYNCHR. UP/D	7	E21,E30,E73,E59,E60,E43,E66
64	64	5408778-00	PLUG PRIORITY	1	E57
65	65	9000024-01	EYELET, ROLLED FLANGE, .121 OD X	12	
66	66	9009185-00	JUMPER, WIRE, INSULATED, BLACK B	3	W2,W4,W9
67	67	9105740-55	WIRE(WRAP)30AWG UL1423	A/R	
68	68	1304837-00	24 K 1/4W 5% CC	1	R18

D	I	G	I	T	A	L	TITLE	SECTION A OF A	SIZE	CODE	DOCUMENT NUMBER	REV
							UNIBUS SERIAL BUS CONTROLLER		K	PL	M7982-0-DBP	D

"THE MATERIAL HEREIN IS FOR INFORMATION PURPOSES ONLY AND IS SUBJECT TO CHANGE WITHOUT NOTICE. DIGITAL EQUIPMENT CORPORATION ASSUMES NO RESPONSIBILITY FOR ANY ERRORS WHICH MAY APPEAR HEREIN."

FIELD MAINTENANCE PRINT SET

"THIS DRAWING AND SPECIFICATIONS, HEREIN, ARE THE PROPERTY OF DIGITAL EQUIPMENT CORPORATION AND SHALL NOT BE REPRODUCED OR COPIED OR USED IN WHOLE OR IN PART AS THE BASIS FOR THE MANUFACTURE OR SALE OF ITEMS WITHOUT WRITTEN PERMISSION. COPYRIGHT © 1981, DIGITAL EQUIPMENT CORPORATION."

TABLE OF CONTENTS

B-TC-TS04-A-01	K-PL-M8962-0-DBP
B-DD-TS04-A	D-UA-M8963-0-0*
E-UA-TS04-A-0	D-CS-M8963-0-1
E-UA-TS04K-A-0	K-PL-M8963-0-DBP
B-PL-TS11K-AA-0	D-UA-M8964-0-0*
B-PL-TS11K-AB-0	D-CS-M8964-0-1
B-DD-5412989-0	K-PL-M8964-0-DBP
E-UA-5412989-0-0*	D-UA-M8965-0-0*
D-CS-5412989-0-1	D-CS-M8965-0-1
K-PL-5412989-0-DBP	K-PL-M8965-0-DBP
D-UA-G057-0-0*	D-UA-M8966-0-0*
D-CS-G057-0-1	D-CS-M8966-0-1
K-PL-G057-0-DBP	K-PL-M8966-0-DBP
D-UA-G157-0-0*	D-UA-M8967-0-0*
D-CS-G157-0-1	D-CS-M8967-0-1
K-PL-G157-0-DBP	K-PL-M8967-0-DBP
D-UA-G158-0-0*	D-UA-M8968-0-0*
D-CS-G158-0-1	D-CS-M8968-0-1
K-PL-G158-0-DBP	K-PL-M8968-0-DBP
D-UA-G159-0-0*	2-AD-7016288-0-0
D-CS-G159-0-1	B-DD-7016288-0
K-PL-G159-0-DBP	B-PL-7016288-0-0
D-UA-5413692-0-0*	D-UA-5413609-0-0*
D-CS-5413692-0-1	D-CS-5413609-0-1
K-PL-5413692-0-DBP	K-PL-5413609-0-DBP
D-UA-M8922-0-0*	D-CS-5411086-0-1
D-CS-M8922-0-1	D-UA-H744-0-0
K-PL-M8922-0-DBP	D-CS-H744-0-1
D-UA-M8923-0-0*	D-AD-7016287-0-0
D-CS-M8923-0-1	B-PL-7016287-0-0
K-PL-M8923-0-DBP	K-PL-TS04-A-DBP
D-UA-M8924-0-0*	
D-CS-M8924-0-1	
K-PL-M8924-0-DBP	
D-UA-M8929-0-0*	
D-CS-M8929-0-1	
K-PL-M8929-0-DBP	
D-UA-M8962-0-0*	
D-CS-M8962-0-1	

* INCLUDE SHEET 1 ONLY

UNIT VARIATIONS COVERED BY THIS PRINT SET	
TS11-AA	
TS11-AB	

TS04-A-1

Field Maintenance Print Set

Digital Equipment Corporation

PRINT SET ORDER NO. MP00848

REVISIONS		USED ON OPTION/MODEL		DRN.	DATE	TITLE:																						
DATE	CHG. NO.	A	B	TS11	G. Marini	3/79	FIELD MAINTENANCE PRINT SET (TS04)																					
7/7/80	TS04A-ML002				CHK'D	DATE																						
6/81	TS04A-ML003				R. Tremblay	7/79																						
					PROJ. ENG.	DATE	<table border="1"> <tr> <td>SIZE</td> <td>CODE</td> <td colspan="3">NUMBER</td> <td>REV.</td> </tr> <tr> <td>B</td> <td>TC</td> <td colspan="3">TS04-A-01</td> <td>B</td> </tr> <tr> <td>DIST.</td> <td></td> <td></td> <td></td> <td></td> <td></td> </tr> </table>				SIZE	CODE	NUMBER			REV.	B	TC	TS04-A-01			B	DIST.					
SIZE	CODE	NUMBER			REV.																							
B	TC	TS04-A-01			B																							
DIST.																												
					FIELD SERV.	DATE																						
					S. Lunkins	7/79																						
				SHEET 1 OF 1																								

EN-0124-16-8678-(327)

"THE MATERIAL HEREIN IS FOR INFORMATION PURPOSES ONLY AND IS SUBJECT TO CHANGE WITHOUT NOTICE. DIGITAL EQUIPMENT CORPORATION ASSUMES NO RESPONSIBILITY FOR ANY ERRORS WHICH MAY APPEAR HEREIN."

DRAWING DIRECTORY

"THIS DRAWING AND SPECIFICATIONS, HEREIN, ARE THE PROPERTY OF DIGITAL EQUIPMENT CORPORATION AND SHALL NOT BE REPRODUCED OR COPIED OR USED IN WHOLE OR IN PART AS THE BASIS FOR THE MANUFACTURE OR SALE OF ITEMS WITHOUT WRITTEN PERMISSION. COPYRIGHT © DIGITAL EQUIPMENT CORPORATION. 1979

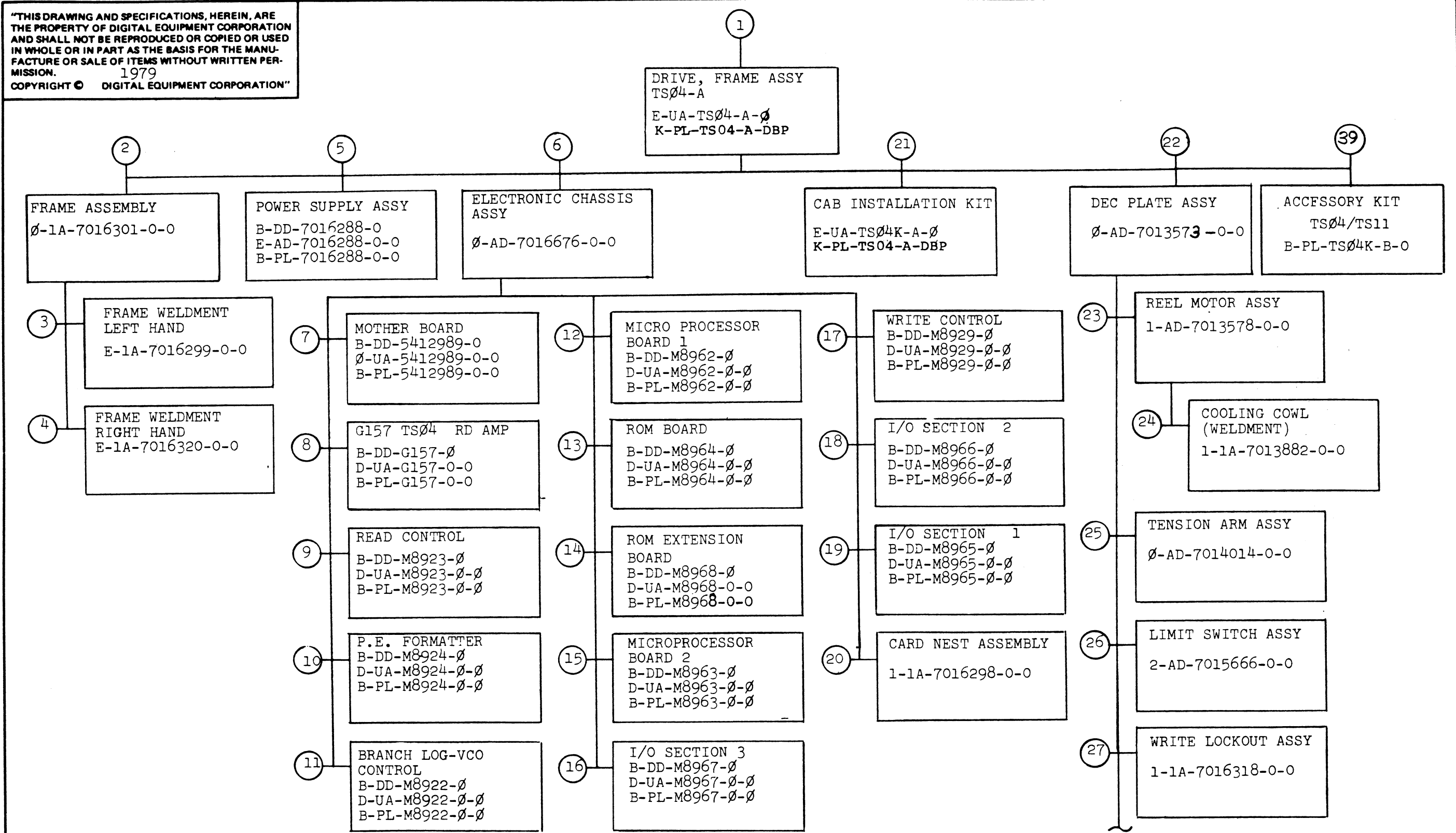
FOR TABLE OF CONTENTS LISTING REFER TO DRAWING NO. B-TC-TS04-A-01 (FIELD MAIN PRINT SET)
B-TC-TS04-A-02 (CUSTOMER PRINT SET)

UNIT VARIATIONS	
VAR	TITLE
TS04-AA	DRIVE, FRAME ASSY (TS04-A) 120V
TS04-AB	DRIVE, FRAME ASSY (TS04-A) 240V

REVISIONS	CHANGE NO.	REV.
	TS04A-ML003	A
CHK	MS	

USED ON OPTION/MODEL	DRN.	DATE	TITLE	digital
TS11-A	G. Marini	3/12/79	DRAWING DIRECTORY (TS04-A)	
	CHK'D.	DATE		
	<i>Kimbley</i>	7/18/79		
	PROJ. ENG.	DATE		
	<i>M. Lucia</i>	2/19/79		
	PROD.	DATE		
	<i>T. Wright</i>	7/18/79		
SHEET - 1 OF 6	SIZE	CODE	NUMBER	REV
	B	DD	TS04-A	A
	DIST.			

"THIS DRAWING AND SPECIFICATIONS, HEREIN, ARE THE PROPERTY OF DIGITAL EQUIPMENT CORPORATION AND SHALL NOT BE REPRODUCED OR COPIED OR USED IN WHOLE OR IN PART AS THE BASIS FOR THE MANUFACTURE OR SALE OF ITEMS WITHOUT WRITTEN PERMISSION. 1979 COPYRIGHT © DIGITAL EQUIPMENT CORPORATION"

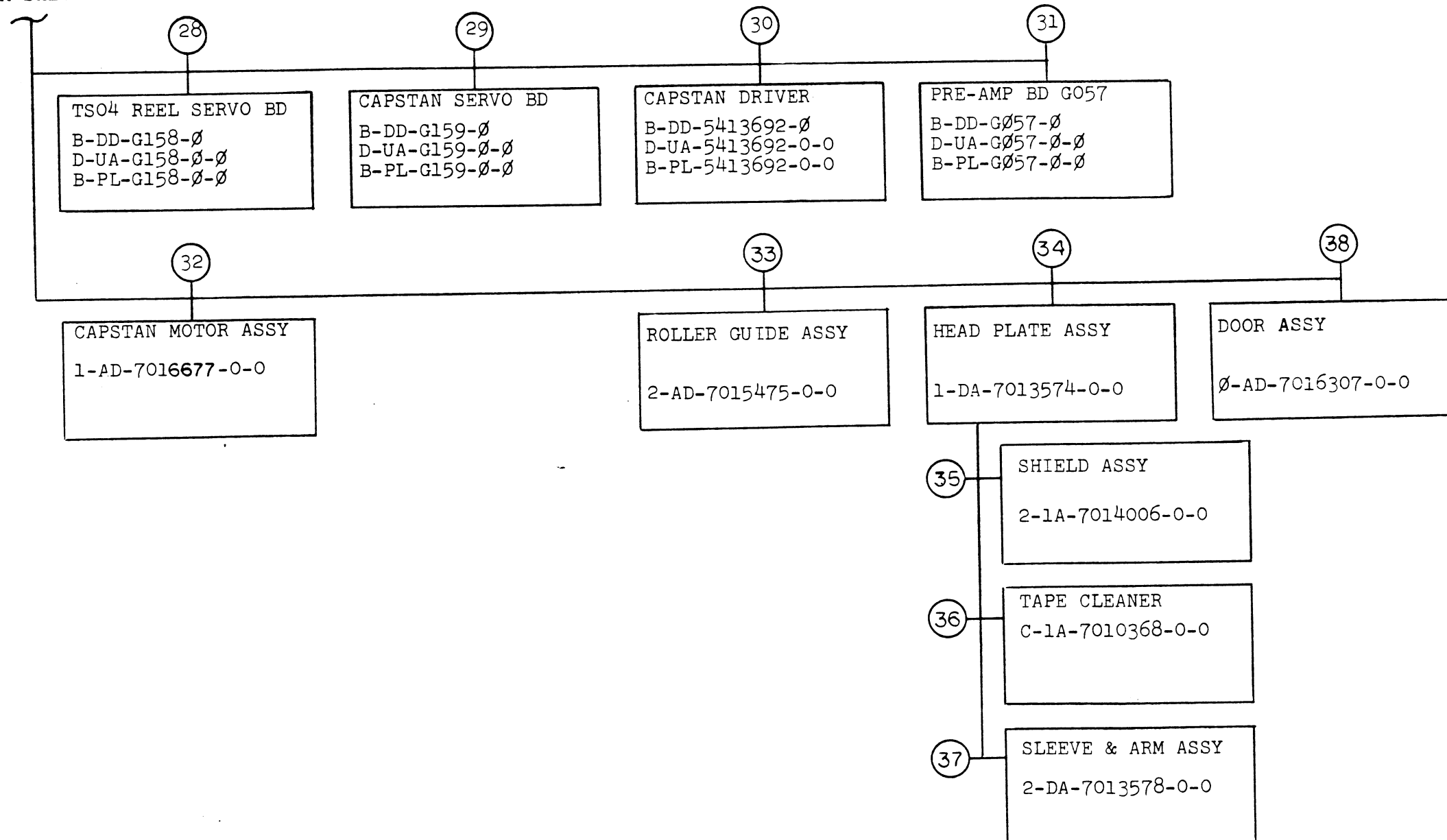


CONTINUED ON SHEET 3 OF 6

TITLE	DRAWING DIRECTORY (TS04-A)	SIZE	CODE	NUMBER	REV
		SHEET 2 OF 6	BDD	TS04-A	A

"THIS DRAWING AND SPECIFICATIONS, HEREIN, ARE THE PROPERTY OF DIGITAL EQUIPMENT CORPORATION AND SHALL NOT BE REPRODUCED OR COPIED OR USED IN WHOLE OR IN PART AS THE BASIS FOR THE MANUFACTURE OR SALE OF ITEMS WITHOUT WRITTEN PERMISSION. 1979
COPYRIGHT © DIGITAL EQUIPMENT CORPORATION"

FROM SHEET 2 OF 7



FIND NO.	DRAWING NO.	DESCRIPTION	TYPE	FIND NO.	DRAWING NO.	DESCRIPTION	TYPE
1	E-UA-TS04-A-0	DRIVE, FRAME ASSY (TS04-A)	E/M	9	B-DD-M8923-0	DRAWING DIRECTORY	--
	K-PL-TS04-A-DBP	PARTS LIST	E/M		D-UA-M8923-0-0	READ CONTROL	E/M
	B-TC-TS04-A-01	TABLE OF CONTENTS (TS04-A)	---		B-PL-M8923-0-0	READ CONTROL (PL)	E/M
	2-1A-7422626-0-0	STRAP GROUND	M				
	EKOTSII-UG	USER GUIDE	REF				
	EKOTSII-TM	TECH MANUAL	REF	10	B-DD-M8924-0	DRAWING DIRECTORY	--
	EKOTSII-SV	POCKET SERVICE GUIDE	REF		D-UA-M8924-0-0	P.E. FORMATTER	E/M
					B-PL-M8924-0-0	P.E. FORMATTER (PL)	E/M
2	0-1A-7016301-0-0	FRAME ASSY	M	11	B-DD-M8922-0	DRAWING DIRECTORY	--
	1-MD-7422062-0-0	SPACER FRONT	M		D-UA-M8922-0-0	BRANCH LOG-VCO CONTROL	E/M
	1-MD-7422061-0-0	BRACE, CENTER	M		B-PL-M8922-0-0	BRANCH LOG-BCO CONTROL (PL)	E/M
	1-MD-7422060-0-0	SUPPORT, POWER SUPPLY	M				
	1-MD-7422064-0-0	SPACER, REAR	M	12	B-DD-M8962-0	DRAWING DIRECTORY	--
	E-1A-7422058-0-0	SPACER, MIDDLE	M		D-UA-M8962-0-0	MICROPROCESSOR BOARD 1	E/M
					B-PL-M8962-0-0	MICROPROCESSOR BOARD 1 (PL)	E/M
3	E-1A-7016299-0-0	FRAME WELDMENT LEFT HAND	M				
	1-MD-7422067-0-0	SUPPORT L.H.	M	13	B-DD-M8964-0	DRAWING DIRECTORY	--
	1-MD-7422084-0-0	FRAME SIDE L.H.	M		D-UA-M8964-0-0	ROM BOARD	E/M
4	E-1A-7016320-0-0	FRAME WELDMENT RIGHT HAND	M		B-PL-M8964-0-0	ROM BOARD (PL)	E/M
	1-MD-7422066-0-0	SUPPORT R.H.	M				
	1-MD-7422084-0-0	FRAME SIDE R.H.	M	14	B-DD-M8968-0	DRAWING DIRECTORY	--
					D-UA-M8968-0-0	ROM EXTENSION BOARD	E/M
5	B-DD-7016288-0	DRAWING DIRECTORY POWER SUPPLY ASSY	---		B-PL-M8968-0-0	ROM EXTENSION BOARD (PL)	E/M
	E-AD-7016288-0-0	POWER SUPPLY ASSY	E/M				
	B-PL-7016288-0-0	POWER SUPPLY ASSY (PL)	E/M	15	B-DD-M8963-0	DRAWING DIRECTORY	--
					D-UA-M8963-0-0	MICROPROCESSOR BOARD 2	E/M
6	0-1A-7016676-0-0	ELECTRONIC CHASSIS ASSY	E/M		B-PL-M8963-0-0	MICROPROCESSOR BOARD 2 (PL)	E/M
	2-MD-7419785-0-0	ANGLE MOTHER BD	M				
	2-MD-7419784-0-0	INSULATOR CARD GUIDE	M	16	B-DD-M8967-0	DRAWING DIRECTORY	--
	2-MD-7418050-0-0	BAR RETAINER	M		D-UA-M8967-0-0	I/O SECTION 3	E/M
	1-1A-7016285-0-0	CABLE, FAN LOGIC	E/M		B-PL-M8967-0-0	I/O SECTION 3 (PL)	E/M
7	B-DD-5412989-0	DRAWING DIRECTORY	---	17	B-DD-M8929-0	DRAWING DIRECTORY	--
	0-UA-5412989-0-0	MOTHER BOARD	E/M		D-UA-M8929-0-0	WRITE CONTROL	E/M
	B-PL-5412989-0-0	MOTHER BOARD (PL)	E/M		B-PL-M8929-0-0	WRITE CONTROL (PL)	E/M
8	B-DD-G157-0	DRAWING DIRECTORY	---				
	0-UA-G157-0-0	G157 TS04 RD AMP	E/M				
	B-PL-G157-0-0	G157 TS04 RD AMP (PL)	E/M				

TYPE: E ELECTRICAL
M MECHANICAL
E/M ELECTRO/MECHANICAL

digital

TITLE
DRAWING DIRECTORY TS04-A

SHEET 4 OF 6

SIZE CODE
B DD

NUMBER
TS04-A

REV
A

FIND NO.	DRAWING NO.	DESCRIPTION	TYPE	FIND NO.	DRAWING NO.	DESCRIPTION	TYPE
18	B-DD-M8966-Ø	DRAWING DIRECTORY	---		A-PS-1214813-0-0	COVER HEAD RIGHT	M
	D-UA-M8966-Ø-Ø	I/O SECTION 2	E/M		A-PS-1214812-0-0	COVER HEAD LEFT	M
	B-PL-M8966-Ø-Ø	I/O SECTION 2 (PL)	E/M		A-PS-1215655-0-0	SWITCH INTERLOCK	M
					A-PS-1214815-0-0	COVER HUB	M
					A/1-PS-1214816-0-0	RING CENTER	M
19	B-DD-M8965-Ø	DRAWING DIRECTORY	---		A-PS-1214946-0-0	RING RUBBER	M
	D-UA-M8965-Ø-Ø	I/O SECTION 1	E/M		D-PS-1213119-0-0	HUB QUICK RELEASE	M
	B-PL-M8965-Ø-Ø	I/O SECTION 1 (PL)	E/M		A-PS-1214843-0-0	LATCH	M
					A-PS-1215235-0-0	LID SUPPORT	M
20	1-1A-7016298-0-0	CARD NEST ASSY	M		2-MD-7422583-0-0	INSULATOR GØ57	M
	1-1A-7422065-0-0	SUPPORT CARD GUIDE	M		A-PS-1214955-0-0	HINGE DEC PLATE	M
	1-1A-7422081-0-0	PANEL CHASSIS	M		2-MD-7418032-0-0	INSULATOR G158	M
	1-MD-7422063-0-0	BRACKET FAN	M		A-PS-1214609-0-0	LATCH GRIP	M
					1-IA-7014149-0-0	CABLE WRITE HEAD	E/M
					1-IA-7013582-0-0	CABLE READ HEAD	E/M
					1-IA-7016284-0-0	CABLE POWER R/W	E/M
					1-IA-7016259-0-0	HARNESS C/P	E/M
21	E-UA-TSØ4K-A-Ø	CAB INSTALLATION KIT	M		2-IA-7016528-0-0	CABLE INTERCONNECT	E/M
	K-PL-TSØ4-A-ØBP	PARTS LIST	M		D-IA-7013577-0-0	HARNESS DRIVE	E/M
					1-IA-7016258-0-0	HARNESS W/L/L	E/M
					1-IA-7014186-0-0	CABLE ASSY/FOLDED	E/M
					A-PS-1215031-0-0	LID SUPPORT D/S	M
22	Ø-AD-7013573-0-0	DECK PLATE ASSY	E/M		1-IA-7013581-0-0	CABLE ASSY FOLDED	E/M
	Ø-MD-7417657-0-0	DECK PLATE	M		1-IA-7014136-0-0	TRANSDUCER AND CONNECTOR ASSY	E/M
	2-MD-7-18013-0-0	SPACER MOTOR MTG	M		2-MD-7418507-0-0	BRACKET INTERLOCK	M
	2-MD-7418016-0-0	PLATE CABLE	M				
	2-MD-7418008-0-0	BLOCK TRANSDUCER	M				
	2-MD-7418048-0-0	BLOCK BASE	M				
	2-MD-7418049-0-0	BLOCK SPRING ADJ	M				
	2-MD-7418012-0-0	PIN RAMP	M				
	1-MD-7418009-0-0	BRACKET GUSSET L.H.	M	23	1-AD-7013578-0-0	REEL MOTOR ASSY	E/M
	1-IA-7418004-0-0	BRACKET GUSSET R.H.	M		A-PS-1214528-0-0	REEL MOTOR	E/M
	1-IA-7418022-0-0	BLOCK HINGE	M		A/C-PS-1214606-0-0	BRAKE MOTOR	E/M
	1-MD-7418014-0-0	HOLDER PRE-AMP	M		1-1A-7014362-0-0	HARNESS CAPACITOR FAN	E/M
	1-MD-7418015-0-0	COVER PRE-AMP	M				
	2-MD-7417985-0-0	BLOCK CAPSTAN ADJ	M				
	2-MD-7418036-0-0	STOP RUBBER	M	24	1-1A-7013882-0-0	COOLING COWL WELDMENT	M
	2-MD-7422071-0-0	SPACER	M		2-MD-7418506-0-0	SLEEVE COWL	M
	2-MD-7421766-0-0	COVER G158	M		2-1A-7418505-0-0	FLANGE COWL	M
	2-MD-7418010-0-0	CAPSTAN	M		2-MD-7418006-0-0	BRACKET COWLMTG	M
	2-MD-7418021-0-0	CLAMP CAPSTAN	M				
	Ø-MD-7418878-0-0	HUB INNER	M				
	D-MD-7417902-0-0	FLANGE	M	25	Ø-AD-7014014-0-0	TENSION ARM ASSY	E/M
	2-MD-7418507-0-0	BRACKET SWITCH	M		2-MD-7417982-0-0	SHAFT PIVOT	M
	1-MD-7422508-0-0	BRACKET DOOR STAY	M		2-MD-7417989-0-0	ARM TENSION	M
	D-DA-7418005-0-0	BEZEL	M		2-MD-7417983-0-0	HOUSING TENSION ARM	M
	A-PS-1214839-0-0	CLIP TUBULAR	M		A/C-PS-1216060-0-0	ROLLER ASSY	M

TYPE: E ELECTRICAL
M MECHANICAL
E/M ELECTRO/MECHANICAL

digital

TITLE DRAWING DIRECTORY TSØ4

SHEET 5 OF 6

SIZE CODE
B DD

NUMBER
TSØ4-A

REV
A

FIND NO.	DRAWING NO.	DESCRIPTION	TYPE	FIND NO.	DRAWING NO.	DESCRIPTION	TYPE
25	A-PS-1214164-0-0	BEARING	M	34	2-MD-7418265-0-0	GUIDE, TAPE PIN	M
26	2-AD-7015666-0-0	LIMIT SWITCH ASSY	E/M		A/C-PS-1216060-0-0	ROLLER ASSY	M
	2-MD-7418035-0-0	BRACKET SWITCH	M		A-PS-1209877-0-0	WASHER CERAMIC	M
	2-MD-7418035-0-0	SWITCH REWORK	E/M		2-MD-7417900-0-0	WASHER CLAMP	M
27	1-IA-7016318-0-0	WRITE LOCKOUT ASSY	E/M		2-MD-7420621-0-0	WASHER	M
	2-IA-7422069-0-0	BRACKET W.L.O.	M		2-IA-7016662-0-0	EOT/BOT ASSY	M
	2-MD-7422070-0-0	ARM W.L.O.	M		B-MD-7422992-0-0	SHAFT BUFFER	M
	A-PS-1214548-0-0	SOLENOID	E/M		B-MD-7422993-0-0	WASHER	M
	2-IA-7016317-0-0	HARNESS WRITE LOCK	E/M	35	2-IA-7014006-0-0	SHIELD ASSY	M
	2-MD-7422062-0-0	HOLDER ARM	M		2-MD-7418667-0-0	SHIELD MAGNETIC FLUX	M
28	B-DD-G158-Ø	DRAWING DIRECTORY	---		2-MD-7418666-0-0	HOLDER	M
	D-UA-G158-Ø-Ø	TSØ4 REEL SERVO BD	E/M		2-MD-7422487-0-0	SHIELD COPPER	M
	B-PL-G158-Ø-Ø	TSØ4 REEL SERVO BD (PL)	E/M		A-PS-1614497-0-0	FIRRITE	M
29	B-DD-G159-Ø	DRAWING DIRECTORY	---	36	C-IA-7010368-0-0	TAPE CLEANER	M
	D-UA-G159-Ø-Ø	CAPSTAN SERVO BD	E/M		C-MD-7414126-0-0	SUPPORT SCRAPER	M
	B-PL-G159-Ø-Ø	CAPSTAN SERVO BD (PL)	E/M		C-MD-7414127-0-0	SCRAPER, TAPE	M
30	B-DD-5413692-0	DRAWING DIRECTORY	---	37	2-DA-7013578-0-0	SLEEVE ARM ASSY	M
	D-UA-5413692-0-0	CAPSTAN DRIVER	E/M		2-MD-7420619-0-0	ARM DAMPER	M
	B-PL-5413692-0-0	CAPSTAN DRIVER (PL)	E/M		A-PS-1215236-0-0	SLEEVE BEARING	M
31	B-DD-GØ57-Ø	DRAWING DIRECTORY	---	38	2-AD-7016307-0-0	DOOR ASSY	M
	D-UA-GØ57-Ø-Ø	PRE-AMP BOARD	E/M		Ø-MD-7418027-0-0	DOOR	M
	B-PL-GØ57-Ø-Ø	PRE-AMP BOARD (PL)	E/M		2-MD-7419698-0-0	WINDOW	M
32	1-AD-7016677-0-0	CAPSTAN MOTOR ASSY	E/M		2-IA-7419911-0-0	BRACKET LATCH	M
	1-PS-1214529-0-0	MOTOR CAPSTAN	M		A-PS-1214956-0-0	HINGE	M
	2-MD-7417984-0-0	PLATE CAPSTAN MOTOR	M		A-PS-1214838-0-0	CLIP	M
33	2-AD-7015475-0-0	ROLLER GUIDE ASSY	M	39	B-PL-TSØ4K-B-0	ACCESSORY KIT TSØ4/TS11	---
	A/C-PS-1216060-0-0	ROLLER ASSY	M				
	2-MD-7418011-0-0	CLAMP ROLLER GUIDE	M				
	1-MD-7418520-0-0	BASE ROLLER GUIDE	M				
34	1-DA-7013574-0-0	HEAD PLATE ASSY	E/M				
	D-MD-7418034-0-0	HEAD PLATE	M				
	A-SP-7412561-0-0	HEAD, MAG, 9TRK	---				
	B-MD-7418000-0-0	BLOCK AZIMUTH ADJ	M				
	2-MD-1218010-0-0	SPRING GUIDE	M				

TYPE: E ELECTRICAL
M MECHANICAL
E/M ELECTRO/MECHANICAL

digital

TITLE
DRAWING DIRECTORY

SHEET 6 OF 6

SIZE CODE
B DD

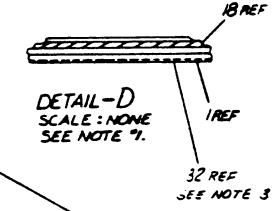
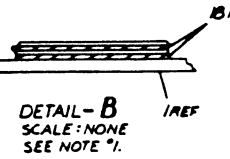
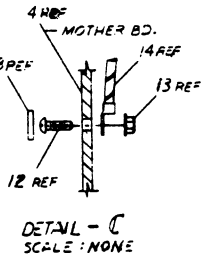
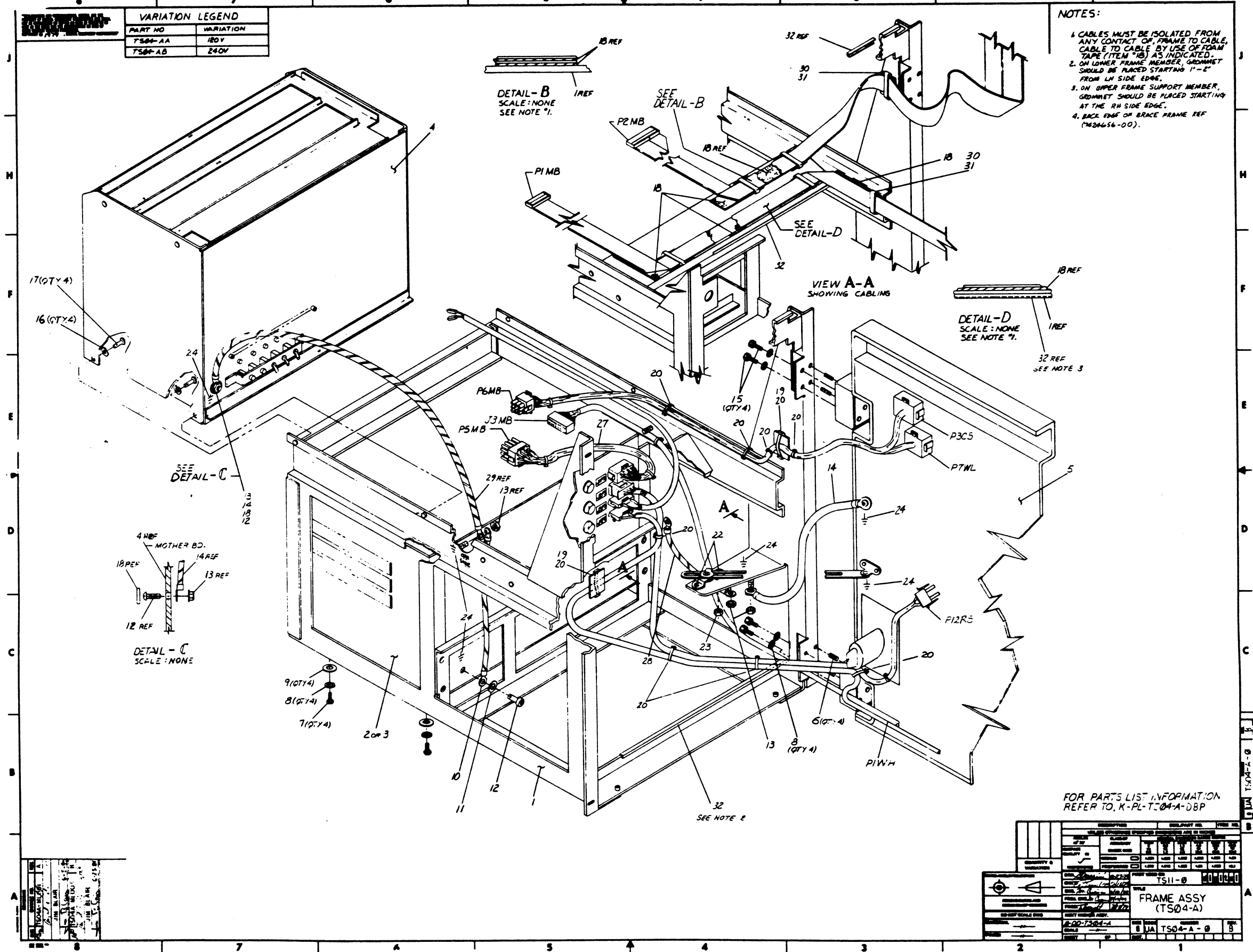
NUMBER
TSØ4-A

REV
A

VARIATION LEGEND	
PART NO	VARIATION
TS04-AA	180V
TS04-AB	240V

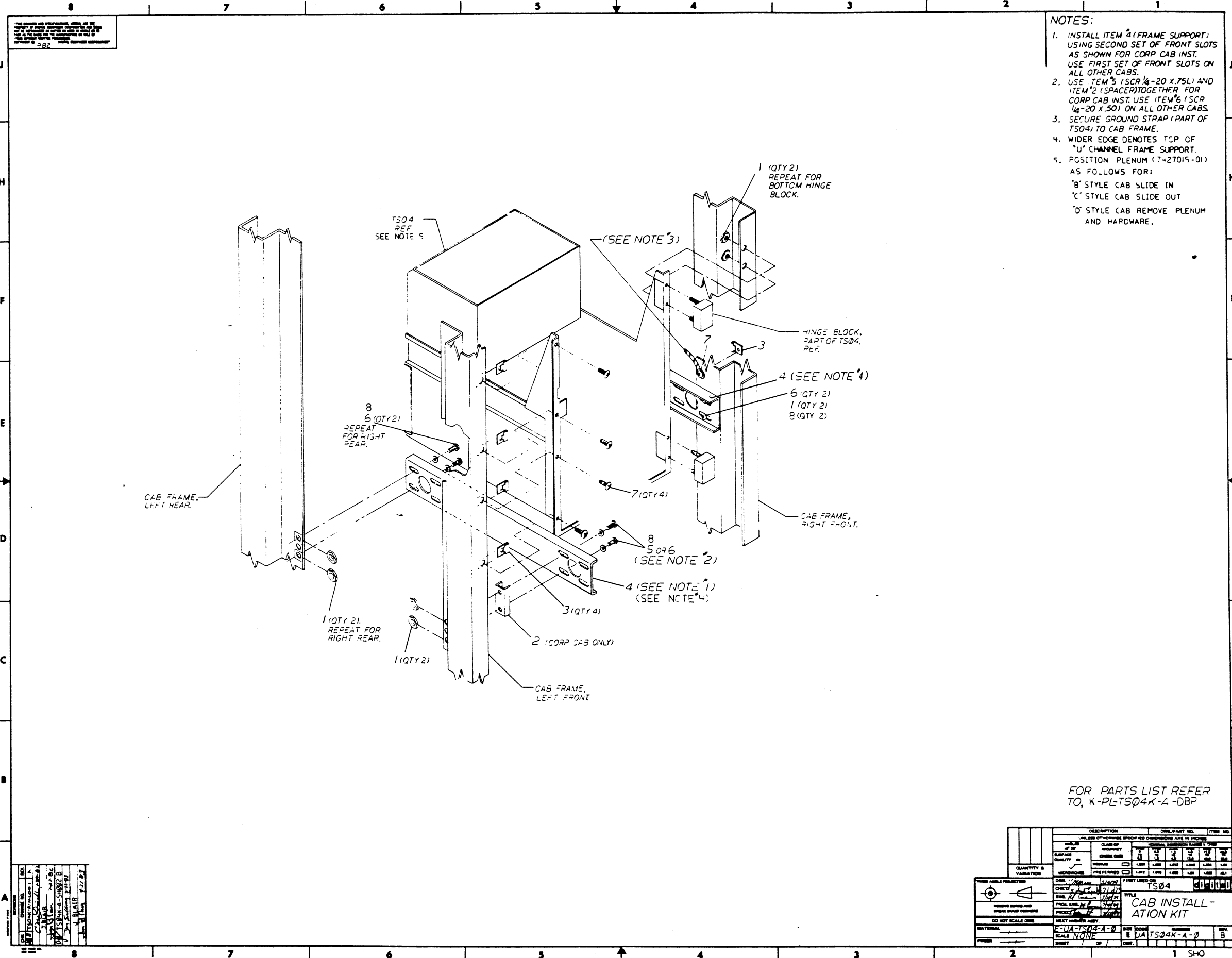
NOTES:

- CABLES MUST BE ISOLATED FROM ANY CONTACT OF FRAME TO CABLE, CABLE TO CABLE BY USE OF FOAM TAPE (ITEM #18) AS INDICATED.
- ON LOWER FRAME MEMBER, GROMMET SHOULD BE PLACED STARTING 1"-2" FROM LH SIDE EDGE.
- ON UPPER FRAME SUPPORT MEMBER, GROMMET SHOULD BE PLACED STARTING AT THE RH SIDE EDGE.
- BACK END OF BRACE FRAME REF (#20456-00).



FOR PARTS LIST INFORMATION REFER TO: K-PL-TS04-A-DBP

REV	DESCRIPTION	DATE	BY	CHKD
1	ISSUED FOR PRODUCTION			
2	REVISED TO REFLECT CHANGES			
3	REVISED TO REFLECT CHANGES			
4	REVISED TO REFLECT CHANGES			
5	REVISED TO REFLECT CHANGES			
6	REVISED TO REFLECT CHANGES			
7	REVISED TO REFLECT CHANGES			
8	REVISED TO REFLECT CHANGES			
9	REVISED TO REFLECT CHANGES			
10	REVISED TO REFLECT CHANGES			
11	REVISED TO REFLECT CHANGES			
12	REVISED TO REFLECT CHANGES			
13	REVISED TO REFLECT CHANGES			
14	REVISED TO REFLECT CHANGES			
15	REVISED TO REFLECT CHANGES			
16	REVISED TO REFLECT CHANGES			
17	REVISED TO REFLECT CHANGES			
18	REVISED TO REFLECT CHANGES			
19	REVISED TO REFLECT CHANGES			
20	REVISED TO REFLECT CHANGES			
21	REVISED TO REFLECT CHANGES			
22	REVISED TO REFLECT CHANGES			
23	REVISED TO REFLECT CHANGES			
24	REVISED TO REFLECT CHANGES			
25	REVISED TO REFLECT CHANGES			
26	REVISED TO REFLECT CHANGES			
27	REVISED TO REFLECT CHANGES			
28	REVISED TO REFLECT CHANGES			
29	REVISED TO REFLECT CHANGES			
30	REVISED TO REFLECT CHANGES			
31	REVISED TO REFLECT CHANGES			
32	REVISED TO REFLECT CHANGES			
33	REVISED TO REFLECT CHANGES			
34	REVISED TO REFLECT CHANGES			
35	REVISED TO REFLECT CHANGES			
36	REVISED TO REFLECT CHANGES			
37	REVISED TO REFLECT CHANGES			
38	REVISED TO REFLECT CHANGES			
39	REVISED TO REFLECT CHANGES			
40	REVISED TO REFLECT CHANGES			
41	REVISED TO REFLECT CHANGES			
42	REVISED TO REFLECT CHANGES			
43	REVISED TO REFLECT CHANGES			
44	REVISED TO REFLECT CHANGES			
45	REVISED TO REFLECT CHANGES			
46	REVISED TO REFLECT CHANGES			
47	REVISED TO REFLECT CHANGES			
48	REVISED TO REFLECT CHANGES			
49	REVISED TO REFLECT CHANGES			
50	REVISED TO REFLECT CHANGES			
51	REVISED TO REFLECT CHANGES			
52	REVISED TO REFLECT CHANGES			
53	REVISED TO REFLECT CHANGES			
54	REVISED TO REFLECT CHANGES			
55	REVISED TO REFLECT CHANGES			
56	REVISED TO REFLECT CHANGES			
57	REVISED TO REFLECT CHANGES			
58	REVISED TO REFLECT CHANGES			
59	REVISED TO REFLECT CHANGES			
60	REVISED TO REFLECT CHANGES			
61	REVISED TO REFLECT CHANGES			
62	REVISED TO REFLECT CHANGES			
63	REVISED TO REFLECT CHANGES			
64	REVISED TO REFLECT CHANGES			
65	REVISED TO REFLECT CHANGES			
66	REVISED TO REFLECT CHANGES			
67	REVISED TO REFLECT CHANGES			
68	REVISED TO REFLECT CHANGES			
69	REVISED TO REFLECT CHANGES			
70	REVISED TO REFLECT CHANGES			
71	REVISED TO REFLECT CHANGES			
72	REVISED TO REFLECT CHANGES			
73	REVISED TO REFLECT CHANGES			
74	REVISED TO REFLECT CHANGES			
75	REVISED TO REFLECT CHANGES			
76	REVISED TO REFLECT CHANGES			
77	REVISED TO REFLECT CHANGES			
78	REVISED TO REFLECT CHANGES			
79	REVISED TO REFLECT CHANGES			
80	REVISED TO REFLECT CHANGES			
81	REVISED TO REFLECT CHANGES			
82	REVISED TO REFLECT CHANGES			
83	REVISED TO REFLECT CHANGES			
84	REVISED TO REFLECT CHANGES			
85	REVISED TO REFLECT CHANGES			
86	REVISED TO REFLECT CHANGES			
87	REVISED TO REFLECT CHANGES			
88	REVISED TO REFLECT CHANGES			
89	REVISED TO REFLECT CHANGES			
90	REVISED TO REFLECT CHANGES			
91	REVISED TO REFLECT CHANGES			
92	REVISED TO REFLECT CHANGES			
93	REVISED TO REFLECT CHANGES			
94	REVISED TO REFLECT CHANGES			
95	REVISED TO REFLECT CHANGES			
96	REVISED TO REFLECT CHANGES			
97	REVISED TO REFLECT CHANGES			
98	REVISED TO REFLECT CHANGES			
99	REVISED TO REFLECT CHANGES			
100	REVISED TO REFLECT CHANGES			



- NOTES:**
1. INSTALL ITEM 4 (FRAME SUPPORT) USING SECOND SET OF FRONT SLOTS AS SHOWN FOR CORP CAB INST. USE FIRST SET OF FRONT SLOTS ON ALL OTHER CABS.
 2. USE ITEM 5 (SCR 1/4-20 X.75L) AND ITEM 2 (SPACER) TOGETHER FOR CORP CAB INST. USE ITEM 6 (SCR 1/4-20 X.50) ON ALL OTHER CABS.
 3. SECURE GROUND STRAP (PART OF TS04) TO CAB FRAME.
 4. WIDER EDGE DENOTES TOP OF "U" CHANNEL FRAME SUPPORT.
 5. POSITION PLENUM (7427015-01) AS FOLLOWS FOR:
 'B' STYLE CAB SLIDE IN
 'C' STYLE CAB SLIDE OUT
 'D' STYLE CAB REMOVE PLENUM AND HARDWARE.

FOR PARTS LIST REFER TO, K-PL-TS04K-2-DBP

REV	DATE	DESCRIPTION
1	12/27/87	ISSUE FOR PRODUCTION
2	1/22/88	REVISION
3	2/22/88	REVISION
4	3/22/88	REVISION
5	4/22/88	REVISION
6	5/22/88	REVISION
7	6/22/88	REVISION
8	7/22/88	REVISION

DESCRIPTION	ONE/PART NO.	ITEM NO.
CAB INSTALLATION KIT	TS04	40-0000
UNLESS OTHERWISE SPECIFIED DIMENSIONS ARE IN INCHES		
CLASS OF SURFACE FINISH	CLASS OF FINISH	CONVERSION FACTORS
<input type="checkbox"/> AS SUPPLIED <input type="checkbox"/> POLISHED <input type="checkbox"/> ANNEAL <input type="checkbox"/> PHOSPHATE <input type="checkbox"/> BLACK OXIDE <input type="checkbox"/> GALVANNEAL <input type="checkbox"/> ZINC PLATE <input type="checkbox"/> ZINC RICH <input type="checkbox"/> ZINC NICKEL <input type="checkbox"/> ZINC ALUMINUM <input type="checkbox"/> ZINC COPPER <input type="checkbox"/> ZINC SILVER <input type="checkbox"/> ZINC BARIUM <input type="checkbox"/> ZINC STRONTIUM <input type="checkbox"/> ZINC CADMIUM <input type="checkbox"/> ZINC LEAD <input type="checkbox"/> ZINC TIN <input type="checkbox"/> ZINC MANGANESE <input type="checkbox"/> ZINC NICKEL <input type="checkbox"/> ZINC ALUMINUM <input type="checkbox"/> ZINC COPPER <input type="checkbox"/> ZINC SILVER <input type="checkbox"/> ZINC BARIUM <input type="checkbox"/> ZINC STRONTIUM <input type="checkbox"/> ZINC CADMIUM <input type="checkbox"/> ZINC LEAD <input type="checkbox"/> ZINC TIN <input type="checkbox"/> ZINC MANGANESE	<input type="checkbox"/> AS SUPPLIED <input type="checkbox"/> POLISHED <input type="checkbox"/> ANNEAL <input type="checkbox"/> PHOSPHATE <input type="checkbox"/> BLACK OXIDE <input type="checkbox"/> GALVANNEAL <input type="checkbox"/> ZINC PLATE <input type="checkbox"/> ZINC RICH <input type="checkbox"/> ZINC NICKEL <input type="checkbox"/> ZINC ALUMINUM <input type="checkbox"/> ZINC COPPER <input type="checkbox"/> ZINC SILVER <input type="checkbox"/> ZINC BARIUM <input type="checkbox"/> ZINC STRONTIUM <input type="checkbox"/> ZINC CADMIUM <input type="checkbox"/> ZINC LEAD <input type="checkbox"/> ZINC TIN <input type="checkbox"/> ZINC MANGANESE	INCHES TO MILLIMETERS MILLIMETERS TO INCHES FEET TO METERS METERS TO FEET POUNDS TO KILOGRAMS KILOGRAMS TO POUNDS GALLONS TO LITERS LITERS TO GALLONS
QUANTITY & VARIATION	PREPARED	APPROVED
<input type="checkbox"/> AS SUPPLIED <input type="checkbox"/> POLISHED <input type="checkbox"/> ANNEAL <input type="checkbox"/> PHOSPHATE <input type="checkbox"/> BLACK OXIDE <input type="checkbox"/> GALVANNEAL <input type="checkbox"/> ZINC PLATE <input type="checkbox"/> ZINC RICH <input type="checkbox"/> ZINC NICKEL <input type="checkbox"/> ZINC ALUMINUM <input type="checkbox"/> ZINC COPPER <input type="checkbox"/> ZINC SILVER <input type="checkbox"/> ZINC BARIUM <input type="checkbox"/> ZINC STRONTIUM <input type="checkbox"/> ZINC CADMIUM <input type="checkbox"/> ZINC LEAD <input type="checkbox"/> ZINC TIN <input type="checkbox"/> ZINC MANGANESE	<input type="checkbox"/> AS SUPPLIED <input type="checkbox"/> POLISHED <input type="checkbox"/> ANNEAL <input type="checkbox"/> PHOSPHATE <input type="checkbox"/> BLACK OXIDE <input type="checkbox"/> GALVANNEAL <input type="checkbox"/> ZINC PLATE <input type="checkbox"/> ZINC RICH <input type="checkbox"/> ZINC NICKEL <input type="checkbox"/> ZINC ALUMINUM <input type="checkbox"/> ZINC COPPER <input type="checkbox"/> ZINC SILVER <input type="checkbox"/> ZINC BARIUM <input type="checkbox"/> ZINC STRONTIUM <input type="checkbox"/> ZINC CADMIUM <input type="checkbox"/> ZINC LEAD <input type="checkbox"/> ZINC TIN <input type="checkbox"/> ZINC MANGANESE	<input type="checkbox"/> AS SUPPLIED <input type="checkbox"/> POLISHED <input type="checkbox"/> ANNEAL <input type="checkbox"/> PHOSPHATE <input type="checkbox"/> BLACK OXIDE <input type="checkbox"/> GALVANNEAL <input type="checkbox"/> ZINC PLATE <input type="checkbox"/> ZINC RICH <input type="checkbox"/> ZINC NICKEL <input type="checkbox"/> ZINC ALUMINUM <input type="checkbox"/> ZINC COPPER <input type="checkbox"/> ZINC SILVER <input type="checkbox"/> ZINC BARIUM <input type="checkbox"/> ZINC STRONTIUM <input type="checkbox"/> ZINC CADMIUM <input type="checkbox"/> ZINC LEAD <input type="checkbox"/> ZINC TIN <input type="checkbox"/> ZINC MANGANESE
DRG. NO. 40-0000 CHKD. BY: [Signature] ENGR. BY: [Signature] PROJ. ENG. BY: [Signature] PROJ. MGR. BY: [Signature] DO NOT SCALE DIMS. MATERIAL: K-PL-TS04K-A-0 FINISH: NONE	FIRST USED ON: TS04 DATE: 12/27/87 BY: [Signature]	TITLE: CAB INSTALLATION KIT PART NO.: K-PL-TS04K-A-0 SCALE: NONE SHEET: 1 OF 1

DIGITAL EQUIPMENT CORPORATION PARTS LIST				QUANTITY / VARIATION											NOTES:					
MADE BY G. Marini DATE 2/27/79		CHECKED R. Tremblay DATE 7/18/79																		
ENG M. Cucini DATE 7/19/79		PROD T. Wright DATE 7/18/79																		
		SECTION																		
		ISSUED SECTION																		
ITEM NO.	DRAWING NO.	PART NO.	DESCRIPTION	TS11K-AA (120V)																REF DESIGNATION
1	D-AD-7016287-0-0	7016287-0	A.C. INPUT ASSY (120V)	1																
2	D-1A-1700083-0-0	1700083-00	POWER CORD ASSY (120V)	1																
3		9107253-0	TUBING SHRINK	A/R																
4	A-PS-3613210-0-0	3613210-00	LABEL (IDENTIFICATION)	1																
5		9905136-00	BOX	1																
6		9906200-01	PACKING BUBBLE PACK	A/R																
7		9009357-00	2" MASKING TAPE	A/R																

E.C.O. NO.
ML001
ML002

"THIS DRAWING AND SPECIFICATIONS, HEREIN, ARE THE PROPERTY OF DIGITAL EQUIPMENT CORPORATION AND SHALL NOT BE REPRODUCED OR COPIED OR USED IN WHOLE OR IN PART AS THE BASIS FOR THE MANUFACTURE OR SALE OF ITEMS WITHOUT WRITTEN PERMISSION. COPYRIGHT © 1979 DIGITAL EQUIPMENT CORPORATION"

TITLE
240V to 120V TS11 CONVERSION KIT

ASSY NO.
NONE
SHEET 1 OF 1

SIZE CODE
B **PL**
NUMBER
TS11K-AA-Ø

REV.
B

INSERTION PARTS LIST DATA BASE REV

DIGITAL EQUIPMENT CORPORATION PARTS LIST				QUANTITY / VARIATION										NOTES:				
MADE BY G. Marini DATE 2/27/79		CHECKED Robert Tremblay DATE 7/18/79																
ENG M. Cucina DATE 7/19/79		PROD T. Wright DATE 7/18/79																
ITEM NO.	DRAWING NO.	PART NO.	DESCRIPTION	TS11K-AB (240V)														REF DESIGNATION
1	D-AD-7016287-0-0	7016287-01	A.C. INPUT ASSY (240V)	1														
2	D-1A-1700083-0	17-00083-17	POWER CORD ASSY (240V)	1														
3		9107253-0	TUBING SHRINK	A/R														
4	A-PS-3613210-0-0	3613210-00	LABEL (IDENTIFICATION)	1														
5		9905136-00	BOX	1														
6		9906200-01	PACKING BUBBLE PACK	A/R														
7		9009357-00	2" MASKING TAPE	A/R														

E.C.O. NO.
ML001
ML002

"THIS DRAWING AND SPECIFICATIONS, HEREIN, ARE THE PROPERTY OF DIGITAL EQUIPMENT CORPORATION AND SHALL NOT BE REPRODUCED OR COPIED OR USED IN WHOLE OR IN PART AS THE BASIS FOR THE MANUFACTURE OR SALE OF ITEMS WITHOUT WRITTEN PERMISSION. COPYRIGHT © 1979 DIGITAL EQUIPMENT CORPORATION"			TITLE 120V to 240V TS11 CONVERSION KIT		ASSY NO. NONE		SIZE B	CODE PL	NUMBER TS11K-AB-Ø	REV. B
					SHEET 1 OF 1		INSERTION PARTS LIST DATA BASE REV			

ML2

REV. D NUMBER 5412989-0 SIZE CODE BDD

DRAWING NO.	NO. OF SHTS	PART NO.	DESCRIPTION	REVISIONS																	
				A	B	C	D	E	F	G	H	I	J	K							
B-DD-5412989-0	1		MOTHER BOARD TS04	*	A	B	C	D													
E-UA-5412989-0-0	4		MOTHER BOARD TS04	D	E	F	F	F													
D-CS-5412989-0-1	8		MOTHER BOARD TS04	D	E	F	F	F													
E-MD-5012988-0-0	5		DRILL & ETCH DRAWING	D	E	E	F	H													
		5012988	ETCHED BOARD	E	E	E	E	E													
K-PL-5412989-0-DBP	-		PARTS LIST DATA BASE (5412989)	D	E	F	F	F													
K-PC-5412989-0-DBG	-		P.C. DESIGN DATA BASE (5412989)	A	A	A	A	A													

NOTES:

REVISIONS		ORIG	A	B	C	D
DATE	CHG NO.	REV.				
3-79		ML001				
3-80		ML002				
8-82		ML004				
9-82		SM005				

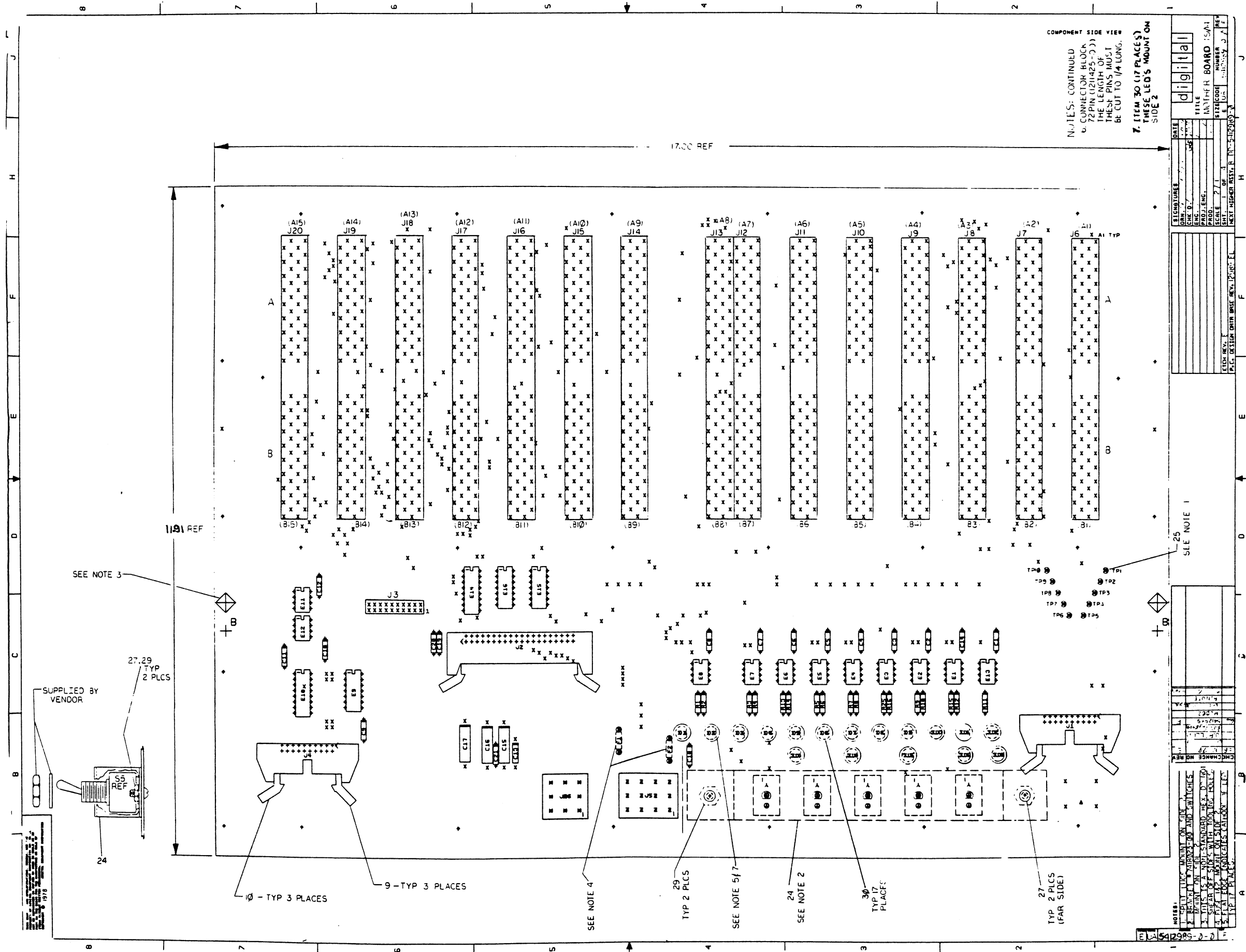
"THIS DRAWING AND SPECIFICATIONS, HEREIN, ARE THE PROPERTY OF DIGITAL EQUIPMENT CORPORATION AND SHALL NOT BE REPRODUCED OR COPIED OR USED IN WHOLE OR IN PART AS THE BASIS FOR THE MANUFACTURE OR SALE OF ITEMS WITHOUT WRITTEN PERMISSION. COPYRIGHT © 1978 DIGITAL EQUIPMENT CORPORATION"



USED ON OPTION/MODEL
TS11

DRN	ANGEL A. COLON	12-7-78
CHK'D	PHIL BOSSMAN	12-12-78
ENG	J. Rollins	2-1-79
PROD	Peter Barton	2-1-79

TITLE			
MOTHER BOARD TS04			
SIZE CODE	NUMBER	REV.	
BDD	5412989-0	D	
SHEET 1 OF 1			



NOTES: CONTINUED
 6. CONNECTOR BLOCK
 7. ITEM 30 (17 PLACES)
 THESE LED'S MOUNT ON
 SIDE 2

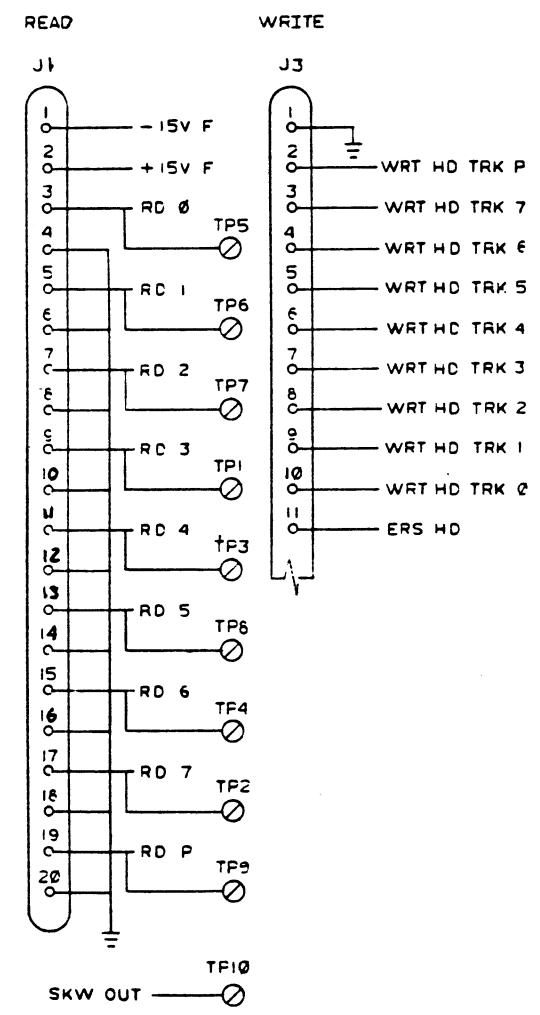
DATE	7/71
DESIGNED BY	...
CHECKED BY	...
PROJECT	...
SCALE	1:1
PROJ. ENGR.	...
TITLE	MOTHER BOARD (5A1)
REV. NO.	...
DATE	...
BY	...
CHECKED	...
DATE	...
BY	...

REVISION	DATE	BY	DESCRIPTION
1
2
3
4
5
6
7
8
9
10
11
12
13
14
15
16
17
18
19
20
21
22
23
24
25

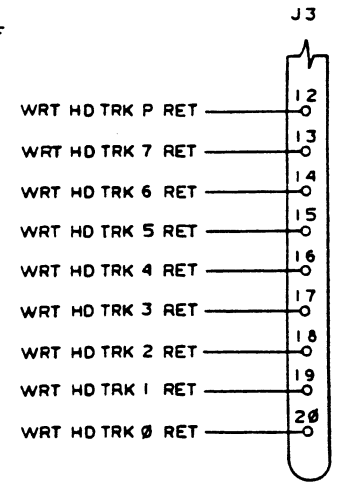
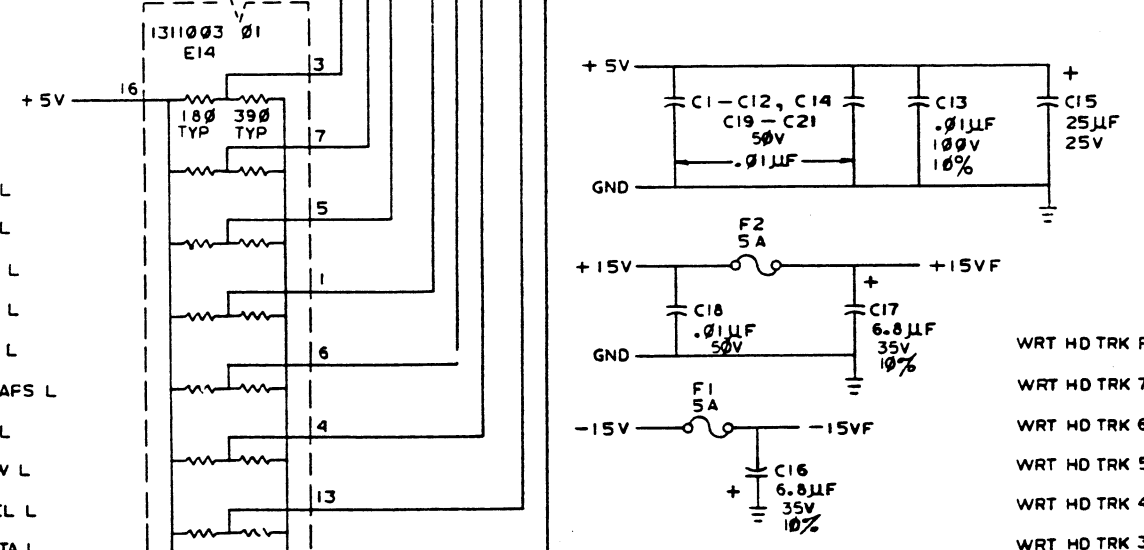
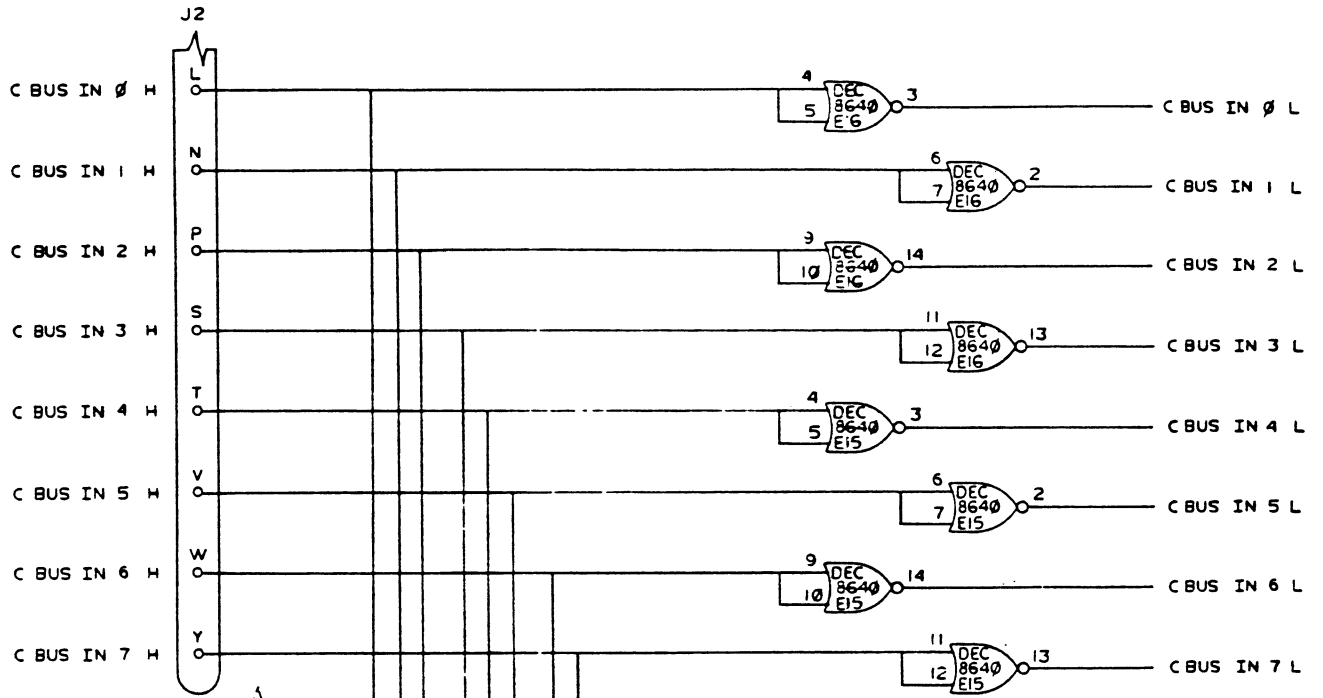
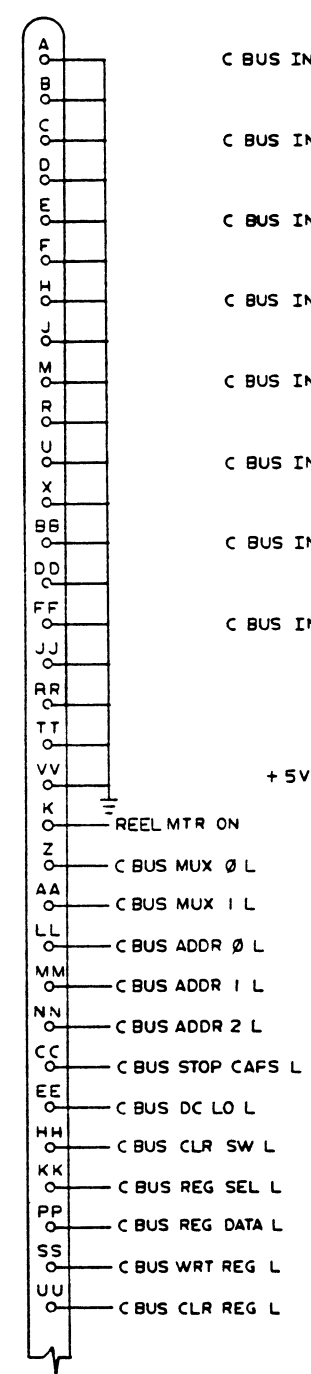
NOTES:
 1. ALL IC'S MOUNT ON TOP
 2. REVERSE SIDE FOR J1 AND J2
 3. THIS IS A NOT-STANDARD HEX. OPTION
 4. PINS OF SLOTS WITH TOOLING HALLS
 5. PINS MUST BE MOUNTED ON TOP
 6. ALL IC'S MOUNTED ON TOP
 7. TYP 17 PLACES

THIS DRAWING AND SPECIFICATIONS HEREIN ARE THE PROPERTY OF DIGITAL EQUIPMENT CORPORATION AND SHALL NOT BE REPRODUCED OR COPIED OR USED IN WHOLE OR IN PART AS THE BASIS FOR THE MANUFACTURE OR SALE OF ITEMS WITHOUT WRITTEN PERMISSION. COPYRIGHT © 1974, DIGITAL EQUIPMENT CORPORATION

1-0-5412989-0 2



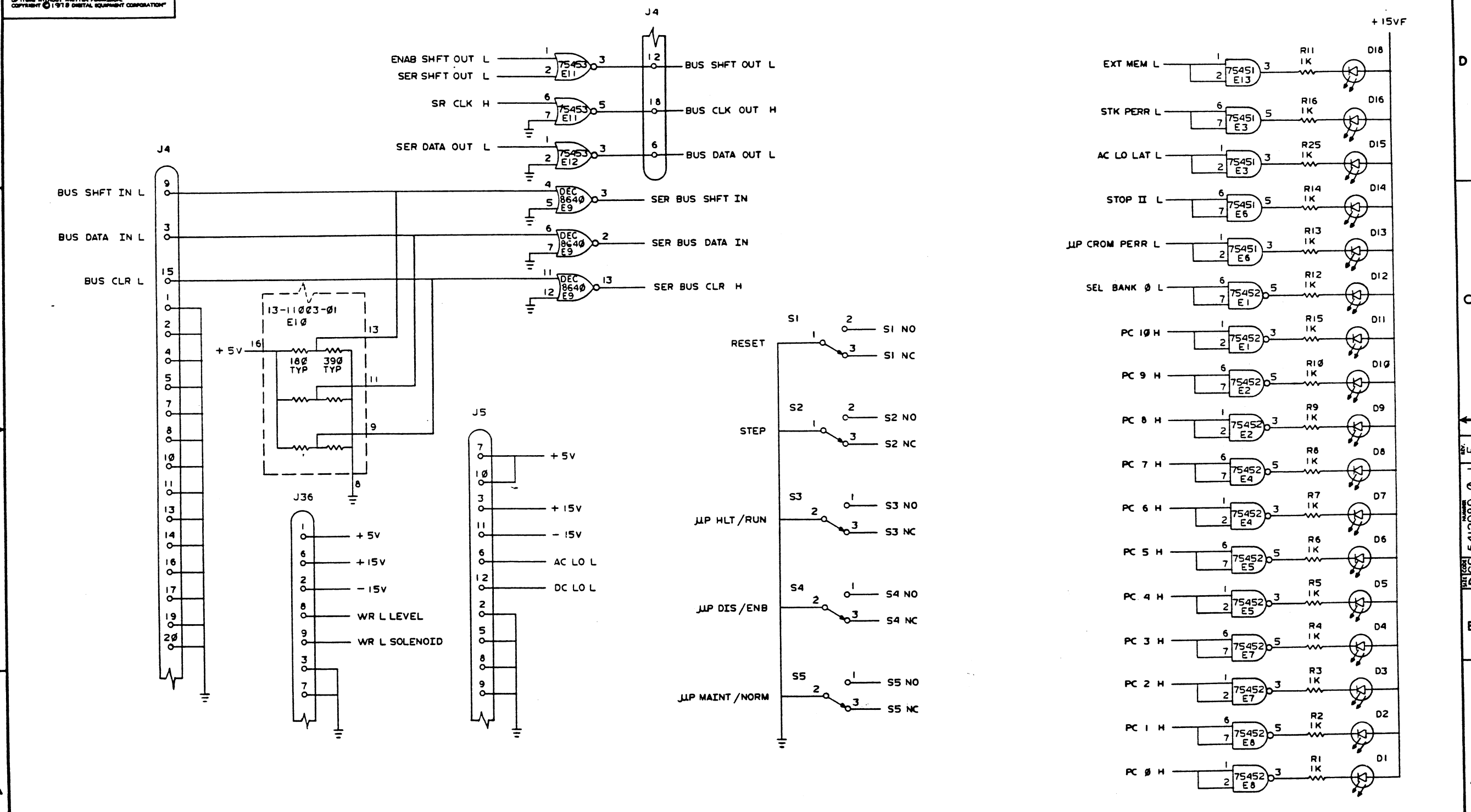
CAPSTAN J2



REV.	CHG.	DATE	BY	REASON
1		11/17/77	J. ROLLINS	INITIAL DESIGN
2		1/16/79	R. NUTE	REVISED FOR MANUFACTURE

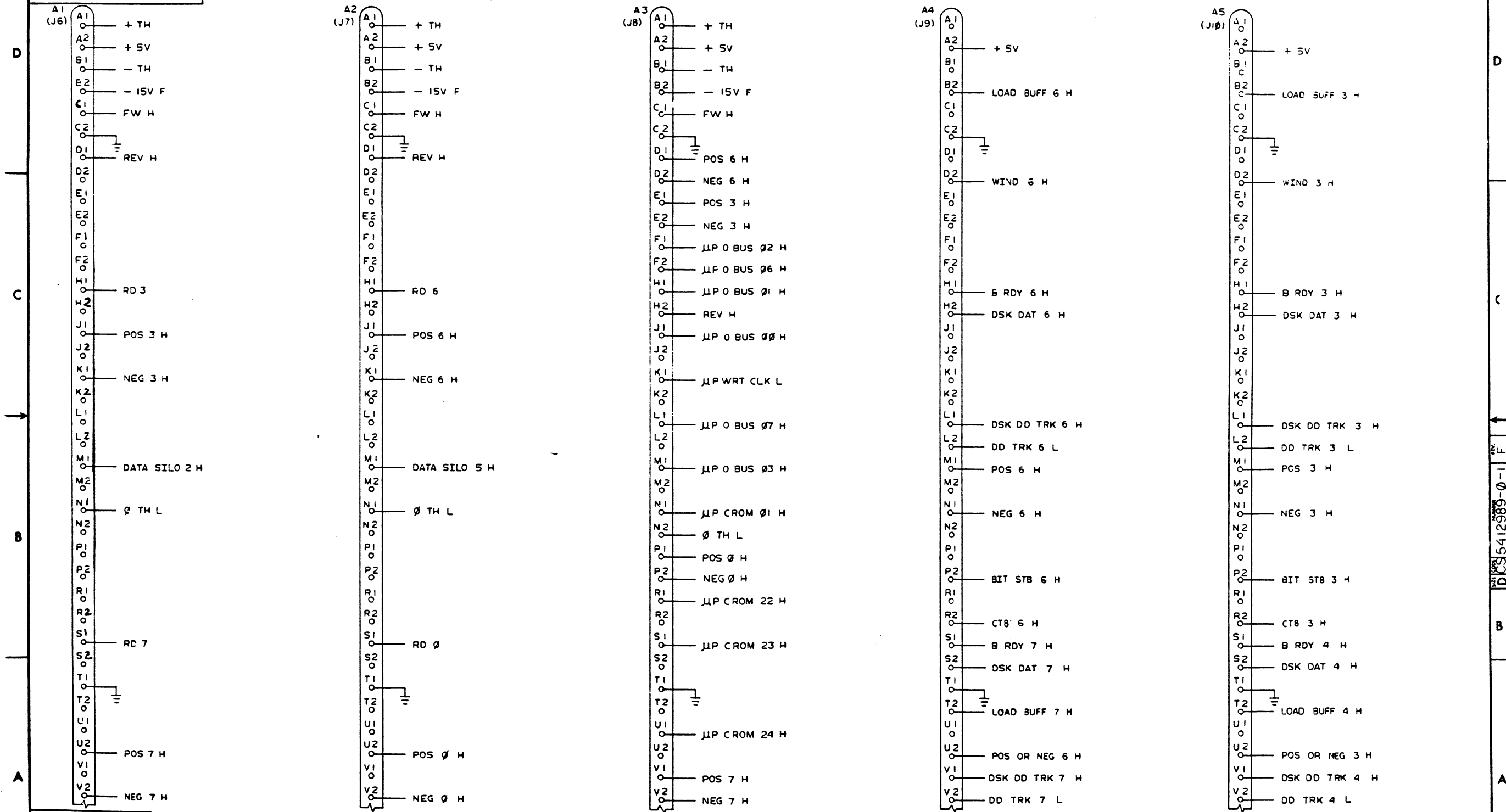
DRN. J. ROLLINS 11/17/77	FIRST USED ON	TS11	digital
CHK'D BY J. ROLLINS 11/17/77	ENGR. J. ROLLINS 1/16/79	TITLE	
PROJ. ENG. J. ROLLINS 1/16/79		MOTHER BOARD	
NEXT HIGHER ASSY.		TS04	
B-DD-5412989-0	SIZE CODE	NUMBER	REV.
SCALE NONE	D	CS 5412989-0-1	F
SHEET 1 OF 8	DIST.		

THIS DRAWING AND SPECIFICATIONS HEREIN ARE THE PROPERTY OF DIGITAL EQUIPMENT CORPORATION AND SHALL NOT BE REPRODUCED OR COPIED OR USED IN WHOLE OR IN PART AS THE BASIS FOR THE MANUFACTURE OR SALE OF ITEMS WITHOUT WRITTEN PERMISSION. COPYRIGHT © 1978 DIGITAL EQUIPMENT CORPORATION



REVISIONS		
CHK	CHANGE NO.	REV.

THIS DRAWING AND SPECIFICATIONS, HEREIN, ARE THE PROPERTY OF DIGITAL EQUIPMENT CORPORATION AND SHALL NOT BE REPRODUCED OR COPIED OR USED IN WHOLE OR IN PART AS THE BASIS FOR THE MANUFACTURE OR SALE OF ITEMS WITHOUT WRITTEN PERMISSION. COPYRIGHT © 1976 DIGITAL EQUIPMENT CORPORATION

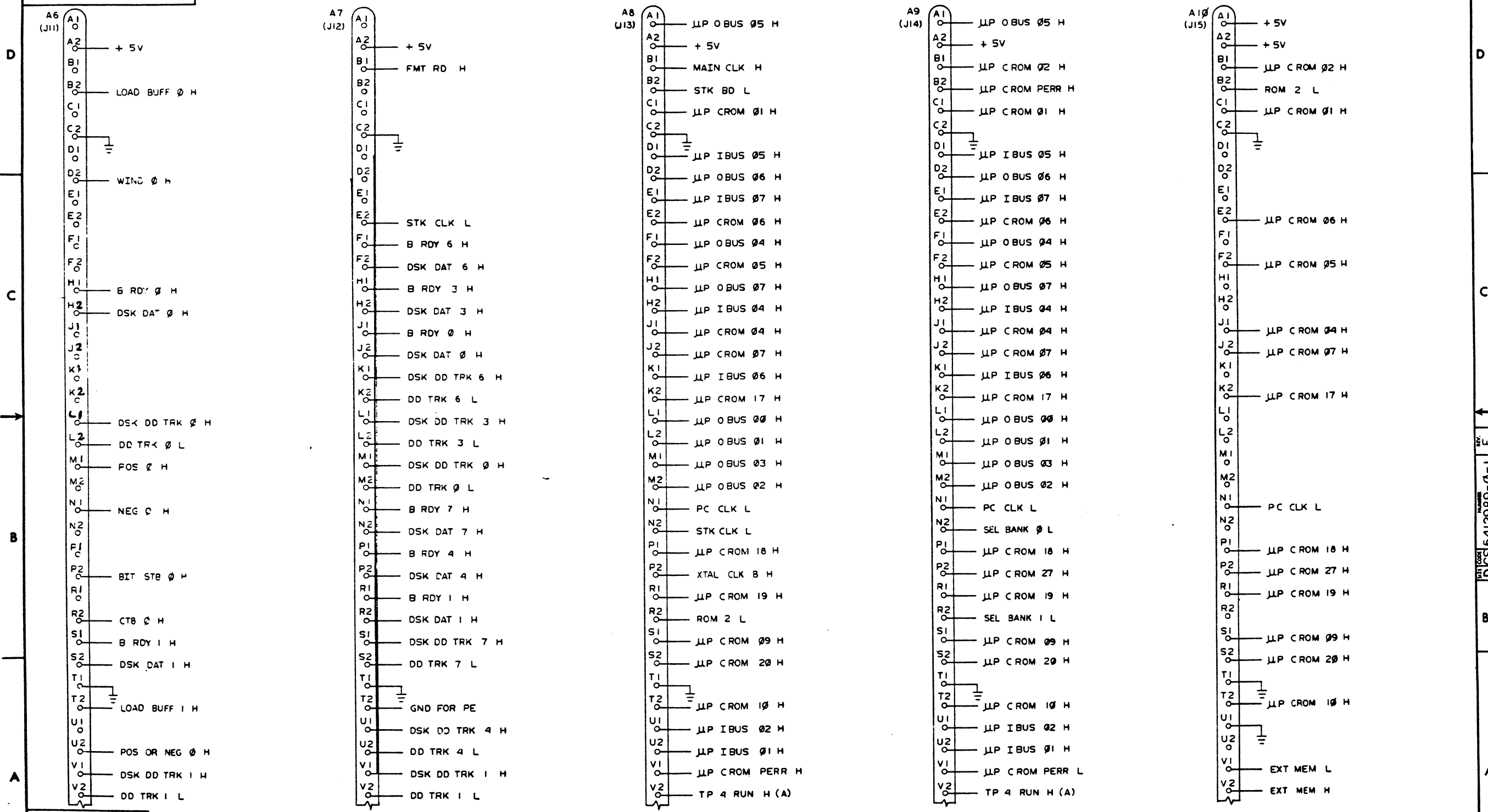


REVISIONS		
CHK	CHANGE NO.	REV.

CS 5412989-0-1 F

THIS DRAWING AND SPECIFICATIONS HEREIN ARE THE PROPERTY OF DIGITAL EQUIPMENT CORPORATION AND SHALL NOT BE REPRODUCED OR COPIED OR LOANED IN WHOLE OR IN PART AS THE BASIS FOR THE MANUFACTURE OR SALE OF ITEMS WITHOUT WRITTEN PERMISSION. COPYRIGHT © 1978 DIGITAL EQUIPMENT CORPORATION

D CS 5412989-0-1 2

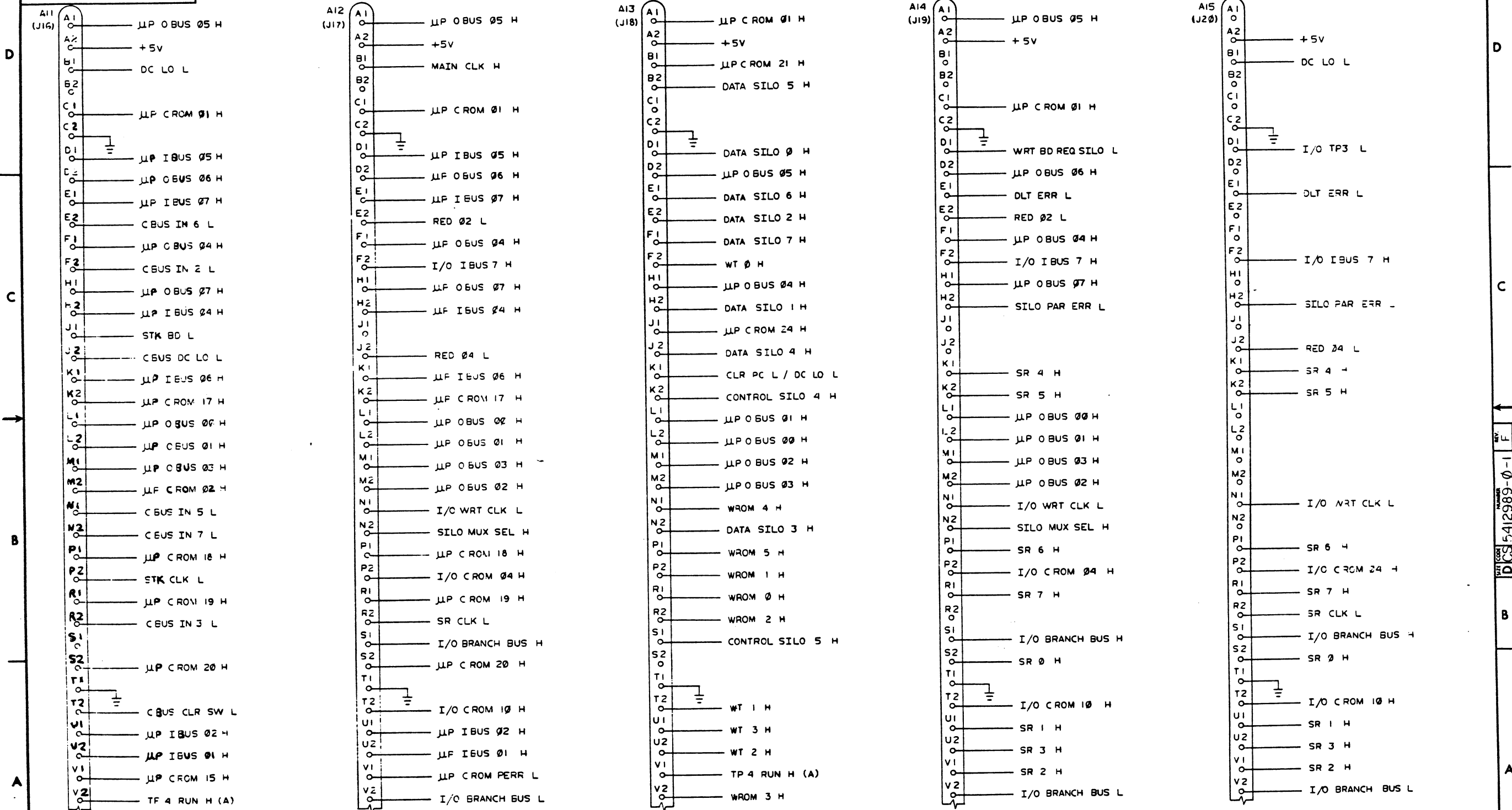


D CS 5412989-0-1 F

REVISIONS		
CHK	CHANGE NO.	REV.

TITLE	MOTHER BOARD	SIZE CODE	D CS	NUMBER	5412989-0-1	REV.	F
SCALE	NONE	SHEET	4	OF	8	DIST.	

THIS DRAWING AND SPECIFICATIONS HEREIN ARE THE PROPERTY OF DIGITAL EQUIPMENT CORPORATION AND SHALL NOT BE REPRODUCED OR COPIED OR USED IN WHOLE OR IN PART AS THE BASIS FOR THE MANUFACTURE OR SALE OF ITEMS WITHOUT WRITTEN PERMISSION. COPYRIGHT © 1978 DIGITAL EQUIPMENT CORPORATION

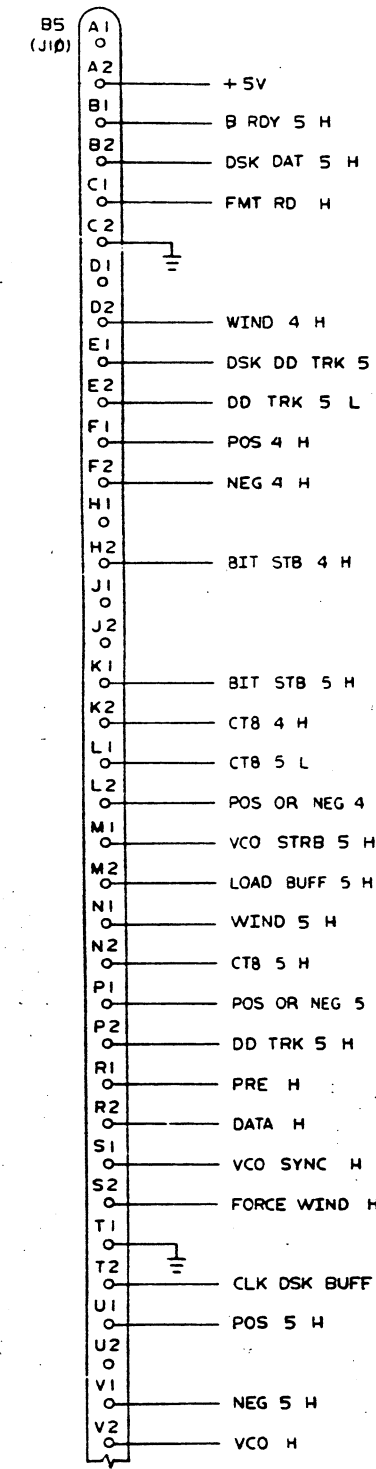
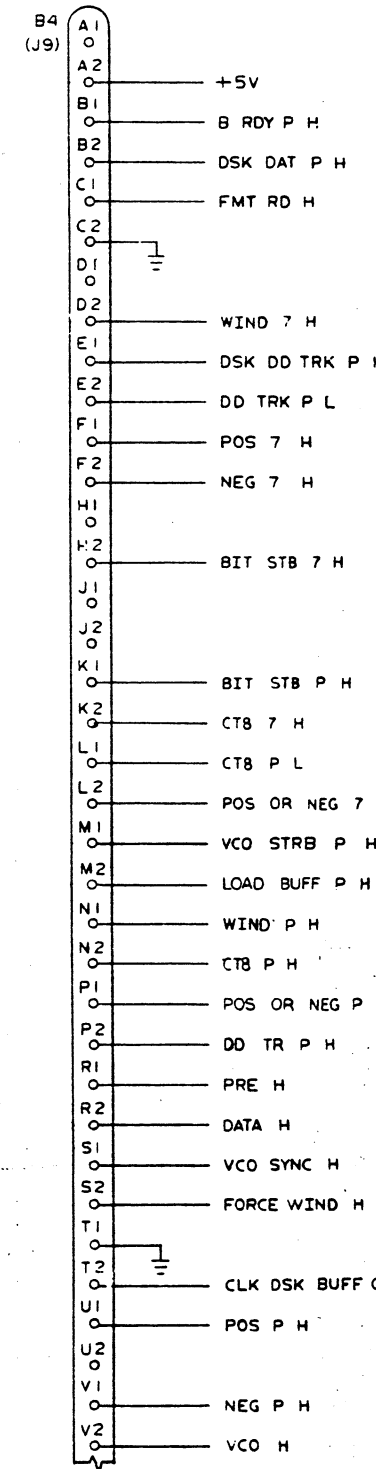
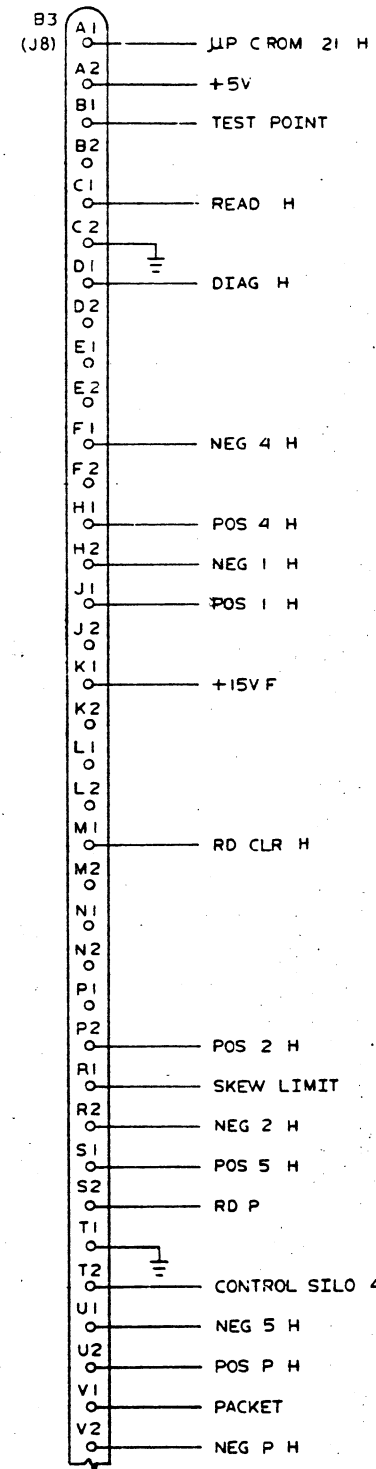
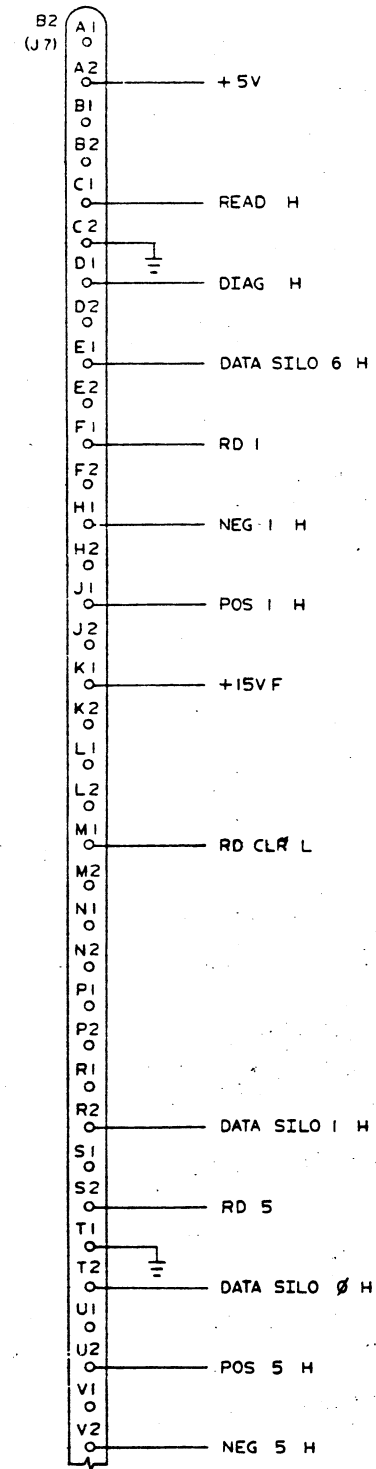
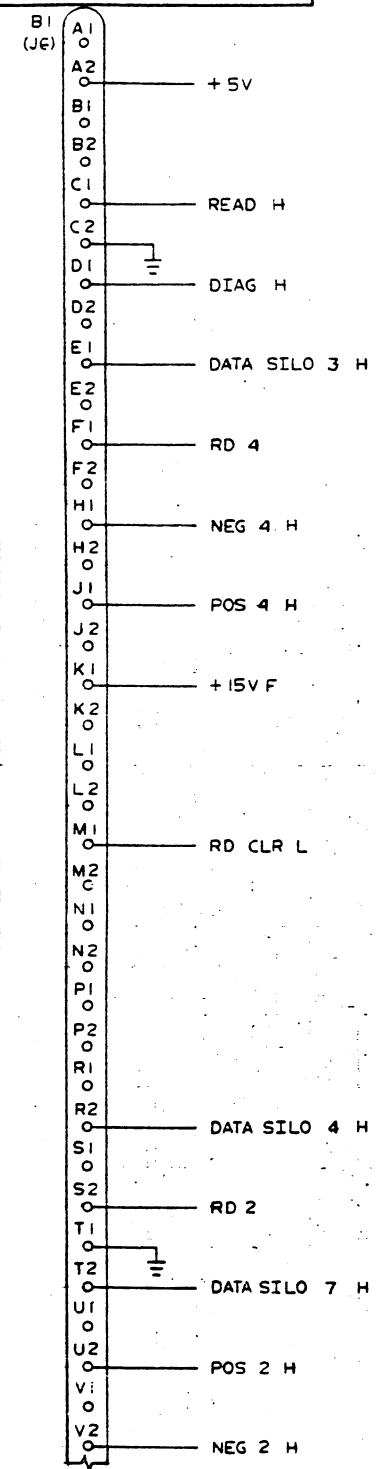


REVISIONS		
CHK	CHANGE NO.	REV.

TITLE	MOTHER BOARD TS04	SIZE/COO	D CS	NUMBER	5412989-0-1	REV.	F
SCALE	NONE	SHEET	5	OF	8	DIST.	

REV. 5412989-0-1 F

THIS DRAWING AND SPECIFICATIONS HEREIN ARE THE PROPERTY OF DIGITAL EQUIPMENT CORPORATION AND SHALL NOT BE REPRODUCED OR COPIED OR USED IN WHOLE OR IN PART AS THE BASIS FOR THE MANUFACTURE OR SALE OF ITEMS WITHOUT WRITTEN PERMISSION. COPYRIGHT © 1978 DIGITAL EQUIPMENT CORPORATION.



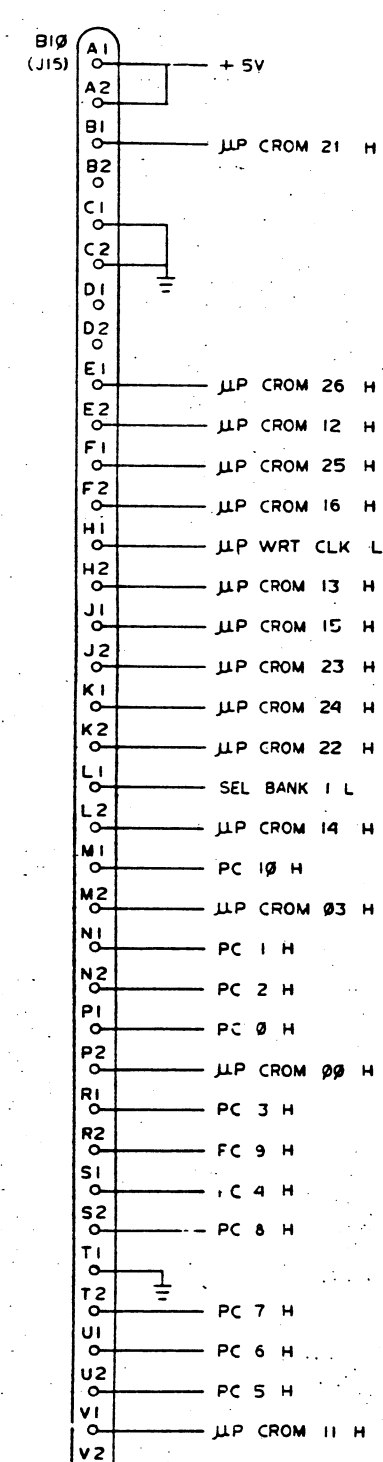
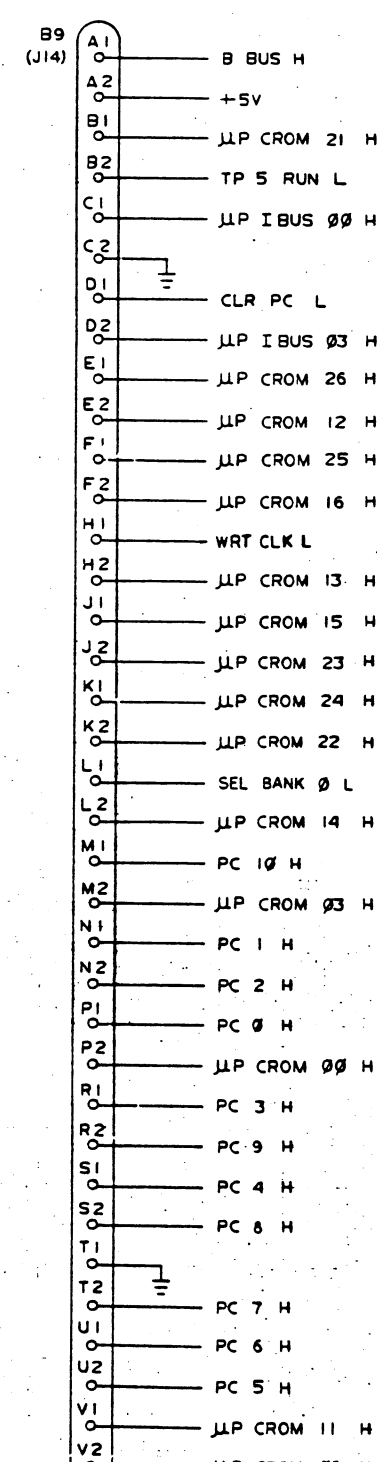
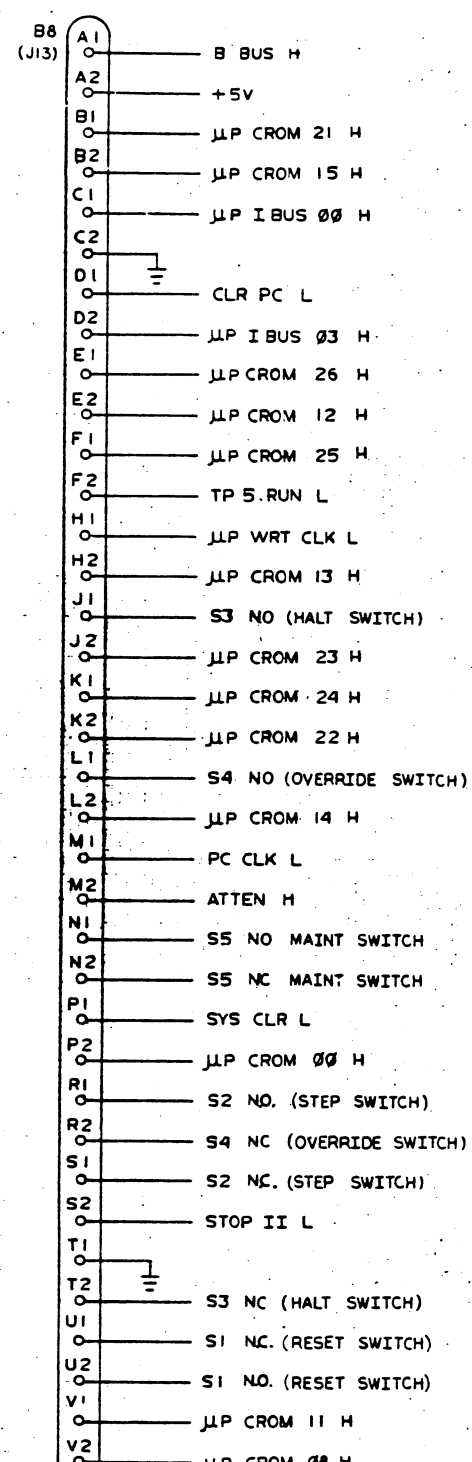
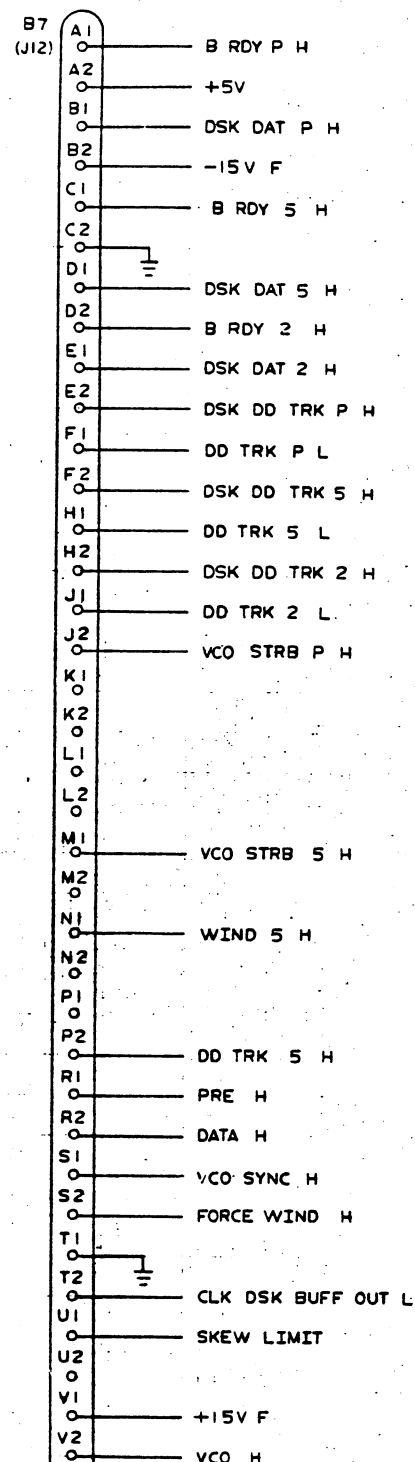
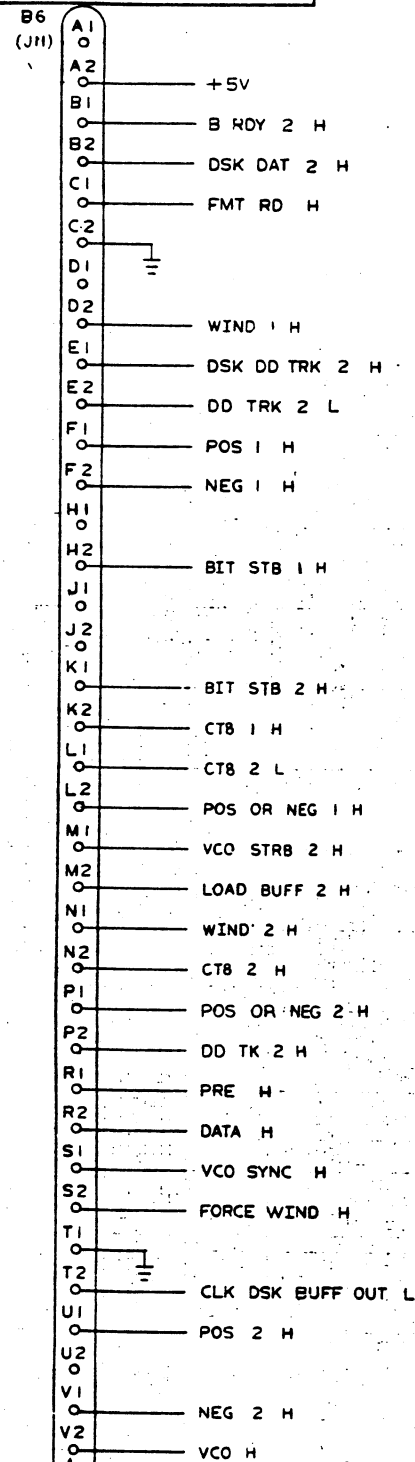
REVISIONS		
CHK	CHANGE NO.	REV.

TITLE	MOTHER BOARD	SIZE CODE	D CS	NUMBER	5412989-0-1	REV.	F
SCALE	NONE	SHELV	6 OF 8	DIST.			

REV. E DCS 5412989-0-1

"THE DRAWING AND SPECIFICATIONS HEREIN ARE THE PROPERTY OF DIGITAL EQUIPMENT CORPORATION AND SHALL NOT BE REPRODUCED OR COPIED OR USED IN WHOLE OR IN PART AS THE BASIS FOR THE MANUFACTURE OR SALE OF ITEMS WITHOUT WRITTEN PERMISSION. COPYRIGHT © 1978 DIGITAL EQUIPMENT CORPORATION"

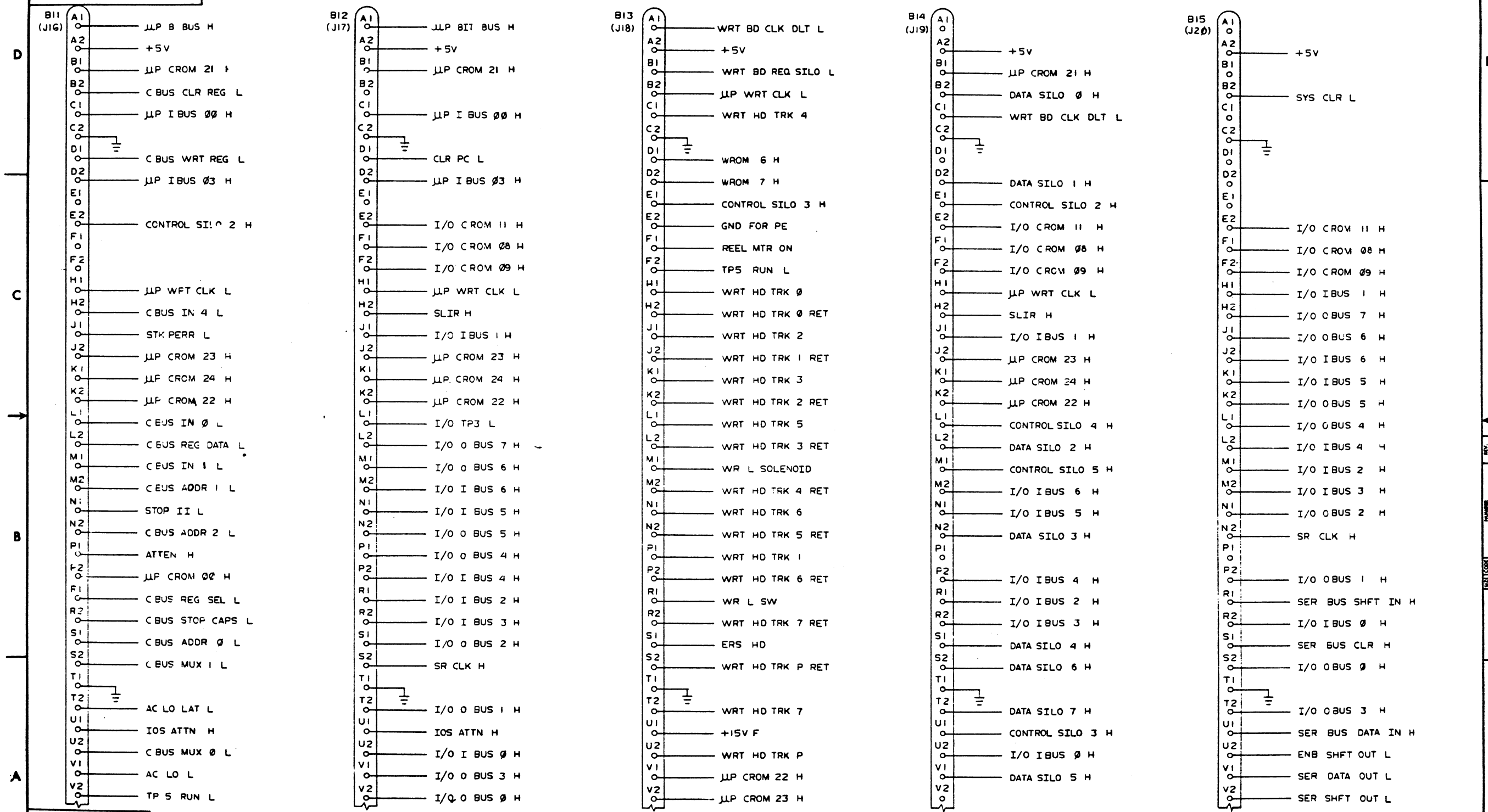
DCS 5412989-0-1 2



REVISIONS		
CHK	CHANGE NO.	REV.

TITLE MOTHER BOARD TS04
 SIZE 000B NUMBER DCS 5412989-0-1 REV. F
 SCALE NONE SHEET 7 OF 8 DIST.

THIS DRAWING AND SPECIFICATIONS HEREIN ARE THE PROPERTY OF DIGITAL EQUIPMENT CORPORATION AND SHALL NOT BE REPRODUCED OR COPIED OR USED IN WHOLE OR IN PART AS THE BASIS FOR THE MANUFACTURE OR SALE OF ITEMS WITHOUT WRITTEN PERMISSION. COPYRIGHT © 1978 DIGITAL EQUIPMENT CORPORATION



REVISIONS		
CHK	CHANGE NO.	REV.

REV. 1 E DCS 5412989-0-1

LINE ITEM	DOCUMENT NUMBER	PART NUMBER	DESCRIPTION	QTY PER VARIATION 00	REFERENCE DESIGNATOR	
1	1	5012988-00	TS04 LOGIC BACKPLANE	1		
2	2	1000075-00	25 MFD 25V 6% 30D AL EL	1	C15	
3	3	1001610-00	.01 MFD 50V +80-20% Z5UCER	17	C1-C12,C14,C18-C20,C21	
4	4	1005306-00	6.8MFD 35V 10% S.TANT	2	C16,C17	
5	5	1005784-00	.01 MFD 100V 10% 663VW MYLR	1	C13	
6	6	1110324-00	LED 1MCD@10MA PIV=3	17	D1-D16,D18	
7	7	1209590-00	SW,TOG 1P 5A ON/NONE/ON	3	S3-S5	
8	8	1209941-02	HEADER 100 40POS RT ANGLE	1	J2	
9	9	USED ON J1,J2,J4.	1209941-03	HEADER RT ANGLE LEFT L	3	
10	10	USED ON J1,J2,J4.	1209941-04	HEADER RT ANGLE,RIGHT	3	
11	11	1209941-06	HEADER.100 20POS RT ANGLE	2	J1,J4	
12	12	1205747-00	FUSE, SUB-MINI, 5.000A, 125V, A	2	F1,F2	
13	13	1211079-00	SW,PB 1P 1A	2	S1,S2	
14	14	1211425-00	CONN,CARD 72PIN SLOTTED DOUBLE	15	J6-J20	
15	15	1212297-02	MATE-N-LOK 9PIN UNIV HEADER	1	J36	
16	16	1212297-06	MATE-N-LOK 12PIN UNIV HEADER	1	J5	
17	17	1213335-00	HEADER 20POS RT ANGLE FOR 12	1	J3	
18	18	1300365-00	1.0 K .25 W 5.0 % CC	17	R1-R16,R25	
19	19	1311003-01	R NETWORK 14-180 14-390 16PIN	2	E10,E14	
20	20	1910406-00	75451 DRIVER,PERIPH,DUAL,	3	E3,E6-E13	
21	21	1910645-00	75452 DRIVER,PERIPH,DUAL,	6	E1,E2,E4,E5,E7,E8	
22	22	1911036-00	75453 DRIVER,PERIPH,DUAL,	2	E11,E12	
23	23	1911469-00	DEC 8640 RECEIVER,BUS,QUAD,U	3	E9,E15,E16	
24	24	7418023-00	BRACKET SWITCH	1		
25	25	9006735-00	EYELET, FUNNEL FLANGE, .059 OD X	14		
26	26	USED ON S1-S5.	9008437-00	*** THIS ITEM IS NOT USED ***	-	
27	27	9006021-01	SCREW,PAN,PHIL 6-32X 5/16 SS	2		
28	28	9006709-00	*** THIS ITEM IS NOT USED ***	-		
29	29	9006560-00	NUT,KEP , 6-32 X5/16AF	2		
30	30	SEE NOTE.	1210695-00	WASHER MOUNT LIGHT EMIT DIODE	17	

REVISION HISTORY		BASIC PART NO: 5412989		DRN: S. TUTTLE		DATE: 7-27-78		D I G I T A L	
ENG	ECO NUMBER	REV	SECTION A OF A	CHK'D:	P. ROSSMAN	DATE:	10-23-78	TITLE	PARTS LIST
---	INIT	D	SECTION.VARIATION INDEX	DES.ENG:	J. ROLLINS	DATE:	10-23-78	DOCUMENT NUMBER	
J.R	5412989-ML001	E	[A] 00	RESP.ENG.:	J. ROLLINS	DATE:	10-23-78	SIZE	CODE
RN	5412989-ML002	F	[B]	MFG.ENG.:	P. BARTON	DATE:	10-23-778	PL	5412989-0-DBP
			[C]	ASSEMBLY NUMBER:		TOP DOCUMENT NUMBER:		FILE NAME:	EDIT #
			[D]	E-UA-5412939-0-0		TS04		Z0301F.PLS	14
			[E]						
			[F]						
			[G]						
			[H]						
			[I]						
			[J]						
			[K]						
			[L]						
			[M]						
			[N]						

*THIS DRAWING AND SPECIFICATIONS HEREIN, ARE THE PROPERTY OF DIGITAL EQUIPMENT CORPORATION AND SHALL NOT BE REPRODUCED OR COPIED OR USED IN WHOLE OR IN PART AS THE BASIS FOR THE MANUFACTURE OR SALE OF ITEMS WITHOUT WRITTEN PERMISSION. COPYRIGHT (C) 1980. DIGITAL EQUIPMENT CORPORATION *

AUTOMATED BY PRTLST.2E(2)

PARTS LIST

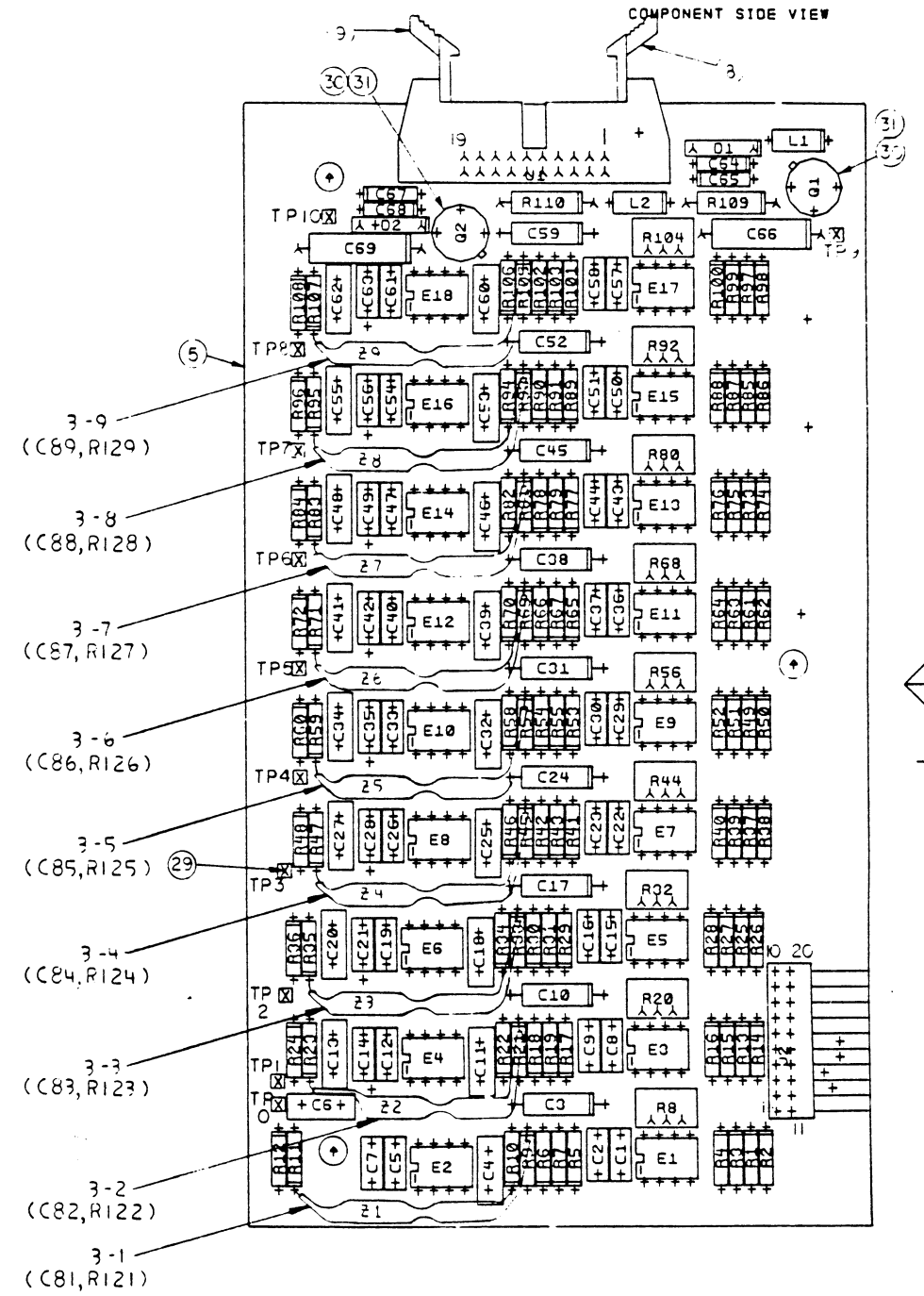
SHEET A2 OF A2

LINE ITEM	DOCUMENT NUMBER	PART NUMBER	DESCRIPTION	QTY PER VARIATION	REFERENCE DESIGNATOR
31	31	9107370-00	WIRE,STRND,14AWG,IPVC UL1534	00	A/R

32 NOTE: ITEM #30 USED UNDER D1-D16,D18.

D	I	G	I	T	A	L	TITLE	SECTION A OF A	SIZE	CODE	DOCUMENT NUMBER	REV
							MOTHER BOARD TS04		K	PL	5412989-0-DBP	F

THIS DRAWING AND SPECIFICATIONS, HEREIN, AND THE PROPERTY OF SISCO, EQUIPMENT CORPORATION AND SHALL NOT BE REPRODUCED OR COPIED IN WHOLE OR IN PART OR IN ANY MANNER FOR THE MANUFACTURE OR SALE OF ITEMS WITHOUT WRITTEN PERMISSION. SISCO, EQUIPMENT CORPORATION © 1978



NOTES:
 1. NO GP TEST REQUIRED.
 2. SPECIAL TESTER G/77 REQUIRED.

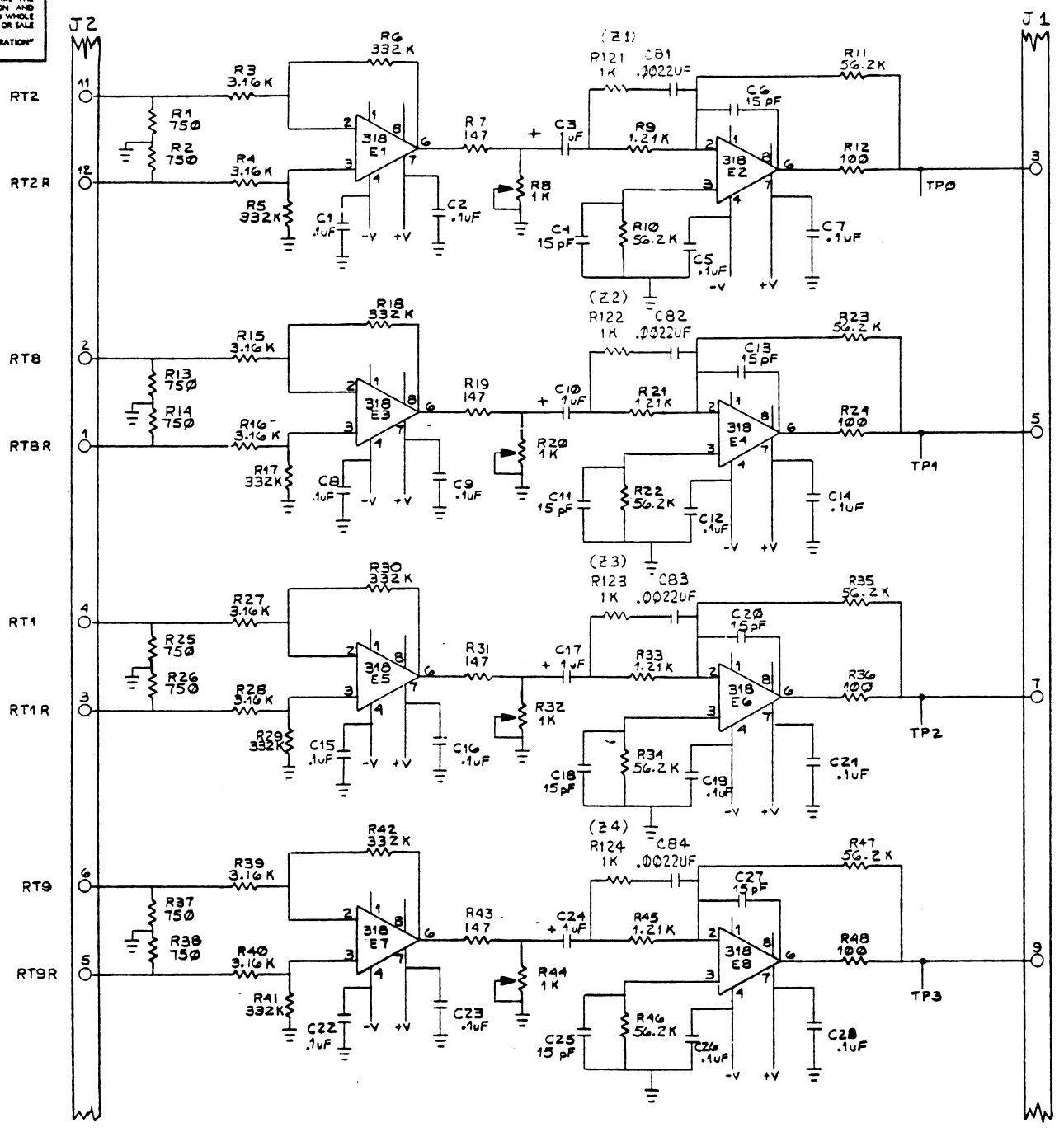
CHG	NO	REV	REVISION
C	1		REVISED
C	2		REVISED
C	3		REVISED
C	4		REVISED
C	5		REVISED
C	6		REVISED
C	7		REVISED
C	8		REVISED
C	9		REVISED
C	10		REVISED
C	11		REVISED
C	12		REVISED
C	13		REVISED
C	14		REVISED
C	15		REVISED
C	16		REVISED
C	17		REVISED
C	18		REVISED
C	19		REVISED
C	20		REVISED
C	21		REVISED
C	22		REVISED
C	23		REVISED
C	24		REVISED
C	25		REVISED
C	26		REVISED
C	27		REVISED
C	28		REVISED
C	29		REVISED
C	30		REVISED
C	31		REVISED
C	32		REVISED
C	33		REVISED
C	34		REVISED
C	35		REVISED
C	36		REVISED
C	37		REVISED
C	38		REVISED
C	39		REVISED
C	40		REVISED
C	41		REVISED
C	42		REVISED
C	43		REVISED
C	44		REVISED
C	45		REVISED
C	46		REVISED
C	47		REVISED
C	48		REVISED
C	49		REVISED
C	50		REVISED
C	51		REVISED
C	52		REVISED
C	53		REVISED
C	54		REVISED
C	55		REVISED
C	56		REVISED
C	57		REVISED
C	58		REVISED
C	59		REVISED
C	60		REVISED
C	61		REVISED
C	62		REVISED
C	63		REVISED
C	64		REVISED
C	65		REVISED
C	66		REVISED
C	67		REVISED
C	68		REVISED
C	69		REVISED
C	70		REVISED
C	71		REVISED
C	72		REVISED
C	73		REVISED
C	74		REVISED
C	75		REVISED
C	76		REVISED
C	77		REVISED
C	78		REVISED
C	79		REVISED
C	80		REVISED
C	81		REVISED
C	82		REVISED
C	83		REVISED
C	84		REVISED
C	85		REVISED
C	86		REVISED
C	87		REVISED
C	88		REVISED
C	89		REVISED
C	90		REVISED
C	91		REVISED
C	92		REVISED
C	93		REVISED
C	94		REVISED
C	95		REVISED
C	96		REVISED
C	97		REVISED
C	98		REVISED
C	99		REVISED
C	100		REVISED

ETCH REV. D	P.C. DESIGN DATA BASE REV. D-PI
-------------	---------------------------------

SIGNATURES	DATE	digital	
DRN. P. NICHOLLS	7-18-78		
CHK. D.	7-23-78		
ENG. J. COLLINS	7-23-78	TITLE	
PROJ. ENG. J. COLLINS	7-23-78	TS04 PRE - AMP	
PROD. J. COLLINS	7-23-78	SCALE 2:1	
SIZE	CODE	NUMBER	REV
1	0	UA	G057-0-0
SHT. 1	OF 4	NEXT HIGHER ASSY. B-DD-G057-0	

1 MS#80808

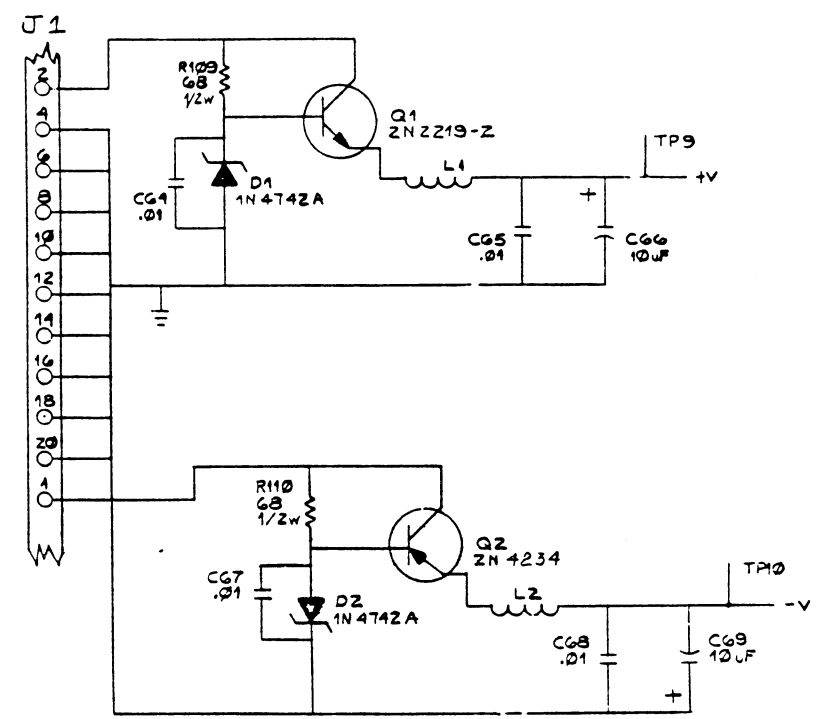
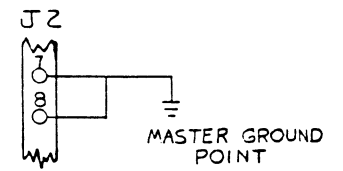
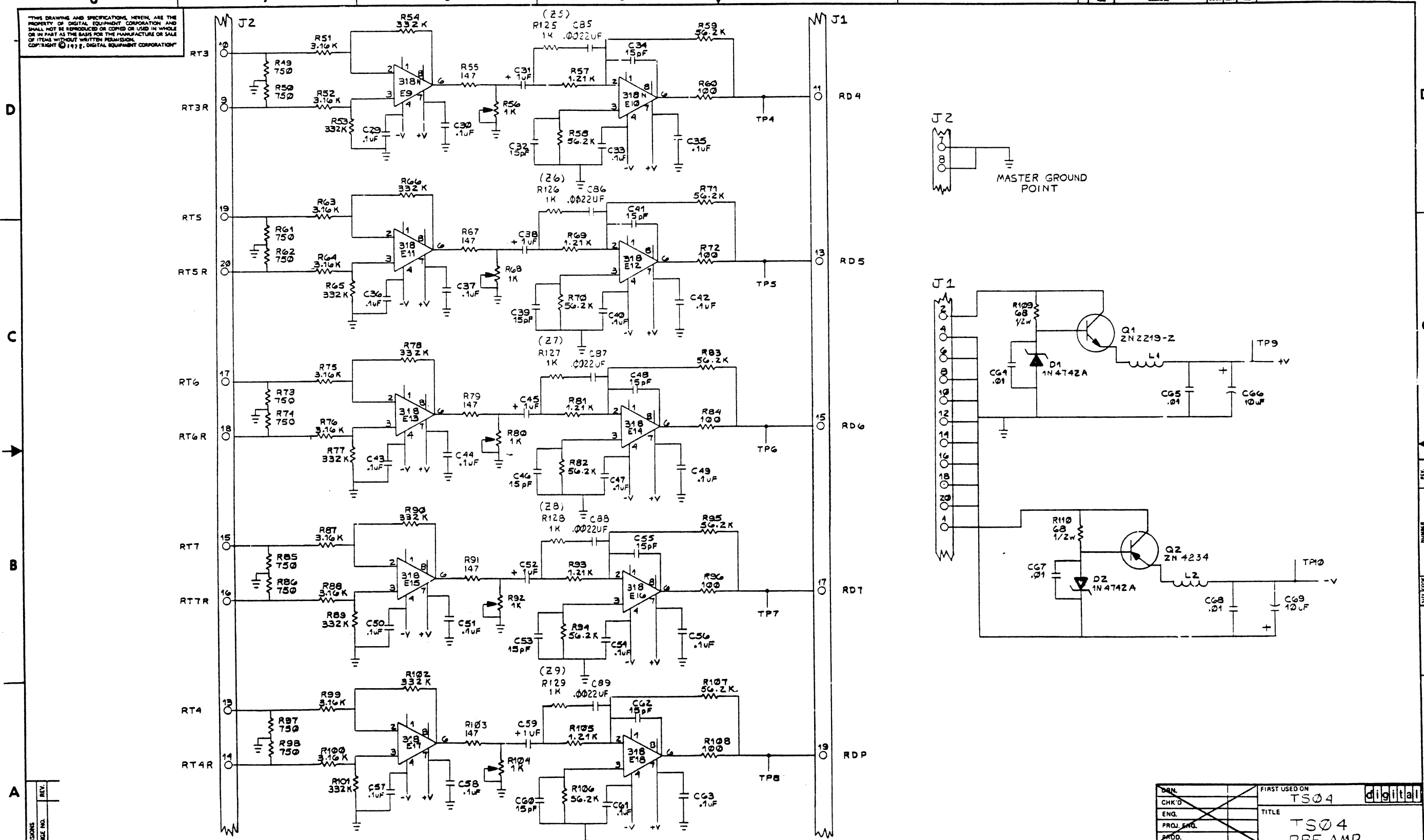
"THIS DRAWING AND SPECIFICATIONS, HEREIN, ARE THE PROPERTY OF DIGITAL EQUIPMENT CORPORATION AND SHALL NOT BE REPRODUCED OR COPIED OR USED IN WHOLE OR IN PART AS THE BASIS FOR THE MANUFACTURE OR SALE OF ITEMS WITHOUT WRITTEN PERMISSION. COPYRIGHT © 1972, DIGITAL EQUIPMENT CORPORATION"



REV.	CHANGE NO.	REVISIONS
1		REVISED AND DRAWN
2		REVISED AND DRAWN
3		REVISED AND DRAWN
4		REVISED AND DRAWN
5		REVISED AND DRAWN
6		REVISED AND DRAWN
7		REVISED AND DRAWN
8		REVISED AND DRAWN

DRN. S. EVANS	6-29-78	FIRST USED ON	TS04	digital
CHK'D	9-26-78	TITLE	TS04	
ENG. J. ROLLINS	9-28-78	TITLE	TS04	
PROJ. ENG. J. ROLLINS	9-28-78	TITLE	TS04	
PROD. J. ROLLINS		TITLE	TS04	
NEXT HIGHER ASSY.				
B-DD-G057-0	SIZE CODE	NUMBER	REV.	
SCALE	D	CS	G057-0-1	E
SHEET 1 OF 2	DIST.			

THIS DRAWING AND SPECIFICATIONS HEREIN ARE THE PROPERTY OF DIGITAL EQUIPMENT CORPORATION AND SHALL NOT BE REPRODUCED OR COPIED OR USED IN WHOLE OR IN PART AS THE BASIS FOR THE MANUFACTURE OR SALE OF ITEMS WITHOUT WRITTEN PERMISSION. COPYRIGHT © 1972, DIGITAL EQUIPMENT CORPORATION



REV.	
CHG.	
REV.	
CHG.	
REV.	
CHG.	

DRN.		FIRST USED ON	TS04	digital
CHK'D		TITLE	TS04 PREAMP	
ENG.				
PROJ. ENG.				
PROD.				
NEXT HIGHER ASSY.				
B-LD-G057-0	SIZE	CODE	NUMBER	REV.
SCALE	D	CS	G057-0-1	F
SHEET	2	OF	2	DIST.

AUTOMATED BY PRTLST.2E(3)

PARTS LIST

SHEET A1 OF A2

LINE	ITEM	DOCUMENT NUMBER	PART NUMBER	DESCRIPTION	QTY PER VARIATION	REFERENCE DESIGNATOR
1	1	D-CS-G057-0-1		CIRCUIT SCHEMATIC	REF	
2	2	D-UA-G057-0-0		UNIT ASSEMBLY	REF	
3	3	B-DD-G057-0-0		DRAWING DIRECTORY	REF	
4	4	D-MD-5011944-0-0		DRILL & ETCH DRAWING	REF	
5	5		5011944-00	G057	1	
6	6		1002427-00	15.0 MMF 100V 5%200PPM MICA	18	C4, C6, C11, C13, C18, C20, C25, C27, C32, C34, C39, C41, C46, C48, C53, C55, C60, C62
7	7		1213488-02	PCB, HEADER 20PIN(2X10).100CC STR	1	J2
8	8		1209941-03	PCB, HEADER LATCH	1	
9	9		1209941-04	PCB, HEADER LATCH	1	
10	10		1209941-06	PCB, HEADER 20PIN(2X20).100CC 90D	1	J1
11	11		1910735-02	318 OP AMP	18	E1-E18
12	12		1001610-00	.01 MFD 50V +80-20% Z5U CER	4	C64, C65, C67, C68
13	13		1010978-36	.1 MFD 50V 10% CER	36	C1, C2, C5, C7, C8, C9, C12, C14, C15, C16, C19, C21, C22, C23, C26, C28, C29, C30, C33, C35, C36, C37, C40, C42, C43, C44, C47, C49, C50, C51, C54, C56, C57, C58, C61, C63
14	14		1001776-00	1 MFD 35V 10% S.TANT	9	C3, C10, C17, C24, C31, C38, C45, C52, C59
15	15		1004813-00	10 MFD 20V 10% S TANT	2	C66, C69
16	16		1109502-02	1N 4742A VZ= 12.0 5% 1W	2	D1, D2
17	17		1302874-00	147.0 .25 W 1.0 % RN55D-F10	9	R7, R19, R31, R43, R55, R67, R79, R91, R103
18	18		1309405-00	68.0 .50 W 5.0 % CF	2	R109, R110
19	19		1302858-00	100.0 .25 W 1.0 % RN55D-F10	9	R12, R24, R36, R48, R60, R72, R84, R96, R108
20	20		1302955-00	750.0 .25 W 1.0 % RN55D-F10	18	R1, R2, R13, R14, R25, R26, R37, R38, R49, R50, R61, R62, R73, R74, R85, R86.

REVISION HISTORY		BASIC PART NO: 0G057		DRN:	J. FITZGERALD	DATE:	19-SEP-78	D I G I T A L			
ENG:	ECO NUMBER	REV	SECTION A OF A	CHK'D:	P. KENDRICK	DATE:	19-SEP-78	TITLE PARTS LIST			
CL	INIT	C	SECTION VARIATION INDEX	DES. ENG:	J. ROLLINS	DATE:	19-SEP-78	DOCUMENT NUMBER			
J.R	G057-ML002	D	[A] 00	RESP. ENG.:	M. F.	DATE:	19-SEP-78	SIZE	CODE	NUMBER	REV
R.N	G057-SH003	E	[B]	MFG. ENG.:	G. DILLARD	DATE:	19-SEP-78	K	PL	G057-0-DBP	E
			[C]	ASSEMBLY NUMBER:	D-UA-G057-0-0	TOP DOCUMENT NUMBER:	#B-DD-G057-0	FILE NAME:		Z0200E.PLS	EDIT
			[D]								10
			[E]								
			[F]								
			[G]								
			[H]								
			[I]								
			[J]								
			[K]								
			[L]								
			[M]								
			[N]								

"THIS DRAWING AND SPECIFICATIONS HEREIN, ARE THE PROPERTY OF DIGITAL EQUIPMENT CORPORATION AND SHALL NOT BE REPRODUCED OR COPIED OR USED IN WHOLE OR IN PART AS THE BASIS FOR THE MANUFACTURE OR SALE OF ITEMS WITHOUT WRITTEN PERMISSION. COPYRIGHT (C) 1983. DIGITAL EQUIPMENT CORPORATION "

AUTOMATED BY PRTLST.2E(3)

P A R T S L I S T

SHEET A2 OF A2

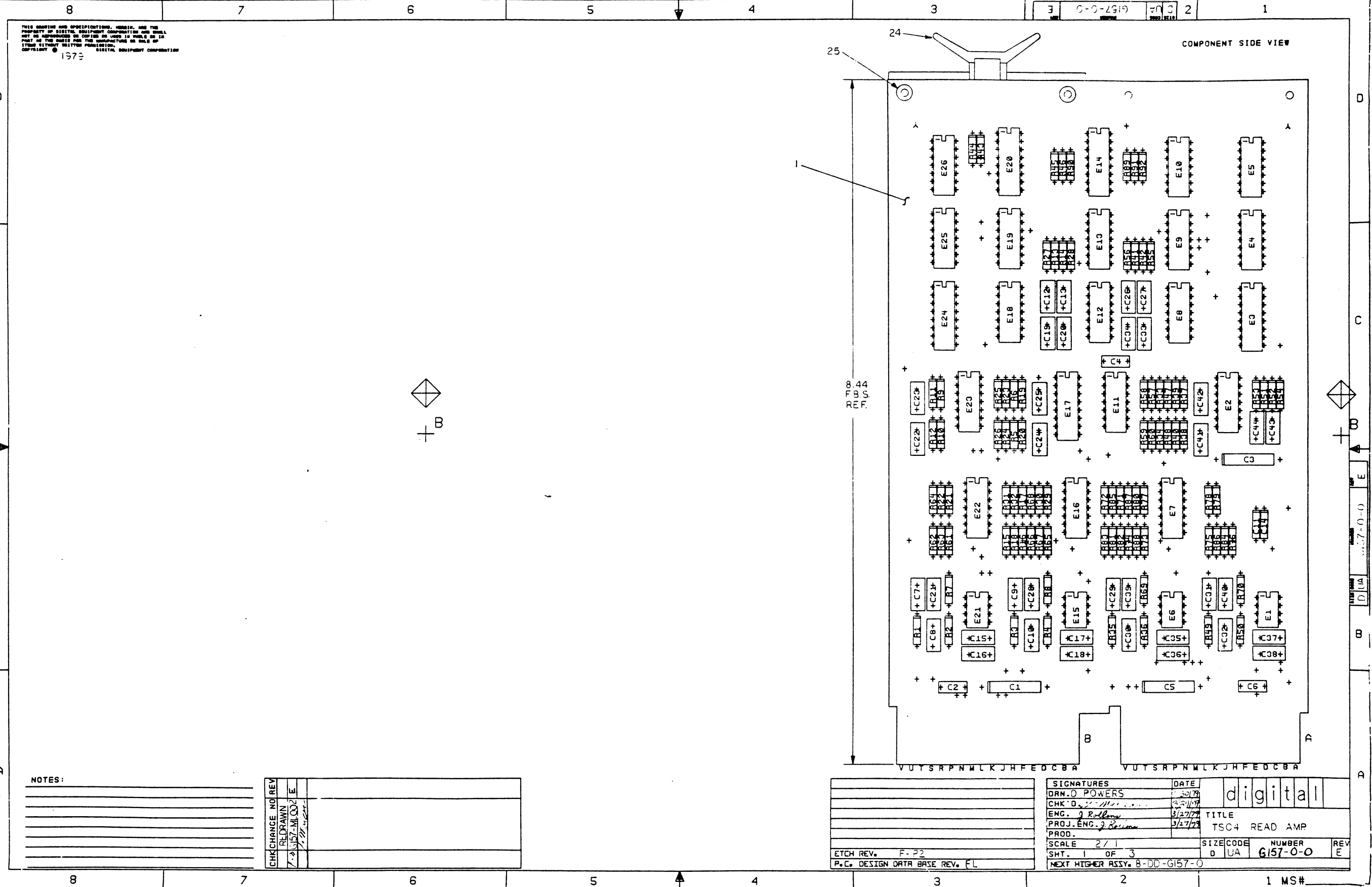
LINE	ITEM	DOCUMENT NUMBER	PART NUMBER	DESCRIPTION	QTY	PER VARIATION	REFERENCE DESIGNATOR
					00		
21	21		1302871-00	1.21 K .25 W 1.0 * RN55D-F10	9	CONT	R97,R98
22	22		1303045-00	3.16 K .25 W 1.0 * RN55D-F10	18	CONT	R9,R21,R33,R45,R57,R69,R81,R93, R105
23	23		1312747-00	56.20 K .25 W 1.0 * RN55D-F10	18	CONT	R3,R4,R15,R16,R27,R28,R39,R40, R51,R52,R63,R64,R75,R76,R87,R88, R99,R100
24	24		1312985-00	332.0 K .25 W 1.0 * RN55D-F10	18	CONT	R10,R11,R22,R23,R34,R35,R46,R47, R58,R59,R70,R71,R82,R83,R94,R95, R106,R107
25	25		1315900-00	1.0 K .50 W10.0 * POT	9	CONT	R5,R6,R17,R18,R29,R30,R41,R42, R53,R54,R65,R66,R77,R78,R89,R90, R101,R102
26	26		1501883-00	DEC2219-2 NPN 3WC SI 30100 M	1	CONT	R8,R20,R32,R44,R56,R68,R80,R92, R104
27	27		1504809-00	2N 4234 PNP 5W TO-5	1		Q1
28	28		1611257-01	CHOKE(CERAMIC BEAD)AXIAL LEAD,ON	2		Q2
29	29		1210385-01	PCB HEADER PIN	11		L1,L2
30	30		1210001-00	HEAT SINKS,TO-5 .500DX0.25	2		TP0-TP10
31	31		9007201-00	PAD,MOUNTING,COMPONENT	2		
32	32		1300365-00	1.0 K .25 W 5.0 * CF	9		R121-R129
33	33		1009957-00	.0022 MFD 100V 10% MYLR	9		C81-C89
34	34	QTY IS IN INCHES.	9107254-09	TUBING,SHRINK .187ID EXP	16		

35 NOTE: USED ON: OPTION/MODEL TS04
 36 NOTE: ITEMS 32, 33, AND 34 WHEN ASSEMBLED MAKE Z1-Z9.

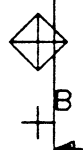
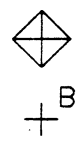
D	I	G	I	T	A	L	TITLE	SECTION A	OF A	SIZE	CODE	DOCUMENT NUMBER	REV
							TS04 PRE-AMP			K	PL	G057-0-DBP	E

THIS DRAWING AND SPECIFICATIONS, HEREIN, ARE THE PROPERTY OF DIGITAL EQUIPMENT CORPORATION AND SHALL NOT BE REPRODUCED OR COPIED OR USED IN WHOLE OR IN PART AS THE BASIS FOR THE MANUFACTURE OR SALE OF ITEMS WITHOUT WRITTEN PERMISSION.
 DIGITAL EQUIPMENT CORPORATION
 1979

COMPONENT SIDE VIEW



24
25



NOTES:

CHK	CHANGE	NO	REV
	RE		
	DRAWN		

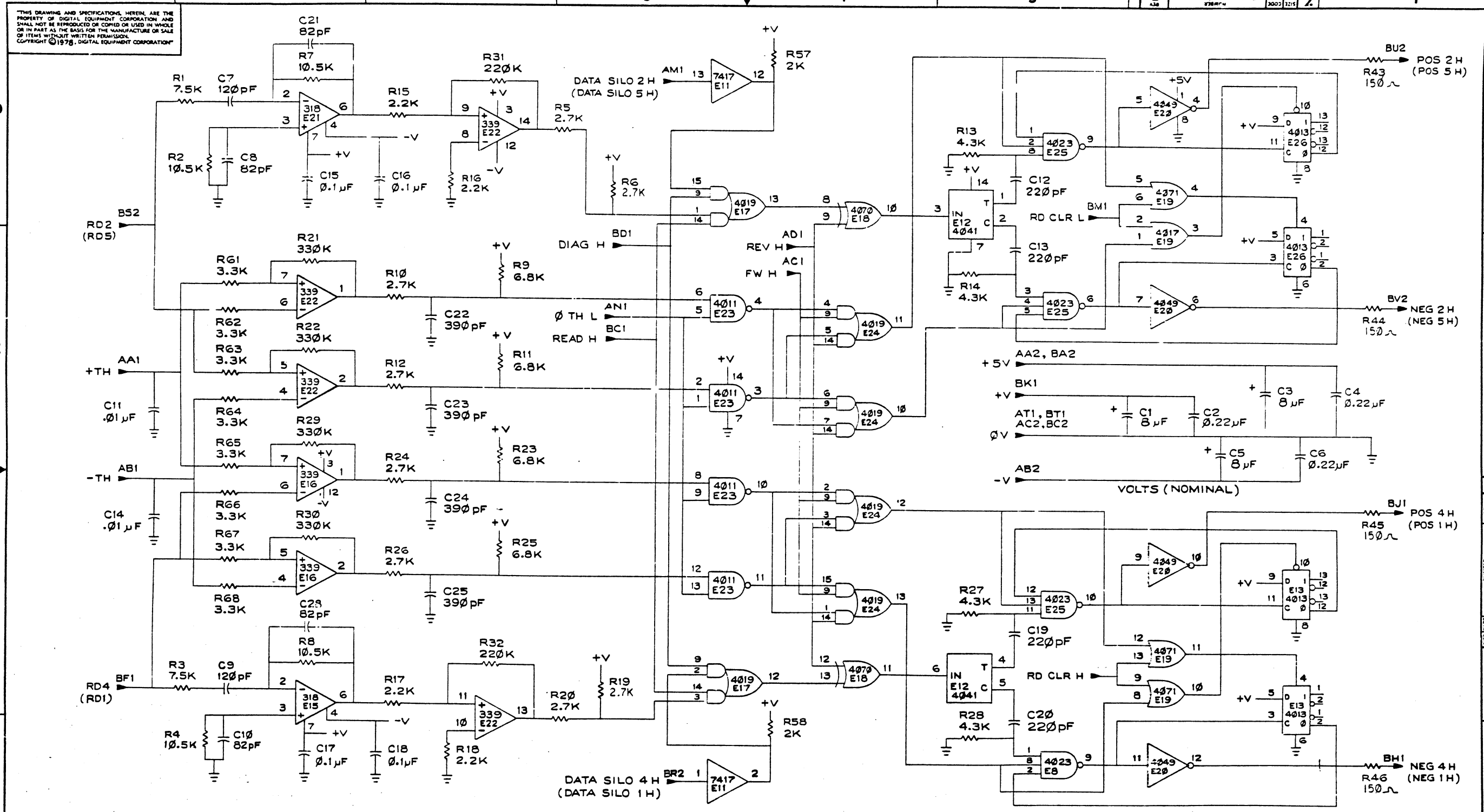
ETCH REV. F-P2
 P.C. DESIGN DATA BASE REV. FL

SIGNATURES		DATE
DRN. O. POWERS		3/27/79
CHK'D. J. Rollins		3/27/79
ENG. J. Rollins		3/27/79
PROJ. ENG. J. Rollins		3/27/79
PROD.		
SCALE 2/1		
SHT. 1 OF 3		
NEXT HIGHER ASSY. B-DD-G157-0		

digital
 TITLE TSC4 READ AMP
 SIZE CODE D UA
 NUMBER 6157-0-0
 REV E

1 MS#

THIS DRAWING AND SPECIFICATIONS HEREIN ARE THE PROPERTY OF DIGITAL EQUIPMENT CORPORATION AND SHALL NOT BE REPRODUCED OR COPIED OR USED IN WHOLE OR IN PART AS THE BASIS FOR THE MANUFACTURE OR SALE OF ITEMS WITHOUT WRITTEN PERMISSION. COPYRIGHT © 1978, DIGITAL EQUIPMENT CORPORATION



REV.	CHG.	NO.	DATE	BY	CHK.
1					
2					
3					
4					
5					
6					
7					
8					

DRN. J. CARTER	6-19-77	FIRST USED ON	TS04	digital
CHK'D. <i>[Signature]</i>	10-12-77	TITLE	TS04 READ AMP	
ENG. J. Rollins	10-8-78	PROJ. ENG. J. Rollins	10-18-78	
PROJ. <i>[Signature]</i>	10-18-78	NEXT HIGHER ASSY.		
B-DD-G157-0	SIZE	CODE	NUMBER	REV.
D	CS	G157-0-1	E	
SHEET 1 OF 2	DIST.			

8

7

6

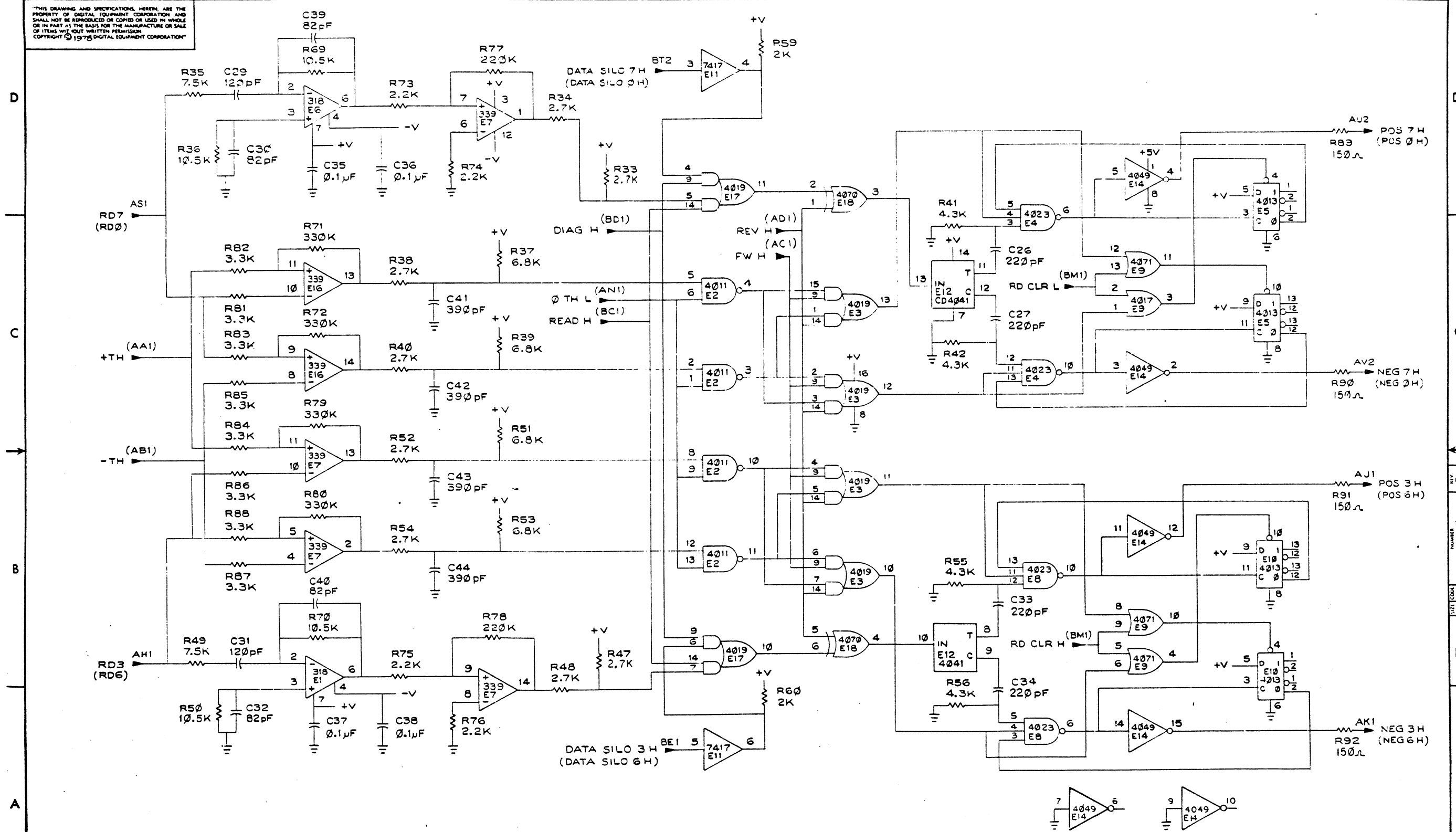
5

4

3

1

THIS DRAWING AND SPECIFICATIONS, HEREIN, ARE THE PROPERTY OF DIGITAL EQUIPMENT CORPORATION AND SHALL NOT BE REPRODUCED OR COPIED OR USED IN WHOLE OR IN PART AS THE BASIS FOR THE MANUFACTURE OR SALE OF ITEMS WITHOUT WRITTEN PERMISSION. COPYRIGHT © 1975 DIGITAL EQUIPMENT CORPORATION



REVISIONS		
CHK	CHANGE NO.	REV.

8

7

6

5

4

3

2

A

B

E

C

D

LINE ITEM	DOCUMENT NUMBER	PART NUMBER	DESCRIPTION	QTY	PER VARIATION	REFERENCE DESIGNATOR
				CO		
1	1	D-MD-5011898-0-0	5011898-00	G157	1	
2	2		1013292-00	*** THIS ITEM IS NOT USED ***	-	
3	3		1010274-01	.22 MFI 50V -20+80 Z5U CER	3	C2,C4,C6
4	4		1004813-00	*** THIS ITEM IS NOT USED ***	-	
5	5		1000016-00	*** THIS ITEM IS NOT USED ***	-	
6	6		1000006-00	*** THIS ITEM IS NOT USED ***	-	
7	7		1100114-00	*** THIS ITEM IS NOT USED ***	-	
8	8		1300271-00	*** THIS ITEM IS NOT USED ***	-	
9	9		1300365-00	*** THIS ITEM IS NOT USED ***	-	
10	10		1301423-00	6.8 K 1/4W 5% CC	8	R9,R11,R23,R25,R37,R39,R51,R53
11	11		1300426-00	2.7 K 1/4W 5% CC	16	R5,R10,R12,R20,R24,R26,R34,R38, CONT R40,R48,R52,R54,R6,R19,R33,R47
12	12		1302456-00	*** THIS ITEM IS NOT USED ***	-	
13	13		1300479-00	*** THIS ITEM IS NOT USED ***	-	
14	14		1302398-00	*** THIS ITEM IS NOT USED ***	-	
15	15		1302389-00	4.3 K 1/4W 5% CC	8	R13,R14,R27,R28,R41,R42,R55,R56
16	16		1910735-02	318 OP AMP	4	E1,E6,E15,E21
17	17		1912108-00	339 VOLT CMPRTR,QUAD	3	E7,E16,E22
18	18		2113612-00	4019B AND-OR SELECT GATE-Q	3	E3,E17,E24
19	19		2113634-00	4070B X-OR GATE-QUAD CMOS	1	E18
20	20		2113607-00	4011UBNAND GATE-QUAD 2IN C	2	E2,E23
21	21		2113621-00	4041B BUFFER GATE-QUAD TRU	1	E12
22	22		2113627-00	4049UBINVERTER-HEX BUFFER-	2	E14,E20
23	23		2113635-00	4071B OR GATE-QUAD 2IN CMO	2	E9,E19
24	24		9008337-01	HANDLE, FLIP CHIP, GREEN	2	
25	25		9006732-00	EYELET, ROLLED FLANGE, .121 OD X	4	
26	26		1302388-00	2 K 1/4W 5% CC	4	R57-R60
27	27		1909929-00	7417 BUFFER GATE-HEX 1INP	1	E11
28	28		2113609-00	4013B FF-D DUAL W/SET/RESE	4	E5,E10,E13,E26

REVISION HISTORY		BASIC PART NO: OG157		DRN:	P. KENDRICK	DATE:	16-SEP-78	D I G I T A L		
ENG	ECO NUMBER	REV	SECTION A OF A	CHK'D:	P. BOSSMAN	DATE:	16-SEP-78	TITLE	PARTS LIST	
C.L	G157-ML001	D	SECTION VARIATION INDEX	DES.ENG:	H. FINDEISEN	DATE:	16-SEP-78	TS04 READ AMP		
	G157-ML002	E	[A] 00	RESP.ENG.:	H. FINDEISEN	DATE:	16-SEP-78	DOCUMENT NUMBER		
			[B]	MFG.ENG.:	G. DILLARD	DATE:	16-SEP-78	SIZE CODE NUMBER	REV	
			[C]	ASSEMBLY NUMBER:				K PL G157-0-DBP	E	
			[D]	D-UA-G157-0-0				FILE NAME:	EDIT #	
			[E]					Z0476E.PLS	7	

"THIS DRAWING AND SPECIFICATIONS HEREIN, ARE THE PROPERTY OF DIGITAL EQUIPMENT CORPORATION AND SHALL NOT BE REPRODUCED OR COPIED OR USED IN WHOLE OR IN PART AS THE BASIS FOR THE MANUFACTURE OR SALE OF ITEMS WITHOUT WRITTEN PERMISSION. COPYRIGHT (C) 1979. DIGITAL EQUIPMENT CORPORATION"

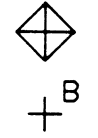
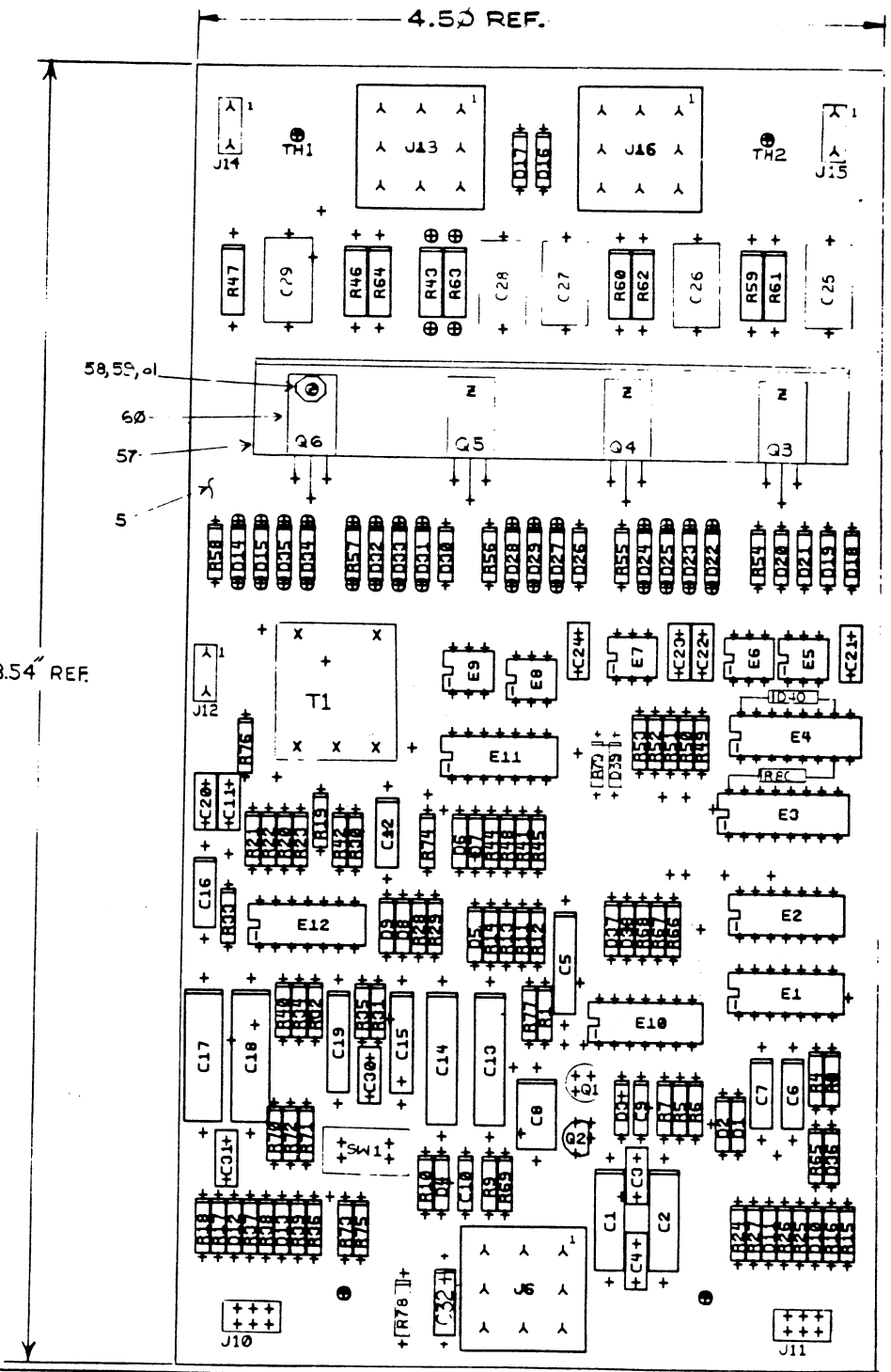
LINE ITEM	DOCUMENT NUMBER	PART NUMBER	DESCRIPTION	QTY PER VARIATION 00	REFERENCE DESIGNATOR
29	29	2113613-00	4023B NAND GATE-TRIPLE 3IN	3	E4,E8,E25
30	30	9105740-55	*** THIS ITEM IS NOT USED ***	-	
31	31	B-DD-G157-0-0	DRAWING DIRECTORY	REF	
32	32	D-CS-G157-0-1	CIRCUIT SCHEMATIC	REF	
33	33	1305322-00	7.5 K 1/4W 1% RN55D-F 100PPM	4	R1,R3,R35,R49
34	34	1300417-00	2.2 K 1/4W 5% CC	8	R15-R18,R73-R76
35	35	1312987-00	10.5 K 1/4W 1% RN55D-1052F	8	R2,R4,R7,R8,R36,R50,R69,R70
36	36	1300439-00	3.3 K 1/4W 5% CC	16	R61-R68,R81-R88
37	37	1302092-00	220 K 1/4W 5% CC	4	R31,R32,R77,R78
38	38	1000018-00	120.0 MMF 100V 5%200PPM DM15S	4	C7,C9,C29,C31
39	39	1000015-00	82.0 MMF 100V 5%200PPM DM15S	8	C8,C10,C21,C28,C20,C32,C39,C40
40	40	1001610-00	.01 MFD 50V -20+80 Z5U AXIAL	2	C11,C14
41	41	1010978-36	.1 MFD 50V 10% 2C067 CER	8	C15-C18,C35-C38
42	42	1001631-00	390.0 MMF 100V 5%200PPM DM15S	8	C22-C25,C41-C44
43	43	1302091-00	330 K 1/4W 5% CC	8	R21,R22,R29,R30,R71,R72,R79,R80
44	44	1300250-00	150 1/4W 5% CC	8	R43-R46,R89-R92
45	45	1012084-01	8 MFD 25V 6% 30D AL EL	3	C1,C3,C5
46	46	1000021-00	220.0 MMF 100V 5%200PPM DM15S	8	C12,C13,C19,C20,C26,C27,C33,C34
***** *****				RELEASEABLE	***** *****

DI	IG	IT	AL	TITLE	SECTION A OF A	SIZE	CODE	DOCUMENT NUMBER	REV
				TS04 READ AMP		K	PL	G157-0-DBP	E

THIS DRAWING AND SPECIFICATIONS, HEREIN, ARE THE PROPERTY OF DIGITAL EQUIPMENT CORPORATION AND SHALL NOT BE REPRODUCED OR TRANSMITTED IN ANY FORM OR BY ANY MEANS, ELECTRONIC OR MECHANICAL, INCLUDING PHOTOCOPYING, RECORDING, OR BY ANY INFORMATION STORAGE AND RETRIEVAL SYSTEM, WITHOUT THE WRITTEN PERMISSION OF DIGITAL EQUIPMENT CORPORATION.

0-0-8-158-0-0 2 1

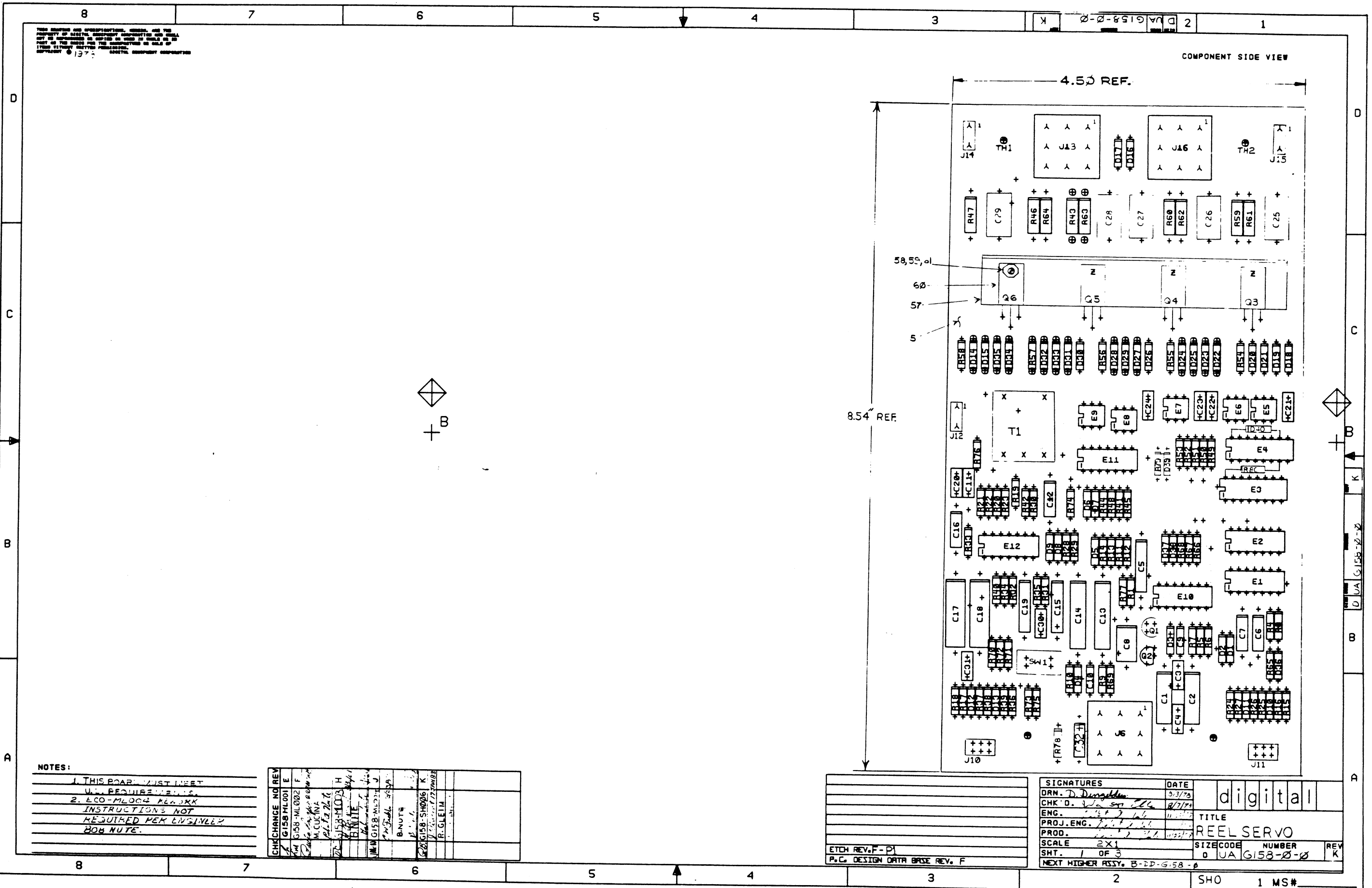
COMPONENT SIDE VIEW



NOTES:
 1. THIS BOARD MUST MEET ALL REQUIREMENTS.
 2. ECO-ML004 REV. JKK INSTRUCTIONS NOT REQUIRED PER ENGINEER BOB NUTE.

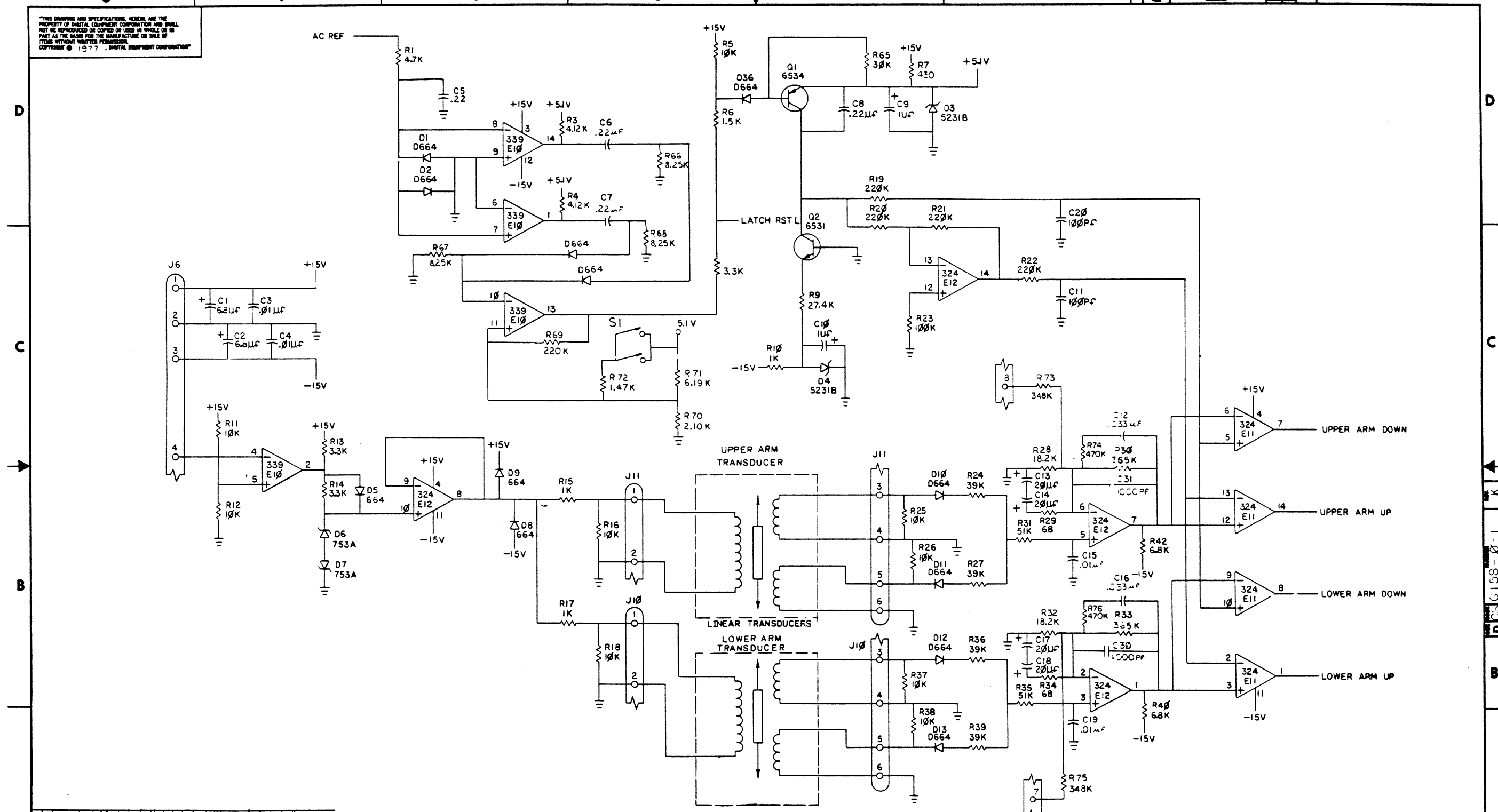
CHANGE NO	REV	DATE	BY	CHK'D	APP'D
1	G158-ML001 E				
2	G158-ML002 F				
3	G158-ML003 G				
4	G158-ML004 H				
5	G158-ML005 I				
6	G158-ML006 J				
7	G158-ML007 K				
8	G158-ML008 L				
9	G158-ML009 M				
10	G158-ML010 N				
11	G158-ML011 O				
12	G158-ML012 P				
13	G158-ML013 Q				
14	G158-ML014 R				
15	G158-ML015 S				
16	G158-ML016 T				
17	G158-ML017 U				
18	G158-ML018 V				
19	G158-ML019 W				
20	G158-ML020 X				
21	G158-ML021 Y				
22	G158-ML022 Z				
23	G158-ML023 AA				
24	G158-ML024 AB				
25	G158-ML025 AC				
26	G158-ML026 AD				
27	G158-ML027 AE				
28	G158-ML028 AF				
29	G158-ML029 AG				
30	G158-ML030 AH				
31	G158-ML031 AI				
32	G158-ML032 AJ				
33	G158-ML033 AK				
34	G158-ML034 AL				
35	G158-ML035 AM				
36	G158-ML036 AN				
37	G158-ML037 AO				
38	G158-ML038 AP				
39	G158-ML039 AQ				
40	G158-ML040 AR				
41	G158-ML041 AS				
42	G158-ML042 AT				
43	G158-ML043 AU				
44	G158-ML044 AV				
45	G158-ML045 AW				
46	G158-ML046 AX				
47	G158-ML047 AY				
48	G158-ML048 AZ				
49	G158-ML049 BA				
50	G158-ML050 BB				
51	G158-ML051 BC				
52	G158-ML052 BD				
53	G158-ML053 BE				
54	G158-ML054 BF				
55	G158-ML055 BG				
56	G158-ML056 BH				
57	G158-ML057 BI				
58	G158-ML058 BJ				
59	G158-ML059 BK				
60	G158-ML060 BL				
61	G158-ML061 BM				
62	G158-ML062 BN				
63	G158-ML063 BO				
64	G158-ML064 BP				
65	G158-ML065 BQ				
66	G158-ML066 BR				
67	G158-ML067 BS				
68	G158-ML068 BT				
69	G158-ML069 BU				
70	G158-ML070 BV				
71	G158-ML071 BW				
72	G158-ML072 BX				
73	G158-ML073 BY				
74	G158-ML074 BZ				
75	G158-ML075 CA				
76	G158-ML076 CB				
77	G158-ML077 CC				
78	G158-ML078 CD				
79	G158-ML079 CE				
80	G158-ML080 CF				
81	G158-ML081 CG				
82	G158-ML082 CH				
83	G158-ML083 CI				
84	G158-ML084 CJ				
85	G158-ML085 CK				
86	G158-ML086 CL				
87	G158-ML087 CM				
88	G158-ML088 CN				
89	G158-ML089 CO				
90	G158-ML090 CP				
91	G158-ML091 CQ				
92	G158-ML092 CR				
93	G158-ML093 CS				
94	G158-ML094 CT				
95	G158-ML095 CU				
96	G158-ML096 CV				
97	G158-ML097 CW				
98	G158-ML098 CX				
99	G158-ML099 CY				
100	G158-ML100 CZ				

SIGNATURES		DATE	digital
DRM. D. Dingledine		3/3/73	
CHK'D. J. S. Smith		2/7/73	
ENG. J. S. Smith		11/2/72	
PROJ. ENG. J. S. Smith		11/2/72	
PROD. J. S. Smith		11/2/72	
SCALE 2X1		SIZE CODE	NUMBER
SHT. 1 OF 3		0 UA G158-0-0	REV K
NEXT HIGHER ASSY. B-DD-G-58-0			



SHO 1 MS#

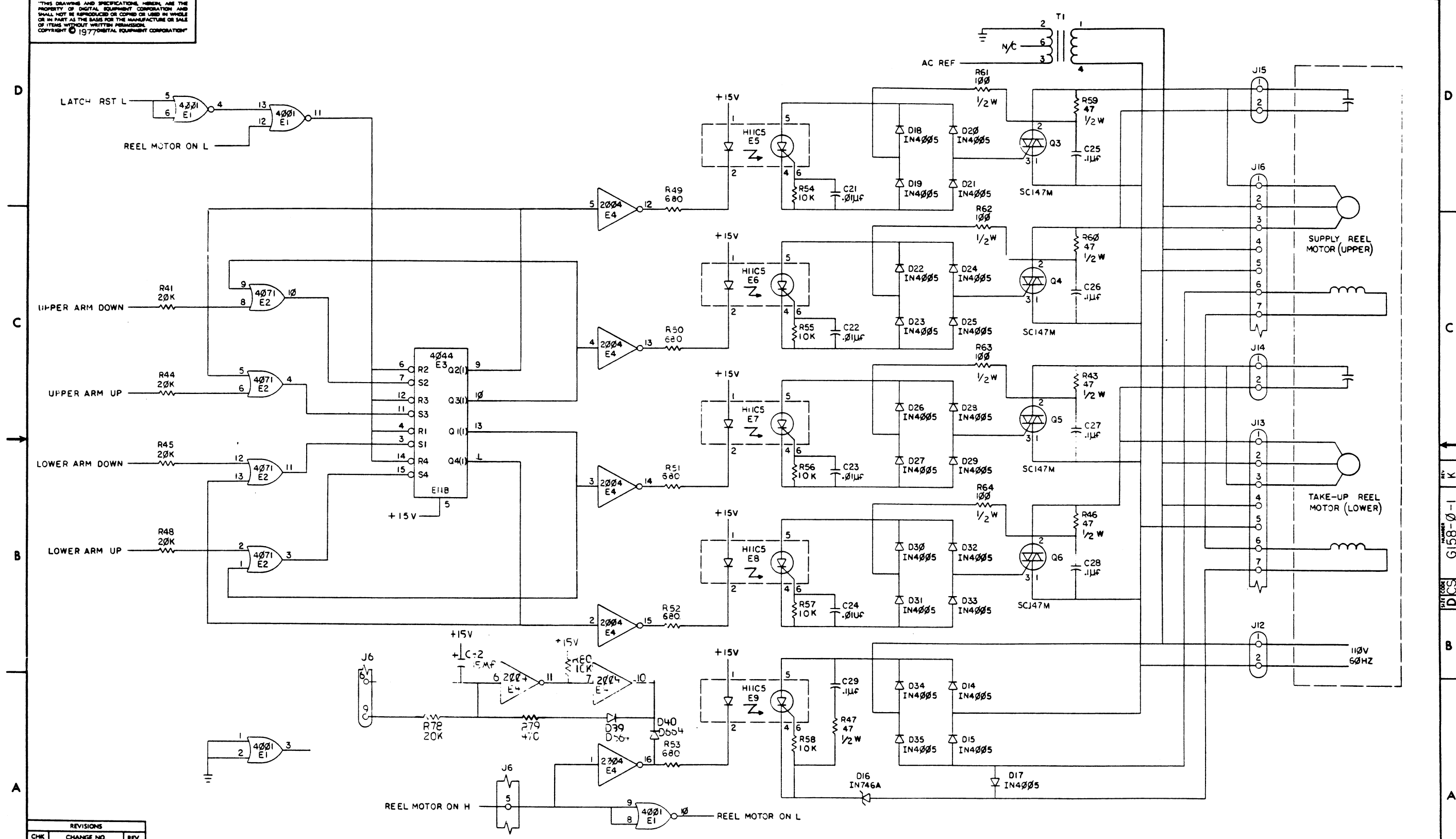
THIS DRAWING AND SPECIFICATIONS, HEREON, ARE THE PROPERTY OF DIGITAL EQUIPMENT CORPORATION AND SHALL NOT BE REPRODUCED OR COPIED OR USED IN WHOLE OR IN PART AS THE BASIS FOR THE MANUFACTURE OR SALE OF ITEMS WITHOUT WRITTEN PERMISSION.
COPYRIGHT © 1977, DIGITAL EQUIPMENT CORPORATION



REV.	CHG.	CHANGE NO.	BY	DATE
1		G158-M1.001	E	11/25/78
2		G158-M1.002	F	11/28/78
3		G158-M1.003	H	12/22/78
4		G158-M1.004	J	1/11/79
5		G158-M1.005	K	1/12/79
6		G158-M1.006	L	1/13/79
7		G158-M1.007	M	1/14/79
8		G158-M1.008	N	1/15/79
9		G158-M1.009	O	1/16/79
10		G158-M1.010	P	1/17/79
11		G158-M1.011	Q	1/18/79
12		G158-M1.012	R	1/19/79
13		G158-M1.013	S	1/20/79
14		G158-M1.014	T	1/21/79
15		G158-M1.015	U	1/22/79
16		G158-M1.016	V	1/23/79
17		G158-M1.017	W	1/24/79
18		G158-M1.018	X	1/25/79
19		G158-M1.019	Y	1/26/79
20		G158-M1.020	Z	1/27/79

DRN. DATE	11-4-77	FIRST USED ON	TS04
CHK'D	12-2-77	TITLE	TS04 REEL SERVO
ENG. H. Friedman	3.7.78	PROJ. ENG. H. Friedman	3.7.78
PROD. P. J. ...	3.7.78	NEXT HIGHER ASSY.	
B-00-G-58-0	SIZE CODE	NUMBER	REV.
SCALE	D CS	G158-0-1	K
SHEET	OF 2	DIST.	

THIS DRAWING AND SPECIFICATIONS HEREIN ARE THE PROPERTY OF DIGITAL EQUIPMENT CORPORATION AND SHALL NOT BE REPRODUCED OR COPIED OR USED IN WHOLE OR IN PART AS THE BASIS FOR THE MANUFACTURE OR SALE OF ITEMS WITHOUT WRITTEN PERMISSION. COPYRIGHT © 1977 DIGITAL EQUIPMENT CORPORATION



REVISIONS		
CHK	CHANGE NO.	REV.

LINE	ITEM	DOCUMENT NUMBER	PART NUMBER	DESCRIPTION	QTY	PER VARIATION	REFERENCE DESIGNATOR
					00		
1	1	D-CS-G158-0-1		CIRCUIT SCHEMATIC			REF
2	2	D-UA-G158-0-0		UNIT ASSY			REF
3	3	B-DD-G158-0-0		DWG DIRECTORY			REF
4	4	D-MD-5011917-0-0		DRILL & ETCH DWG			REF
5	5		5011917-00	G158			1
6	6		1000002-01	20 MFD 50V 5% S.TANT			4 C13,C14,C17,C19
7	7		1000016-00	100.0 MMF 100V 5%200PPM MICA			2 C11,C20
8	8		1000050-00	.033 MFD 100V 80V 10% MYL			2 C12,C16
9	9		1001610-00	.01 MFD 50V +80-20% Z5U CER			6 C3,C4,C21-C24
10	10		1001776-00	1 MFD 35V 10% S.TANT			2 C9,C10
11	11		1002630-00	*** THIS ITEM IS NOT USED ***			-
12	12		1005306-00	6.8MFD 35V 10% S.TANT			2 C1,C2
13	13		1005784-00	.01 MFD 100V 200V 10% MYL			2 C15,C19
14	14		1010031-03	.22 MFD 50V 10% M.POLYCARB			4 C8,C6,C7,C5
15	15		1010075-00	.1 MFD 400V 20% MYLR			5 C25-C29
16	16		1100114-00	D 664 QS\75PCB PIV= 25V SP	14		D1,D2,D5,D8-D13,D36,D37,D38-D40,
17	17		1102421-00	1N 753A VZ= 6.2 5% .40W P	2		D6,D7
18	18		1104860-00	1N 746A VZ= 3.3 5%	1		D16
19	19		1109443-00	1N 5231B VZ= 5.1 5% .50W Y	2		D3,D4
20	20		1110967-00	1N 4005 PIV=600 I= 1A D041 SI	21		D14,D15,D17-D35
21	21		1114344-00	H11C5 SCR@400V I=10A	5		E5-E9
22	22		1212297-00	MATE-N-LOK 02PIN(1X02).250CC HDR	3		J12,J14,J15
23	23		1212297-02	MATE-N-LOK 09PIN(2X05).250CC HDR	3		J13,J16,J6
24	24		1212297-05	*** THIS ITEM IS NOT USED ***	-		-
25	25		1213488-01	PCB,HEADER 06PIN(2X03).100CC STR	2		J10,J11
26	26		1300219-00	68.0 .25 W 5.0 % CF	2		R29,R34
27	27		1300228-00	100.0 .50 W 5.0 % CF	4		R61-R64
28	28		1300365-00	1.0 K .25 W 5.0 % CF	3		R10,R15,R17
29	29		1300391-00	1.50 K .25 W 5.0 % CF	1		R6
30	30		1300439-00	3.30 K .25 W 5.0 % CF	3		R13,R14,R77

REVISION HISTORY			BASIC PART NO: 06158		DRN: P.KENDRICK		DATE: 19-DEC-77		D I G I T A L			
ENG	ECO NUMBER	REV	SECTION A OF A	CHK'D:	R.A.M.	DATE:	19-DEC-77	TITLE PARTS LIST				
	INIT	D	SECTION VARIATION INDEX					TS04 REEL SERVO				
J.R.	G158-ML001	E	[A] 00									
M.C.	G158-ML002	F	[B]									
BN	G158-ML003	H	[C]	DES.ENG:	H.FINDEISEN	DATE:	02-MAR-78					
BN	G158-ML004	J	[D]									
RG	G158-SH006	K	[E]	RESP.ENG.:	H.FINDEISEN	DATE:	02-MAR-78	DOCUMENT NUMBER				
			[F]					SIZE	CODE	NUMBER	REV	
			[H]					K	PL	G158-0-DBP	K	
			[J]	MFG.ENG.:	P.BARTON	DATE:	02-MAR-78					
			[K]									
			[L]	ASSEMBLY NUMBER:	D-UA-G158-0-0	TOP DOCUMENT NUMBER:	TS04	FILE NAME:		Z0464K.PLS	EDIT #:	
			[M]								23	
			[N]									

"THIS DRAWING AND SPECIFICATIONS HEREIN, ARE THE PROPERTY OF DIGITAL EQUIPMENT CORPORATION AND SHALL NOT BE REPRODUCED OR COPIED OR USED IN WHOLE OR IN PART AS THE BASIS FOR THE MANUFACTURE OR SALE OF ITEMS WITHOUT WRITTEN PERMISSION. COPYRIGHT (C) 1983. DIGITAL EQUIPMENT CORPORATION "

LINE	ITEM	DOCUMENT NUMBER	PART NUMBER	DESCRIPTION	QTY PER VARIATION	REFERENCE DESIGNATOR
					00	
31	31		1300447-00	4.70 K .25 W 5.0 % CF	1	R1
32	32		1300479-00	10.0 K .25 W 5.0 % CF	15	R5,R11,R12,R16,R18,R25,R26,R37, CONT R38,R54-R58,R80
33	33		1313349-00	*** THIS ITEM IS NOT USED ***	-	
34	34		1301423-00	6.80 K .25 W 5.0 % CF	2	R40,R42
35	35		1301695-00	47.0 .50 W 5.0 % CF	5	R59,R60,R43,R46,R47
36	36		1302092-00	220.0 K .25 W 5.0 % CF	5	R19-R22,R69
37	37		1302177-00	*** THIS ITEM IS NOT USED ***	-	
38	38		1302391-00	20.0 K .25 W 5.0 % CF	5	R41,R44,R45,R48,R78
39	39		1302394-00	30.0 K .25 W 5.0 % CF	1	R65
40	40		1302465-00	*** THIS ITEM IS NOT USED ***	-	
41	41		1302466-00	100.0 K .25 W 5.0 % CF	1	R23
42	42		1302514-00	39.0 K .25 W 5.0 % CF	4	R24,R27,R36,R39
43	43		1304839-00	51.0 K .25 W 5.0 % CF	2	R31,R35
44	44		1305130-00	*** THIS ITEM IS NOT USED ***	-	
45	45		1309417-00	27.40 K .25 W 1.0 % RN55D-F10	1	R9
46	46		1312933-00	*** THIS ITEM IS NOT USED ***	-	
47	47		1503409-01	DEC6534B PNP 310MW SI 40 90 P	1	Q1
48	48		1509338-00	DEC6531B NPN 310MW SI 40 90 P	1	Q2
49	49		1514341-00	ULN2004A NPN 1W SI ARRAY	1	E4
50	50		1514342-00	*** THIS ITEM IS NOT USED ***	-	
51	51		1609844-00	XFMR P=A S= 12.6@10MA	1	T1
52	52		1912107-02	324 OP AMP,QUAD	2	E11,E12
53	53		1912108-00	339 VOLT CMPTR,QUAD	1	E10
54	54		2113603-00	4001UBNOR GATE-QUAD 2IN CM	1	E1
55	55		2113624-00	4044B NAND R/S LATCH,QUAD	1	E3
56	56		2113635-00	4071B OR GATE-QUAD 2IN CMO	1	E2
57	57		7418017-00	HEAT SINK	1	HS1
58	58		9006011-04	SCREW,MACH BIND SLOT 4-	4	
59	59		9006557-00	NUT,HEX EXT TOOTH LCKWSHR 4-40	4	
60	60		9008268-00	COMFOUND, THERMAL JOINT	A/R	
61	61		9009769-00	WASHER,RECTNGLR STEEL	4	
62	62		1312992-00	*** THIS ITEM IS NOT USED ***	-	
63	63		1313150-00	430.0 .25 W 5.0 % CF	1	R7
64	64		1302398-00	470.0 K .25 W 5.0 % CF	2	R74,R76
65	65		1305325-00	8.25 K .25 W 1.0 % RN55D-F10	3	R66,R67,R68
66	66		1312923-00	2.10 K .25 W 1.0 % RN55D-F10	1	R70
67	67		1305108-00	1.47 K .25 W 1.0 % RN55D-F10	1	R72
68	68		1314187-00	6.19 K .25 W 1.0 % RN55D-F10	1	R71
69	69		1211164-07	SW,DIP 2POS/1PST 5VDC100MA F	1	S1
70	70		1000042-00	1000.0 MMF 100V 5%200PPM MICA	2	C30,C31
71	71		1314763-00	4.12 K .25 W 1.0 % RN55D-F10	2	R3,R4
72	72		1316576-00	348.0 K .25 W 1.0 % RN55D-F10	2	R73,R75
73	73		1305266-00	365.0 K .25 W 1.0 % RN55D-F10	2	R30,R33
74	74		1309412-00	18.20 K .25 W 1.0 % RN55D-F10	2	R28,R32
75	75		1514342-01	TRIAC 600V 10A	4	Q3-Q6
76	76		1301424-00	680.0 .25 W 5.0 % CF	5	R49-R53
77	77		1300316-00	470.0 .25 W 5.0 % CF	1	R79

D	I	G	I	T	A	L	TITLE	SECTION A	OF A	SIZE	CODE	DOCUMENT NUMBER	REV
							TS04 REEL SERVO			K	PL	G158-0-DBP	K

AUTOMATED BY PRTLST.1D(2)

PARTS LIST

SHEET A3 OF A3

LINE ITEM DOCUMENT NUMBER

PART NUMBER

DESCRIPTION

QTY PER VARIATION
00

REFERENCE DESIGNATOR

78 78

1004812-00

15 MFD 20V 10% S.TANT

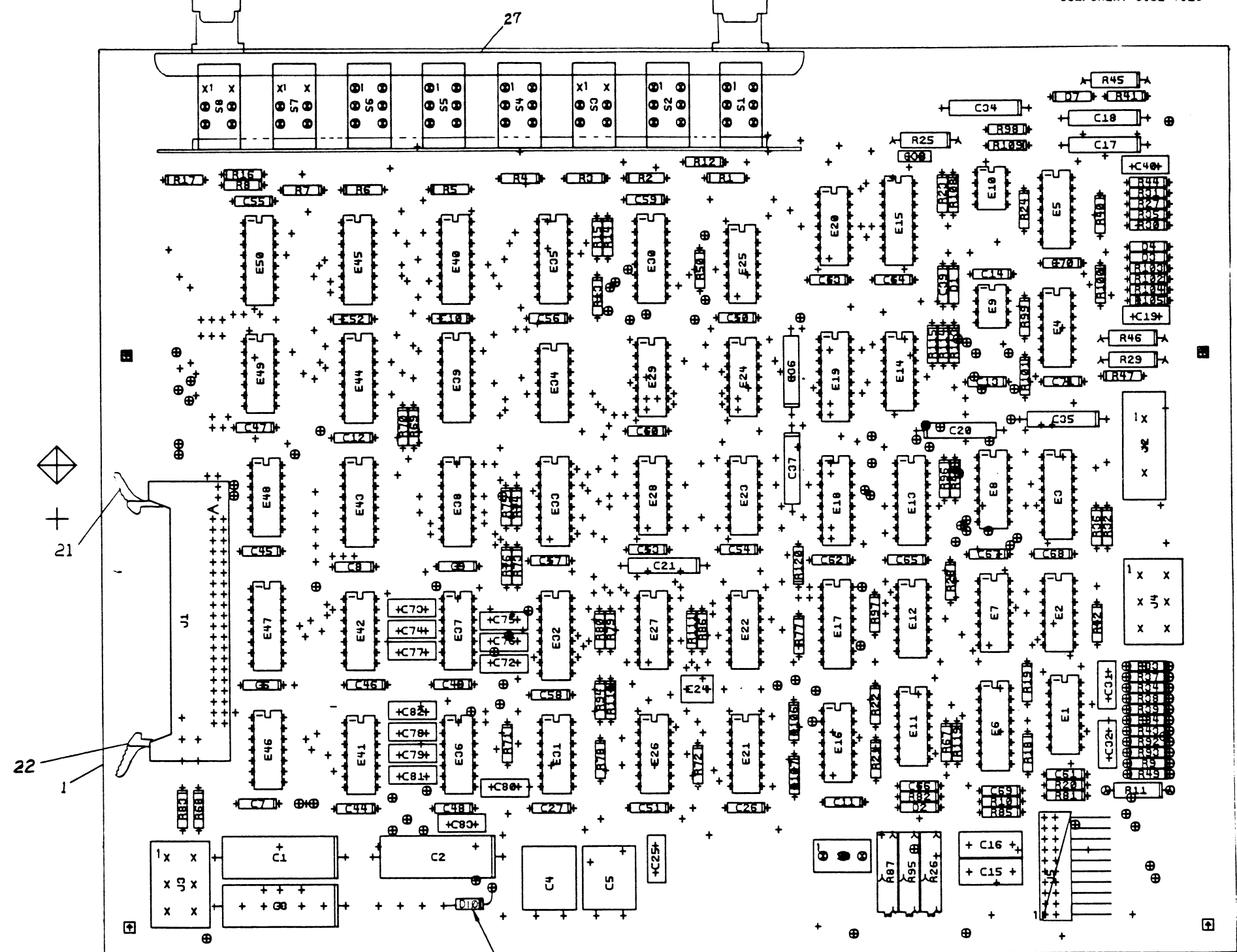
1

C32

D	I	G	I	T	A	L	TITLE	SECTION A OF A	SIZE	CODE	DOCUMENT NUMBER	REV
							TS04 REEL SERVO		K	PL	G158-0-DBP	K

THIS DRAWING AND APPROPRIATE PORTIONS HEREOF ARE THE PROPERTY OF THE UNITED STATES GOVERNMENT AND ARE LOANED TO YOU BY THE NATIONAL BUREAU OF STANDARDS. IT IS TO BE RETURNED TO THE NATIONAL BUREAU OF STANDARDS AT THE END OF THE LOAN PERIOD. IT IS TO BE KEPT IN THE ORIGINAL FORM AND NOT REPRODUCED OR TRANSMITTED IN ANY FORM OR BY ANY MEANS, ELECTRONIC OR MECHANICAL, INCLUDING PHOTOCOPYING, RECORDING, OR BY ANY INFORMATION STORAGE AND RETRIEVAL SYSTEM.

COMPONENT SIDE VIEW



NOTES:

STEP 6	+ Y AXIS	STEP	TIMES
REPORT	+ X AXIS	STEP	TIMES

CHANGE NO	REV	DATE	BY	CHK'D
1	1	11/27/77	B. KRASINSKI	B. KRASINSKI
2	1	11/27/77	B. KRASINSKI	B. KRASINSKI
3	1	11/27/77	B. KRASINSKI	B. KRASINSKI
4	1	11/27/77	B. KRASINSKI	B. KRASINSKI
5	1	11/27/77	B. KRASINSKI	B. KRASINSKI
6	1	11/27/77	B. KRASINSKI	B. KRASINSKI
7	1	11/27/77	B. KRASINSKI	B. KRASINSKI
8	1	11/27/77	B. KRASINSKI	B. KRASINSKI

ETCH REV.	F-1
-----------	-----

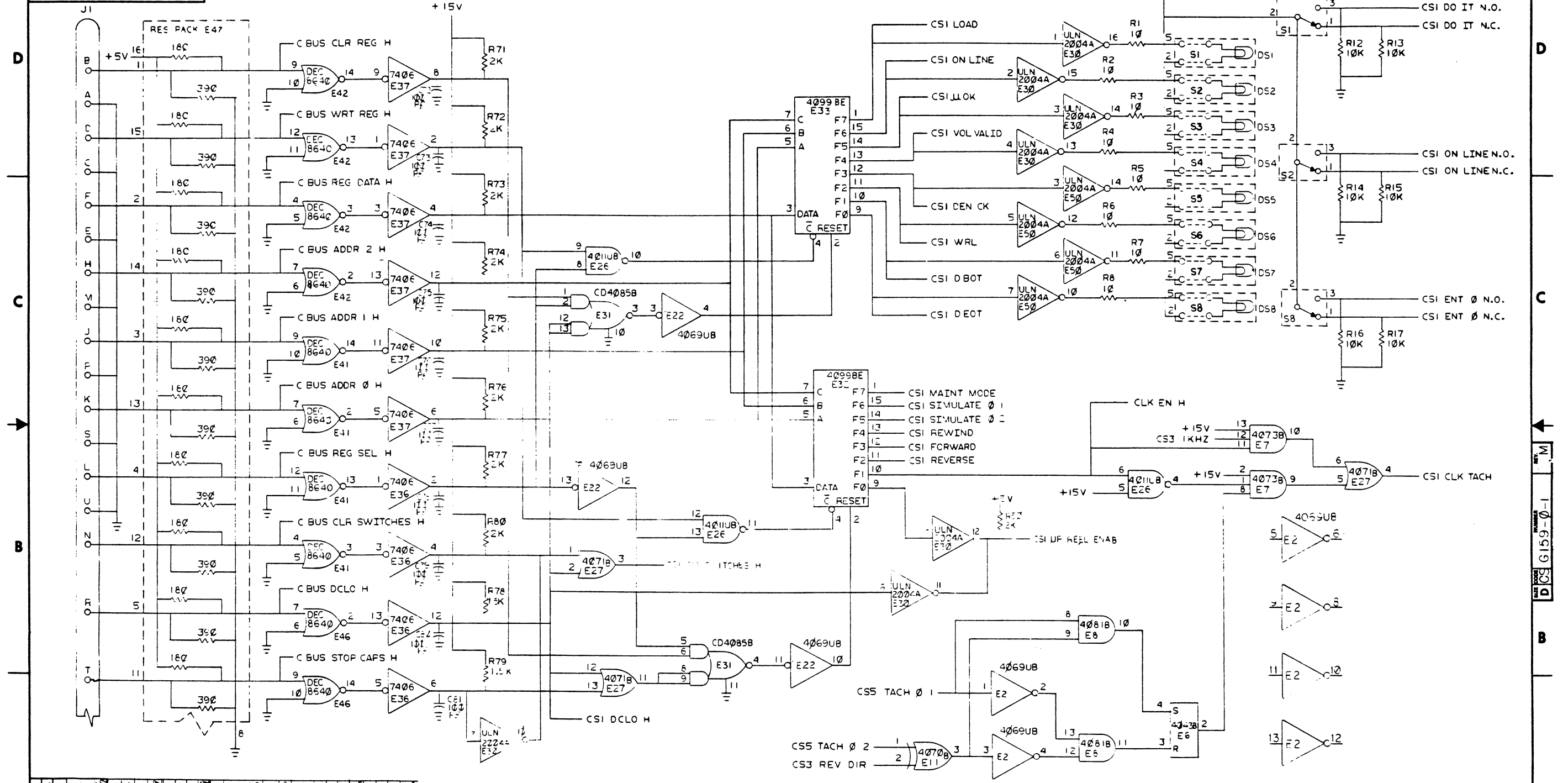
SIGNATURES	DATE
DRN. <i>[Signature]</i>	11/27/77
CHK'D. <i>[Signature]</i>	11/27/77
MECH. ENG. <i>[Signature]</i>	11/27/77
PROJ. ENG. <i>[Signature]</i>	11/27/77
PROD. <i>[Signature]</i>	11/27/77

digital		TITLE	CAPSTAN SERVO
SCALE	2X1	SIZE CODE	NUMBER
SHT.	OF 4	0 UA	G159-0-0
NEXT HIGHER ASSY. B-00-G159-0		REV	M

SHO 1 MS#

DIA G159-0-0

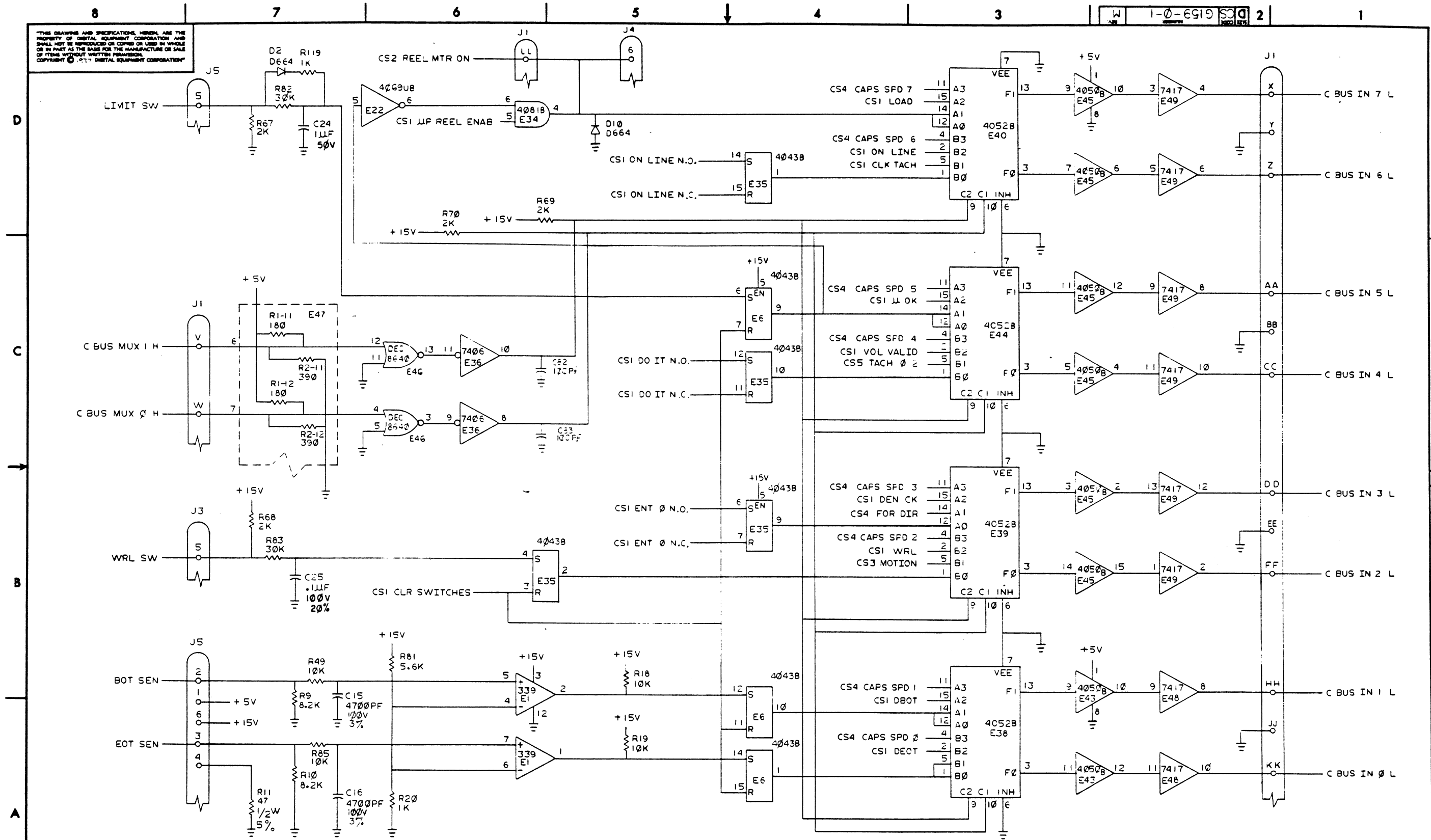
THIS DRAWING AND SPECIFICATIONS HEREON ARE THE PROPERTY OF DIGITAL EQUIPMENT CORPORATION AND SHALL NOT BE REPRODUCED OR COPIED OR USED IN WHOLE OR IN PART AS THE BASIS FOR THE MANUFACTURE OR SALE OF ITEMS WITHOUT WRITTEN PERMISSION. COPYRIGHT © 1977, DIGITAL EQUIPMENT CORPORATION



REV.	CHG.	NO.	BY	DATE
F		1	B. KRASNICK	11/17/77
F		2	B. KRASNICK	11/17/77
F		3	B. KRASNICK	11/17/77
F		4	B. KRASNICK	11/17/77
F		5	B. KRASNICK	11/17/77
F		6	B. KRASNICK	11/17/77
F		7	B. KRASNICK	11/17/77
F		8	B. KRASNICK	11/17/77
F		9	B. KRASNICK	11/17/77
F		10	B. KRASNICK	11/17/77
F		11	B. KRASNICK	11/17/77
F		12	B. KRASNICK	11/17/77
F		13	B. KRASNICK	11/17/77
F		14	B. KRASNICK	11/17/77
F		15	B. KRASNICK	11/17/77
F		16	B. KRASNICK	11/17/77
F		17	B. KRASNICK	11/17/77
F		18	B. KRASNICK	11/17/77
F		19	B. KRASNICK	11/17/77
F		20	B. KRASNICK	11/17/77

DRN. JIM SHERMAN 12/17/77	FIRST USED ON	TSII	DIGITAL
CHK'D R. ZAKS 11/17/77	TITLE	CAPSTAN SERVO (CSI)	
ENG. SHERMAN 11/17/77	SCALE	NONE	
PROJ. ENGR. SHERMAN 11/17/77	SIZE	CODE	D CS
PROD. PLAN. SHERMAN 11/17/77	NUMBER	G159-0-1	REV. M
NEXT HIGHER ASSY.	SHEET	1 OF 5	
	DIST.	SHO	

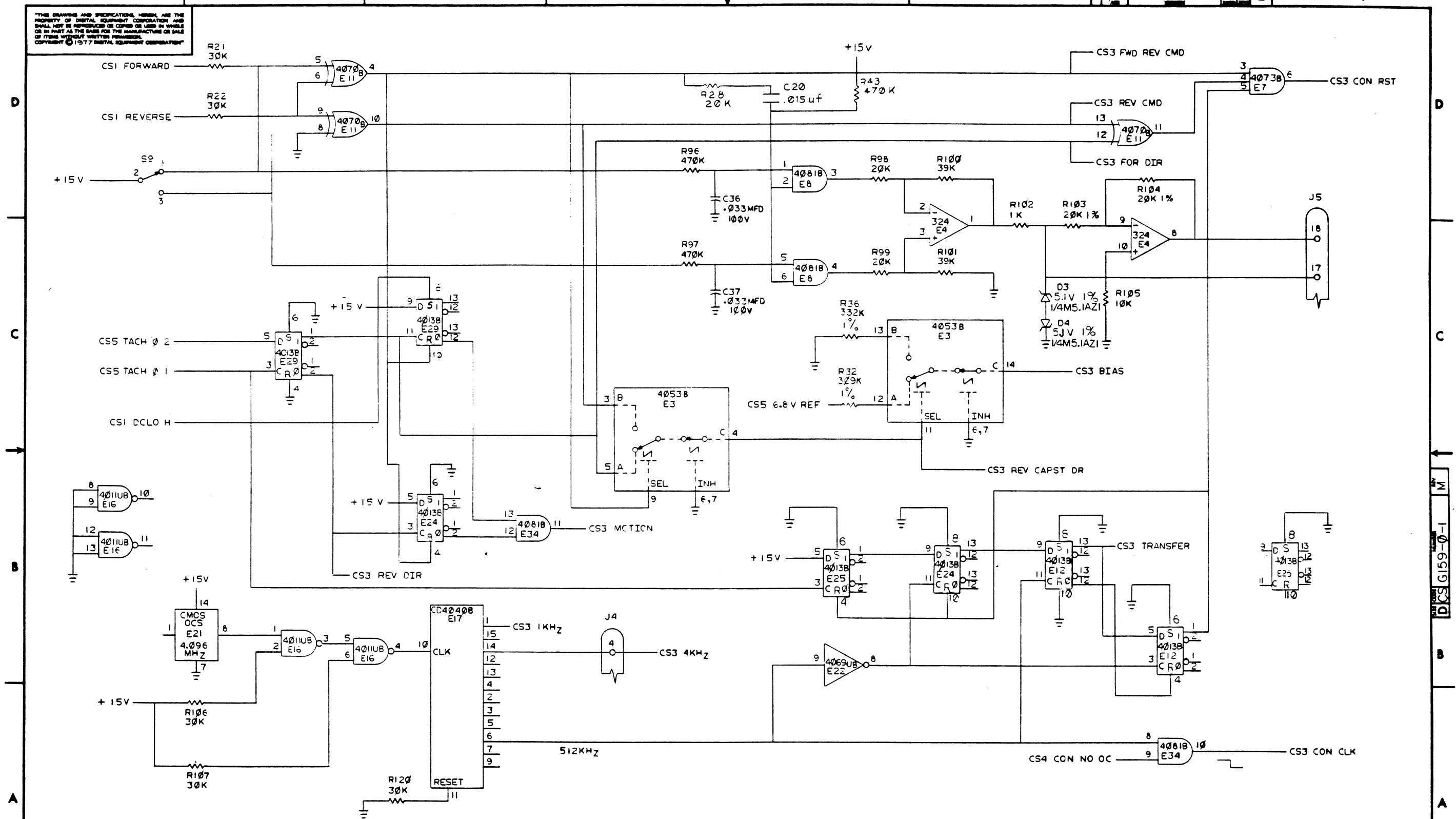
THIS DRAWING AND SPECIFICATIONS HEREIN ARE THE PROPERTY OF DIGITAL EQUIPMENT CORPORATION AND SHALL NOT BE REPRODUCED OR COPIED OR USED IN WHOLE OR IN PART AS THE BASIS FOR THE MANUFACTURE OR SALE OF ITEMS WITHOUT WRITTEN PERMISSION. COPYRIGHT © 1977 DIGITAL EQUIPMENT CORPORATION



REVISIONS		
CHK	CHANGE NO.	REV.

REV. M
D CS G159-0-1

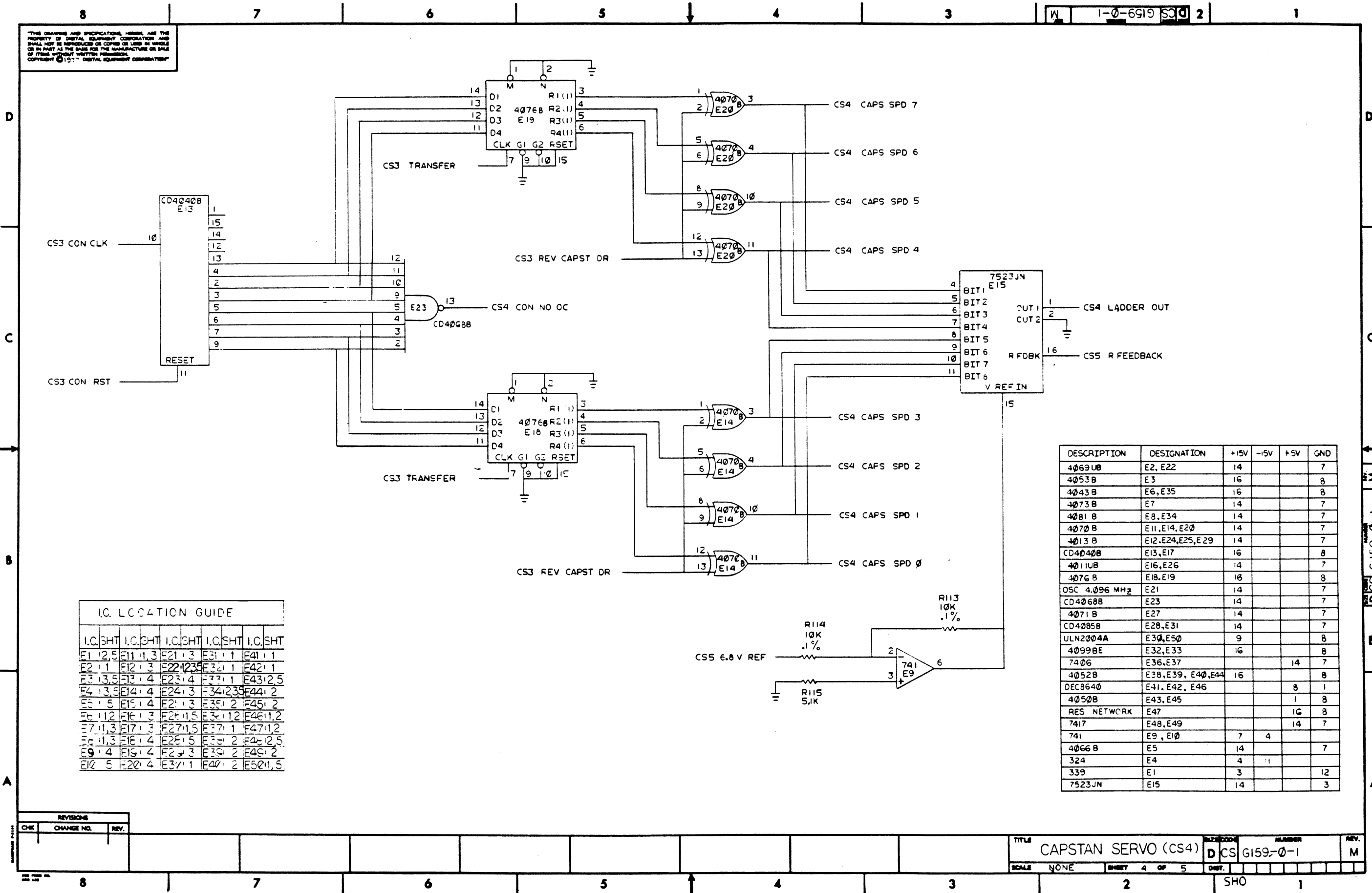
THIS DRAWING AND SPECIFICATIONS HEREIN ARE THE PROPERTY OF DIGITAL EQUIPMENT CORPORATION AND SHALL NOT BE REPRODUCED OR COPIED OR USED IN WHOLE OR IN PART AS THE BASIS FOR THE MANUFACTURE OR SALE OF THIS WITHOUT WRITTEN PERMISSION. COPYRIGHT © 1977 DIGITAL EQUIPMENT CORPORATION



REVISIONS		
CHK	CHANGE NO.	REV.

DCS G159-0-1 M

THIS DRAWING AND SPECIFICATIONS HEREIN ARE THE PROPERTY OF DIGITAL EQUIPMENT CORPORATION AND SHALL NOT BE REPRODUCED OR COPIED IN WHOLE OR IN PART AS THE BASIS FOR THE MANUFACTURE OR SALE OF ITEMS WITHOUT WRITTEN PERMISSION. COPYRIGHT © 1977 DIGITAL EQUIPMENT CORPORATION

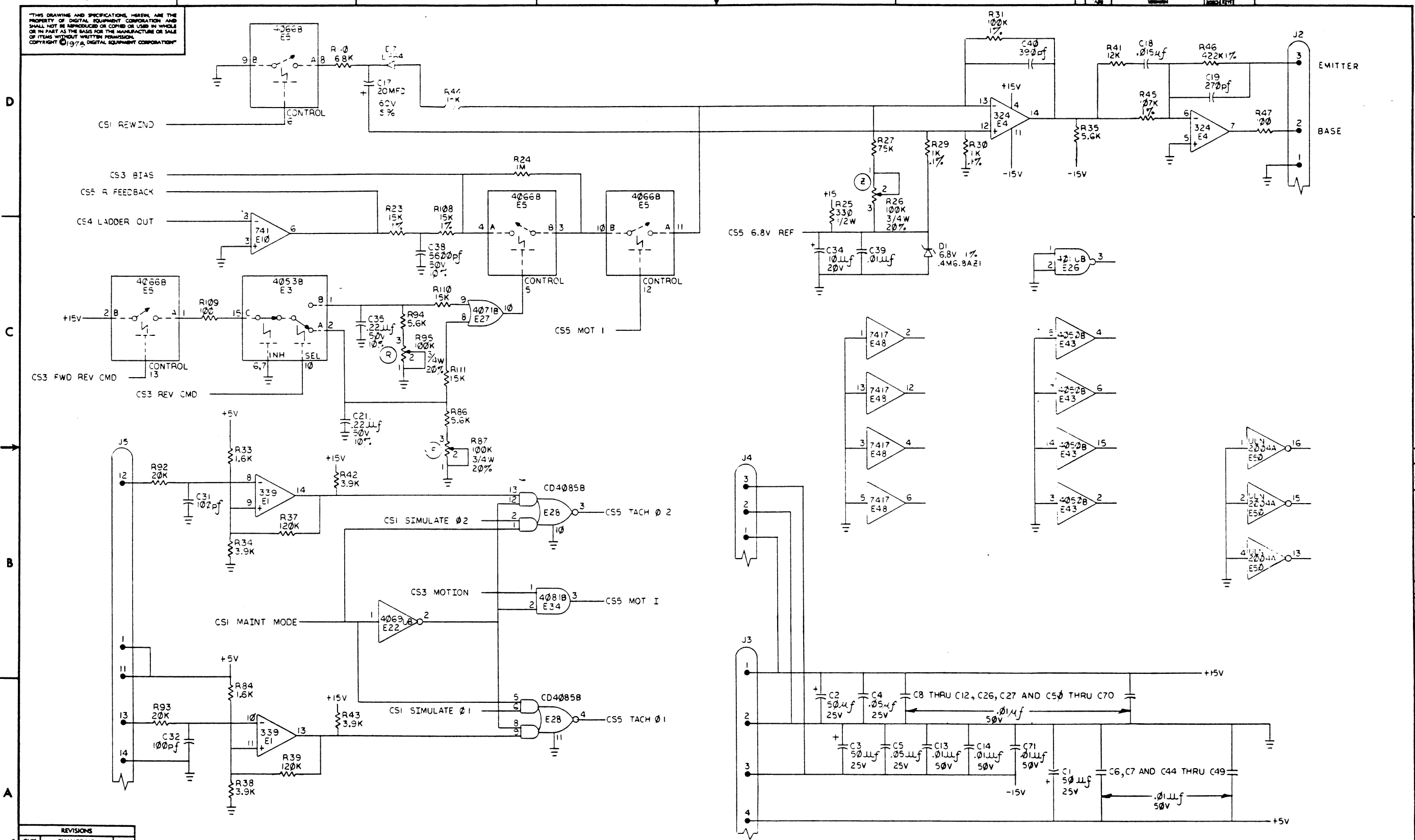


I.C. LOCATION GUIDE					
I.C.	SHT	I.C.	SHT	I.C.	SHT
E1	12,5	E11	1,3	E21	1,3
E2	1,1	E12	1,3	E22	1,3
E3	13,5	E13	1,4	E23	1,4
E4	13,5	E14	1,4	E24	1,3
E5	1,5	E15	1,4	E25	1,3
E6	11,2	E16	1,3	E26	1,5
E7	1,3	E17	1,3	E27	1,5
E8	1,3	E18	1,4	E28	1,5
E9	1,4	E19	1,4	E29	1,3
E10	5	E20	4	E30	1,1
				E31	1,1
				E32	1,1
				E33	1,1
				E34	1,1
				E35	1,1
				E36	1,1
				E37	1,1
				E38	1,1
				E39	1,1
				E40	1,1
				E41	1,1
				E42	1,1
				E43	1,1
				E44	1,1
				E45	1,1
				E46	1,1
				E47	1,1
				E48	1,1
				E49	1,1
				E50	1,1

DESCRIPTION	DESIGNATION	+15V	-15V	+5V	GND
4069UB	E2, E22	14			7
4053B	E3	16			8
4043B	E6, E35	16			8
4073B	E7	14			7
4081B	E8, E34	14			7
4070B	E11, E14, E20	14			7
4013B	E12, E24, E25, E29	14			7
CD4040B	E13, E17	16			8
4011UB	E16, E26	14			7
4076B	E18, E19	16			8
OSC 4.096 MHz	E21	14			7
CD4068B	E23	14			7
4071B	E27	14			7
CD4085B	E28, E31	14			7
ULN2004A	E30, E50	9			8
4099BE	E32, E33	16			8
7406	E36, E37			14	7
4052B	E38, E39, E40, E44	16			8
DEC8640	E41, E42, E46			8	1
4050B	E43, E45			1	8
RES NETWORK	E47			16	8
7417	E48, E49			14	7
741	E9, E10	7	4		
4066B	E5	14			7
324	E4	4	11		
339	E1	3			12
7523JN	E15	14			3

REVISIONS		
CHK	CHANGE NO.	REV.

THIS DRAWING AND SPECIFICATIONS HEREIN ARE THE PROPERTY OF DIGITAL EQUIPMENT CORPORATION AND SHALL NOT BE REPRODUCED OR COPIED OR USED IN WHOLE OR IN PART AS THE BASIS FOR THE MANUFACTURE OR SALE OF ITEMS WITHOUT WRITTEN PERMISSION. COPYRIGHT © 1972 DIGITAL EQUIPMENT CORPORATION



REVISIONS		
CHK	CHANGE NO.	REV.

TITLE	CAPSTAN SERVO (CS5)	SIZE	CODE	D	CS	NUMBER	G159-0-1	REV.	M
SCALE		SHEET	5	OF	5	DIST.			

REV. M
G159-0-1

LINE	ITEM	DOCUMENT NUMBER	PART NUMBER	DESCRIPTION	QTY PER VARIATION	REFERENCE DESIGNATOR
					00	
1	1		5012399-00	G159	1	
2	2		1000016-00	100.0 MMF 100V 5%200PPM MICA	14	C31,C32,C72-C83
3	3		1000022-00	270.0 MMF 100V 5%200PPM MICA	1	C19
4	4		1010978-36	.1 MFD 50V 10% CER	1	C25
5	5		1001383-00	4700.0 MMF 100V 3%200PPM MICA	2	C15,C16
6	6		1001610-00	.01 MFD 50V +80-20% Z5U CER	40	C6-C14,C26,C27,C39,C44-C71
7	7		1001631-00	390.0 MMF 100V 5%200PPM MICA	1	C40
8	8		1001774-00	.05 MFD 25V 10% Y5U DISC	2	C4,C5
9	9		1001796-00	50 MFD 25V +75-10% AL EL	3	C1-C3
10	10		1010716-00	20 MFD 60V 5% W.TANT	1	C17
11	11		1004813-00	10 MFD 20V 10% S.TANT	1	C34
12	12		1010031-03	.22 MFD 50V 10% M.POLYCARB	2	C21,C35
13	13		1010274-02	1 MFD 50V +80-20% CER	1	C24
14	14		1010646-00	.015 MFD 50V 2% M.POLYCARB	1	C18
15	15		1011740-00	5600.0 MMF 50V 10% CER	1	C38
16	16		1000050-00	.033 MFD 100V 80V 10% MYL	2	C36,C37
17	17		1100114-00	D 664 QS\75PCB PIV= 25V SP	3	D2,D7,D10
18	18		1109991-01	4M6.8AZ1 VZ= 6.8 1% .40W	1	D1
19	19		1105871-00	1/4M5.1AZ1 = 5.1 1% .25W N	2	D3,D4
20	20		1209941-02	PCB,HEADER 40PIN(2X20).100CC 90D	1	J1
21	21	USED ON J1	1209941-03	PCB,HEADER LATCH	1	
22	22	USED ON J1	1209941-04	PCB,HEADER LATCH	1	
23	23		1211180-00	/REPLACED BY 12-11180-02	1	S9
24	24		1212297-03	MATE-N-LOK 03PIN(1X03).250CC HDR	1	J2
25	25		1212297-05	MATE-N-LOK 06PIN(2X03).250CC HDR	2	J3,J4
26	26		1213335-00	PCB,HEADER 20POS(2X10).100CC 90D	1	J5
27	27	USED FOR S1-S8	1214343-02	SW,PB LT 2PDT 8SEC W/BUTTONS 1A	1	
28	28		1300229-00	100.0 .25 W 5.0 % CF	2	R47,R109
29	29		1300296-00	330.0 .50 W 5.0 % CF	1	R25
30	30		1300365-00	1.0 K .25 W 5.0 % CF	3	R20,R102,R119

REVISION HISTORY			BASIC PART NO:	OG159		DIGITAL						
ENG	ECO NUMBER	REV	SECTION A OF A	DRN:	MILT RIPLEY	DATE:	17-OCT-78					
	INIT	D	SECTION VARIATION INDEX	CHK'D:	P. BOSSMAN	DATE:	09-NOV-78					
B.K	G159-ML002	E	[A] 00	DES. ENG:	B. KRASNICK	DATE:	09-NOV-78					
B.K	G159-ML003	F	[B]	RESP. ENG.:	B. KRASNICK	DATE:	09-NOV-78					
BK	G159-ML004	H	[C]	MFG. ENG.:	P. BARTON	DATE:	09-NOV-78					
RN	G159-ML007	K	[D]	ASSEMBLY NUMBER:	D-UA-G159-0-0	TOP DOCUMENT NUMBER:	B-DD-G159-0-0		FILE NAME:	Z0517M.PLS	EDIT #	29
RN	G159-ML009	L	[E]									
RN	G159-SH010	M	[F]									
			[G]									
			[H]									
			[J]									
			[K]									
			[L]									
			[M]									
			[N]									

"THIS DRAWING AND SPECIFICATIONS HEREIN, ARE THE PROPERTY OF DIGITAL EQUIPMENT CORPORATION AND SHALL NOT BE REPRODUCED OR COPIED OR USED IN WHOLE OR IN PART AS THE BASIS FOR THE MANUFACTURE OR SALE OF ITEMS WITHOUT WRITTEN PERMISSION. COPYRIGHT (C) 1983. DIGITAL EQUIPMENT CORPORATION "

LINE	ITEM	DOCUMENT NUMBER	PART NUMBER	DESCRIPTION	QTY	PER VARIATION	REFERENCE DESIGNATOR
					00		
31	31		1300444-00	3.90 K .25 W 5.0 * CF	4		R34,R38,R42,R43
32	32		1300479-00	10.0 K .25 W 5.0 * CF	11		R12-R19,R49,R85,R105
33	33		1300488-00	12.0 K .25 W 5.0 * CF	1		R41
34	34		1313752-00	15.0 K .25 W 1.0 * RN55D-F10	2		R23,R108
35	35		1300539-00	120.0 K .25 W 5.0 * CF	2		R37,R39
36	36		1301317-00	10.0 .25 W 5.0 * CF	8		R1-R8
37	37		1301695-00	47.0 .50 W 5.0 * CF	1		R11
38	38		1301808-00	*** THIS ITEM IS NOT USED ***	-		
39	39		1301874-00	5.60 K .25 W 5.0 * CF	4		R35,R81,R86,R94
40	40		1300496-00	15.0 K .25 W 5.0 * CF	3		R110,R111,R44
41	41		1302388-00	2.0 K .25 W 5.0 * CF	13		R67-R77,R80,R50
42	42		1302391-00	20.0 K .25 W 5.0 * CF	5		R28,R92,R93,R98,R99
43	43		1302394-00	30.0 K .25 W 5.0 * CF	7		R21,R22,R82,R83,R106,R107,R120
44	44		1302398-00	470.0 K .25 W 5.0 * CF	3		R48,R96,R97
45	45		1302514-00	39.0 K .25 W 5.0 * CF	2		R100,R101
46	46		1303044-00	100.0 K .25 W 1.0 * RN55D-F10	1		R31
47	47		1303176-00	1.60 K .25 W 5.0 * CF	2		R33,R84
48	48		1303179-00	8.20 K .25 W 5.0 * CF	2		R9,R10
49	49		1301327-00	68.0 K .25 W 5.0 * CF	1		R40
50	50		1304841-00	75.0 K .25 W 5.0 * CF	1		R27
51	51		1304865-00	1.0 K .25 W .10 * RN55E-B 2	2		R29,R30
52	52		1305425-00	309.0 K .25 W 1.0 * RN55D-F10	1		R32
53	53		1305431-00	10.0 K .25 W .10 * RN55E-B 2	2		R113,R114
54	54		1309143-14	100.0 K .75 W 10.0 * POT	3		R26,R87,R95
55	55		1309595-00	1.0 M .25 W 5.0 * CF	1		R24
56	56		1310607-00	422.0 K .25 W 1.0 * RN55C-F 5	1		R46
57	57		1311003-01	R NETWORK 14-180 14-390 16PIN	1		E47
58	58		1312930-00	5.10 K .25 W 5.0 * CF	1		R115
59	59		1313843-00	107.0 K .25 W 1.0 * RN55D-F10	1		R45
60	60		1514341-00	ULN2004A NPN 1W SI ARRAY	2		E30,E50
61	61		1814249-00	OSCILLATOR, XTAL 4.096 MHZ	1		E21
62	62		1909929-00	7417 BUFFER GATE-HEX 1INP	2		E48,E49
63	63		1910298-00	741 OP AMP GEN PURP. COM	2		E10,E9
64	64		1910741-00	7406 INVERTER GATE-HEX 1I	2		E36,E37
65	65		1911469-00	DEC 8640 RECEIVER,BUS,QUAD,U	3		E41,E42,E46
66	66		1912107-00	324 OP AMP,QUAD	1		E4
67	67		1912108-00	339 VOLT CMPRTR,QUAD	1		E1
68	68		2113607-00	4011UBNAND GATE-QUAD 2IN C	2		E16,E26
69	69		2113609-00	4013B FF-D DUAL W/SET/RESE	4		E12,E24,E25,E29
70	70		2113623-00	4043B NOR R/S LATCH,QUAD	2		E6,E35
71	71		2113628-00	4050B BUFFER/CONVERTER GAT	2		E43,E45
72	72		2113630-00	4052B MULTIPLEXER 4CHAN DI	4		E38-E40,E44
73	73		2113632-00	4066B BILATERAL SWITCH-QUA	1		E5
74	74		2113633-00	4069UBINVERTER GATE-HEX	2		E22,E2
75	75		2113634-00	4070B X-OR GATE-QUAD CMOS	3		E11,E14,E20
76	76		2113635-00	4071B OR GATE-QUAD 2IN CMO	1		E27
77	77		2113637-00	4073B AND GATE-TRIPLE 3IN	1		E7
78	78		2113639-00	4076B REGISTER 4BIT D-TYPE	2		E18,E19

D	I	G	I	T	A	L	TITLE	SECTION A	OF A	SIZE	CODE	DOCUMENT NUMBER	REV
							CAPSTAN SERVO			K	PL	G159-0-DBP	M

AUTOMATED BY PRTLST.2E(3)

PARTS LIST

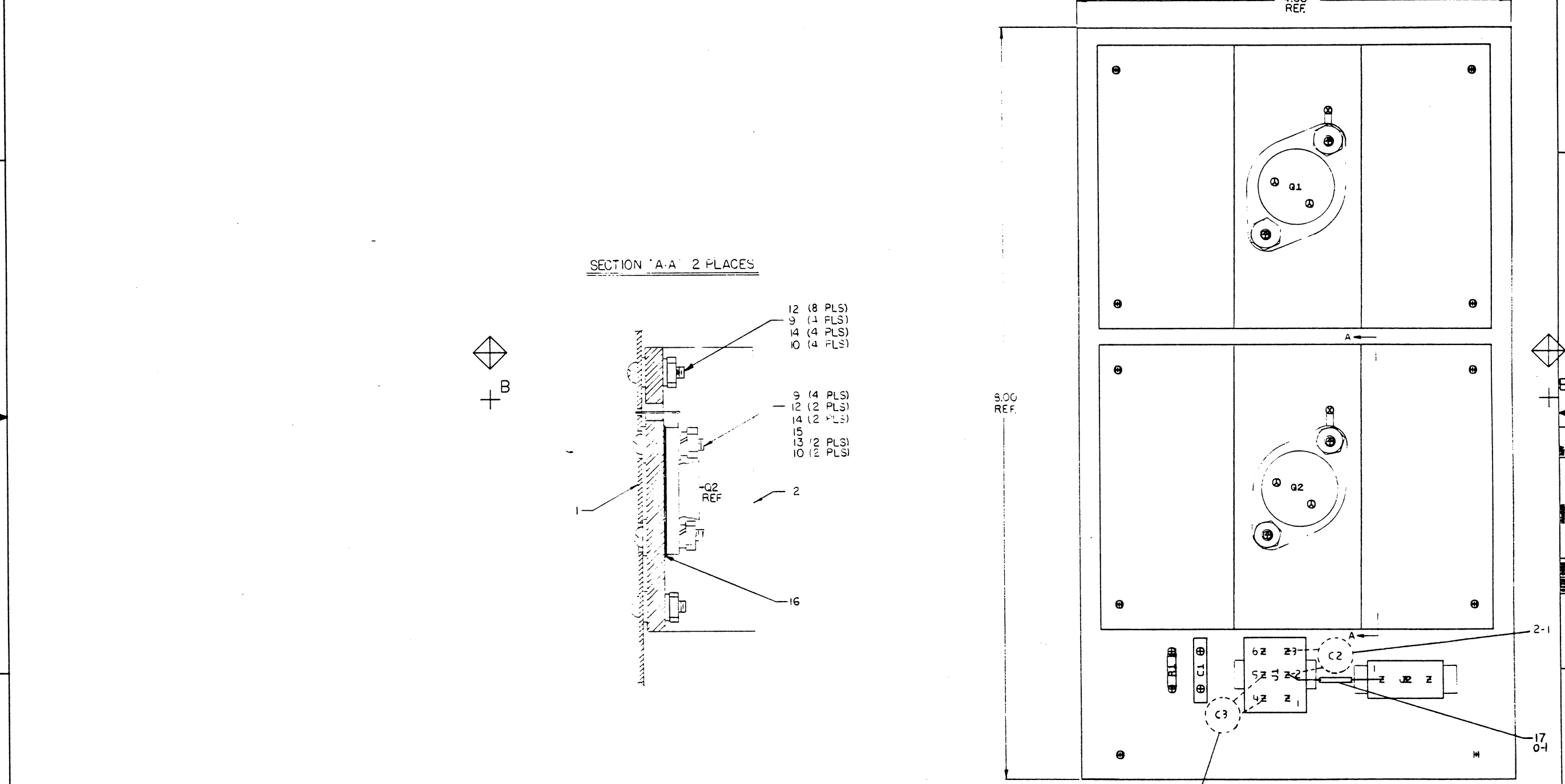
SHEET A3 OF A3

LINE	ITEM	DOCUMENT NUMBER	PART NUMBER	DESCRIPTION	QTY PER VARIATION 00	REFERENCE DESIGNATOR
79	79		2113642-00	4081B AND GATE-QUAD 2IN CM	2	E34,E8
80	80		2113946-00	4053B MULTIPLEXER 2CHAN CM	1	E3
81	81		2114462-00	4040B COUNTER/DIVIDER,BINA	2	E13,E17
82	82		2114463-00	4068B NAND GATE,8IN	1	E23
83	83		2114464-00	4085B AND-OR GATE,DUAL,2IN	2	E28,E31
84	84		2114465-00	4099BELATCH-ADDRESSABLE 8BIT	2	E32,E33
85	85		2116019-00	7523JND/A CONVERTER,MULT,8	1	E15
86	86		1312985-00	332.0 K .25 W 1.0 % RN55D-F10	1	R36
87	87		9105740-55	*** THIS ITEM IS NOT USED ***	-	
88	88		1313596-00	20.0 K .25 W 1.0 % RN55D-F10	2	R103,R104
89	89		9107256-11	*** THIS ITEM IS NOT USED ***	-	
90	90		1300391-00	1.50 K .25 W 5.0 % CF	2	R78,R79
91	91		1002630-00	.015 MFD 100V 10% MYLR	1	C20
92	92	D-UA-G159-0-0		UNIT ASS'Y	REF	
93	93	D-CS-G159-0-1		CIRCUIT SCHEMATIC	REF	
94	94	D-MD-5012399-0-0		DRILL AND ETCH DRAWING	REF	

D	I	G	I	T	A	L	TITLE	SECTION A OF A	SIZE	CODE	DOCUMENT NUMBER	REV
							CAPSTAN SERVO		K	PL	G159-0-DBP	M

8 7 6 5 4 3 2 1
 D UA 5413692-0-0 C

THIS DRAWING AND SPECIFICATIONS, HEREON, ARE THE PROPERTY OF SPECTRA ELECTRONIC CORPORATION AND SHALL NOT BE REPRODUCED OR COPIED IN WHOLE OR IN PART IN ANY MANNER FOR THE DISTRIBUTION OR SALE OF THIS DRAWING WITHOUT PERMISSION. SPECTRA ELECTRONIC CORPORATION © 1978



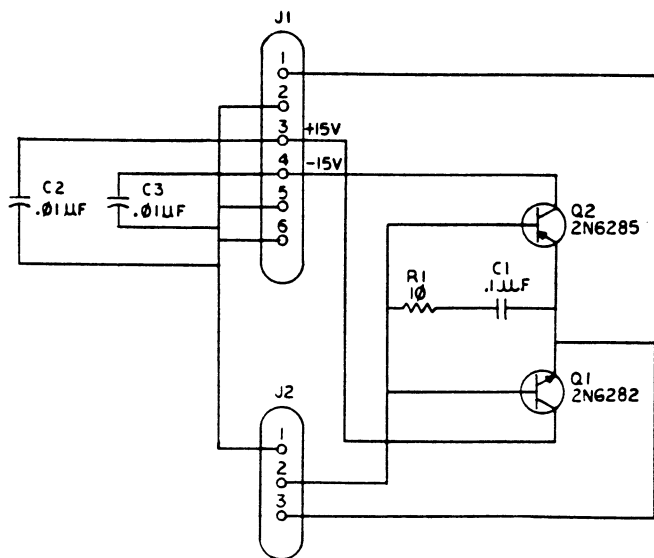
NOTES: 1. THIS BOARD MUST BE UL APPROVED.
 2. C2 AND C3 CAPACITORS ARE MOUNTED TO THE BOARD ON SIDE 2.

CHANGE NO	REV	DATE	BY	CHK'D
5413692-ML1	B	11/17/77	B. KRASNICK	
5413692-C	C	11/17/77	B. KRASNICK	
5413692-0-0				
R. NOTE				

SIGNATURES		DATE	digital
DRN. J. FITZGERALD		11/17/77	
CHK'D. <i>[Signature]</i>		11/17/77	
ENG. B. KRASNICK		11/17/77	
PROJ. ENG. B. KRASNICK		11/17/77	
PROD. <i>[Signature]</i>		11/17/77	
SCALE 2/1			TITLE
SHT. 1 OF 4			CAPSTAN DRIVER BD.
ETCH REV. B			SIZE CODE
P.C. DESIGN DATA BRSE REV. BL			NUMBER
			D UA 5413692-0-0
			REV
			C

THIS DRAWING AND SPECIFICATIONS, HEREIN, ARE THE PROPERTY OF DIGITAL EQUIPMENT CORPORATION AND SHALL NOT BE REPRODUCED OR COPIED OR USED IN WHOLE OR IN PART AS THE BASIS FOR THE MANUFACTURE OR SALE OF ITEMS WITHOUT WRITTEN PERMISSION.
 COPYRIGHT © 1978 DIGITAL EQUIPMENT CORPORATION

1-0-2692179-0 2



REV.	DATE	BY	CHKD
B	1/10/78	B. KRASNICK	
C	1/12/78	S. Vincent	
		R. NUTE	
		R. NUTE	

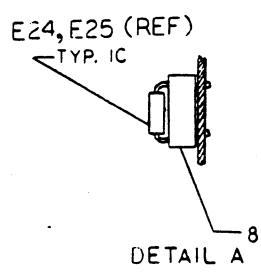
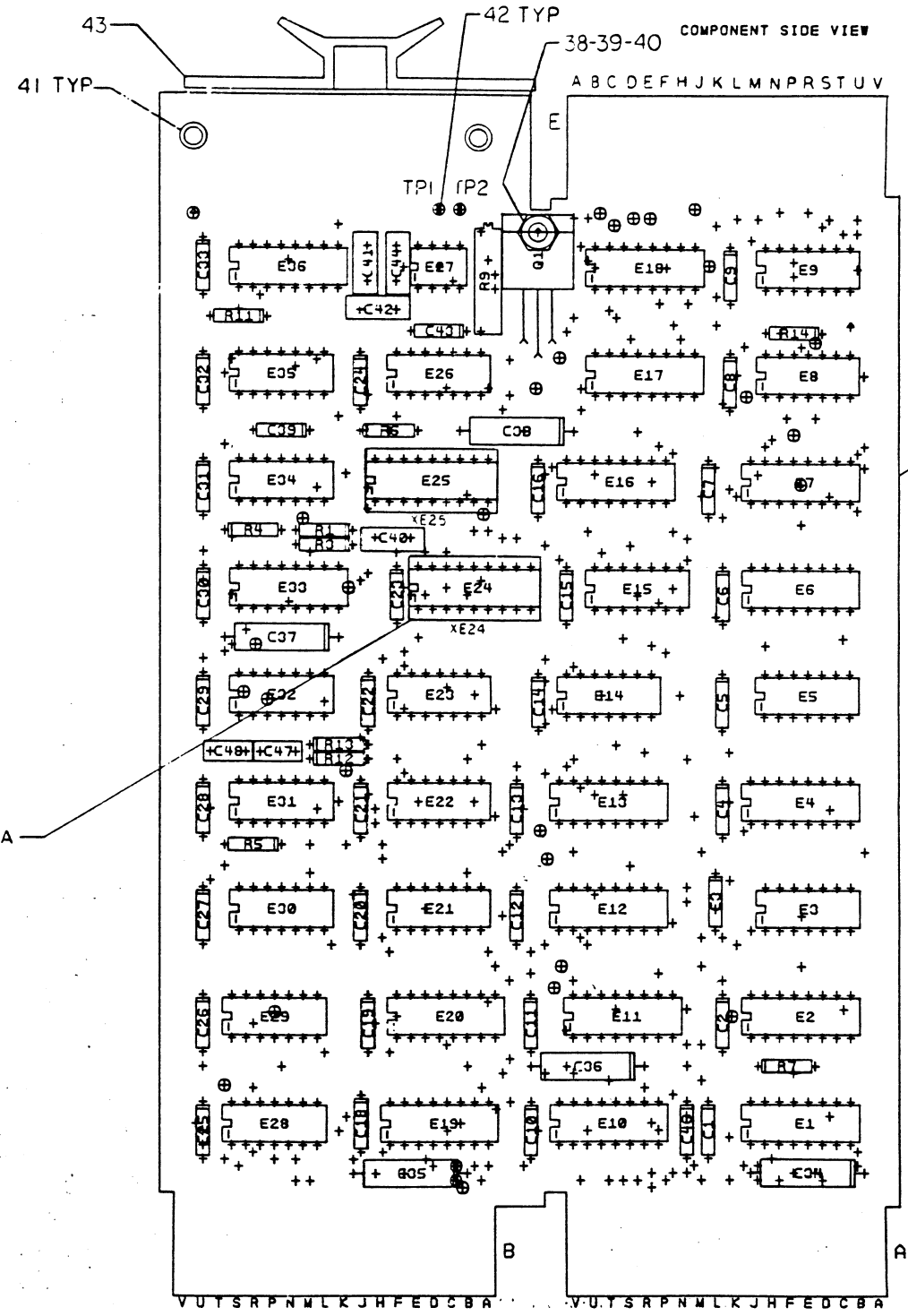
DRN: <i>[Signature]</i> 1/10/78	FIRST USED ON	TS11
CHK: <i>[Signature]</i> 2/1/79	TITLE	CAPSTAN DRIVER BOARD
ENGR: S. K. <i>[Signature]</i> 2/1/79	PROJ. ENG. D. <i>[Signature]</i> 2/1/79	
PROD. PLAN. <i>[Signature]</i> 1/17/78	NEXT HIGHER ASBY.	
B-00-5413692-0	SIZE CODE	D CS
SCALE	NUMBER	5413692-0-1
SHEET	DIST.	1 C
		SHO

LINE	ITEM	DOCUMENT NUMBER	PART NUMBER	DESCRIPTION	QTY	PER VARIATION	REFERENCE DESIGNATOR
1	1		5013691-00	DRILL & ETCH BD	1		
2	2		1216232-00	HEAT SINK 3 X 4-1/8	2		
3	3		1516120-01	PNP 160W SI 60 750 DA	1		Q2
4	4		1516120-00	PNP 160W SI 60 750 DA	1		Q1
5	5		10000230-00	.1 MFD 100V 20% Z5U DISC	1		C1
6	6		1212297-03	MATE-N-LOK 3PIN UNIV HEADER	1		J2
7	7		1212297-05	MATE-N-LOK 6PIN UNIV.	1		J1
8	8		1301317-00	10 1/4W 5% CC	1		R1
9	9		9007793-01	SCREW,PAN,PHIL, 6-32X 9/16	4		
10	10		9006558-00	NUT,HEX, 6-32X5/16AF X 7/	12		
11	11		9006656-00	*** THIS ITEM IS NOT USED ***	-		
12	12		9006222-01	SCREW,PAN,PHIL, 6-32X 3/8	8		
13	13		9007801-00	WASHER, LOCK, S.S. #6	4		
14	14		9008992-00	WASHER, FLAT, WHITE NYLON, 375 X	20		
15	15		9009676-00	TERM LUG 1POS SOLDER	2		
16	16		9008208-00	COMPOUND, THERMAL JOINT	8	A/R	
17	17		9107636-55	WIRE,STRND,26AWG,IPVC UL1429	A/R		

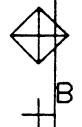
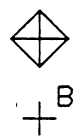
REVISION HISTORY		BASIC PART NO: 5413692		DRN:	J.FITZGERALD	DATE:	25-SEP-78	D I G I T A L			
ENG	ECD NUMBER	REV	SECTION A OF A	CHK'D:	P.BOSSMAN	DATE:	08-NOV-78	TITLE		PARTS LIST	
---	INIT	A	SECTION VARIATION INDEX	DES.ENG:	R.KRASNICK	DATE:	08-NOV-78	CAPSTAN DRIVER RD			
B.K	5413692-01	B	(A) 00					DOCUMENT NUMBER			
			(B)	RESP.ENG.:	B.KRASNICK	DATE:	25-SEP-78	SIZE	CODE	NUMBER	REV
			(C)	MFG.ENG.:	P.BARTON	DATE:	08-NOV-78	K	PL	5413692-0-DBP	B
			(D)	ASSEMBLY NUMBER:	D-UA-5413692-0-0	TOP DOCUMENT NUMBER:	TS11	FILE NAME:	Z0300B.PLS		EDIT #
			(E)								9
			(F)	THIS DRAWING AND SPECIFICATIONS HEREIN, ARE THE PROPERTY OF DIGITAL EQUIPMENT CORPORATION AND SHALL NOT BE REPRODUCED OR COPIED OR USED IN WHOLE OR IN PART AS THE BASIS FOR THE MANUFACTURE OR SALE OF ITEMS WITHOUT WRITTEN PERMISSION.							
			(G)	COPYRIGHT (C) 1979. DIGITAL EQUIPMENT CORPORATION							

8 7 6 5 4 3 2 1

THIS DRAWING AND SPECIFICATIONS, HEREIN, AND THE PROPERTY OF SILENT EQUIPMENT CORPORATION AND SHALL NOT BE REPRODUCED OR COPIED OR USED IN WHOLE OR IN PART FOR THE MAKING OF THE MANUFACTURE OR SALE OF ITEMS WITHOUT WRITTEN PERMISSION.
COPYRIGHT © 1978 SILENT EQUIPMENT CORPORATION



SEE DETAIL A



D U A M8922-0-0
B
E
A

NOTES:

CHANGE NO	REV	DATE	BY
M8922-M-001	E	4/1/78	R. CORNEAU

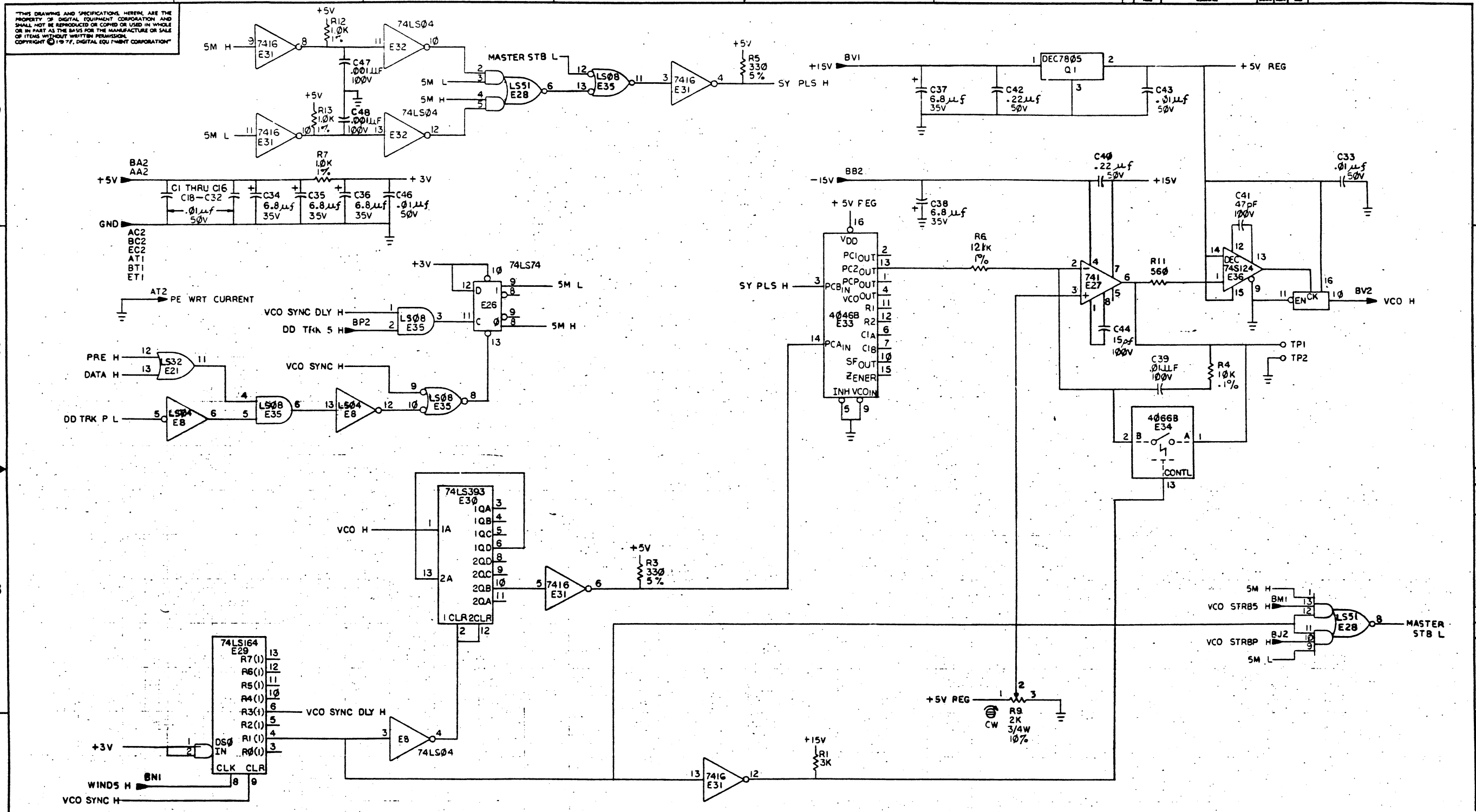
ETCH REV. E
P.C. DESIGN DATA BASE REV. EL & 214

SIGNATURES	DATE
DRN. ANGEL COLON	3/27/78
CHK. D. ...	3/27/78
ENG. ...	3/27/78
PROJ. ENG. ...	3/27/78
PROD. ...	3/27/78

digital	
TITLE BRANCH LOGIC AND VCO CONTROL	
SIZE CODE	NUMBER
D U A	M8922-0-0
REV	E

8 7 6 5 4 3 2 1 MS#10-4737

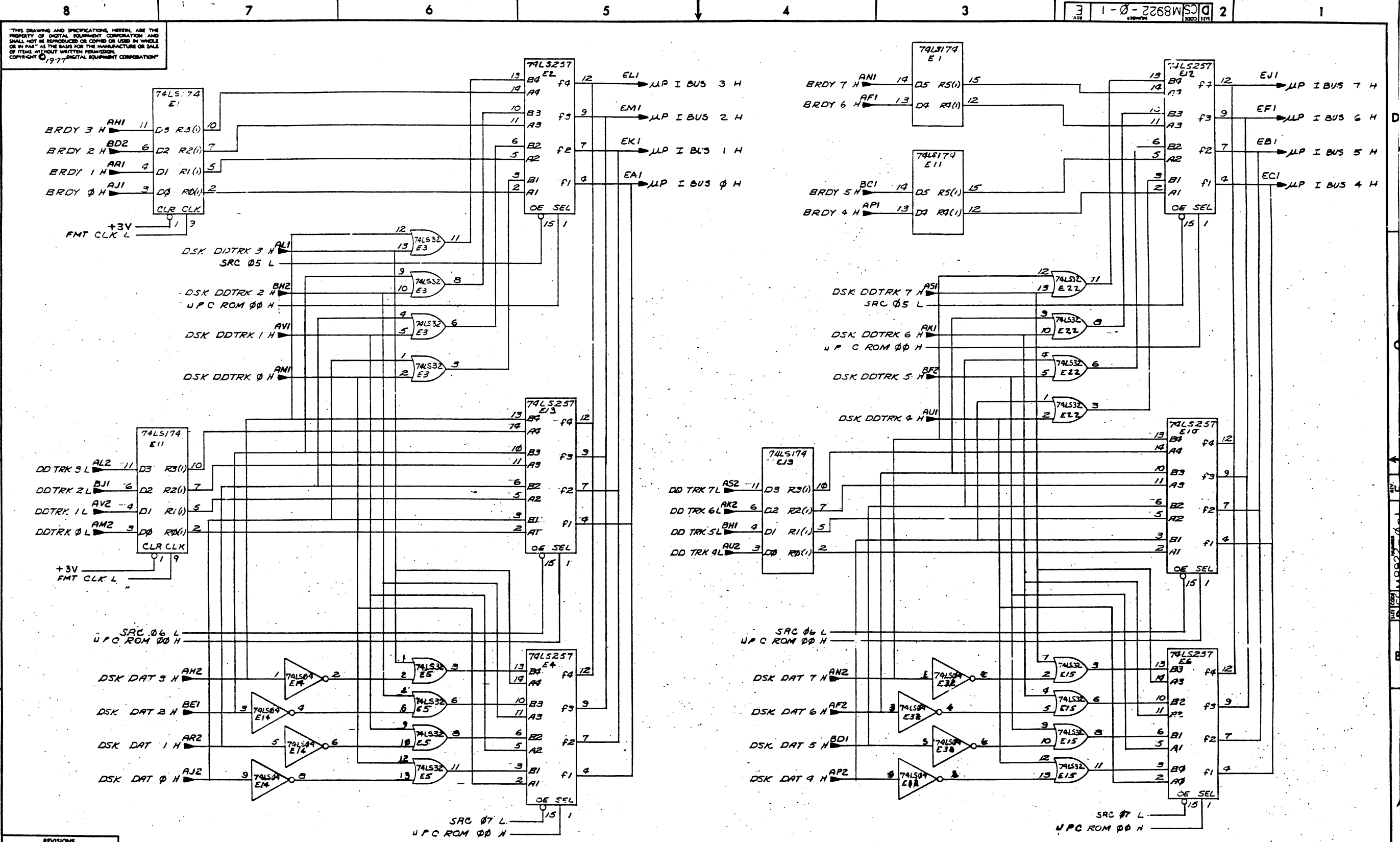
THIS DRAWING AND SPECIFICATIONS HEREIN ARE THE PROPERTY OF DIGITAL EQUIPMENT CORPORATION AND SHALL NOT BE REPRODUCED OR COPIED OR USED IN WHOLE OR IN PART AS THE BASIS FOR THE MANUFACTURE OR SALE OF ITEMS WITHOUT WRITTEN PERMISSION. COPYRIGHT © 1977, DIGITAL EQUIPMENT CORPORATION



REV.	REV.
11 MAY 79	
R. CORNEAU	

DRN. J. PHILLIPS	4/26/78	FIRST USED ON	TS11
CHK'D. J. B. [Signature]	22 Nov 78	TITLE	BRANCH LOGIC & VCO CONTROL
ENL. R. [Signature]	21 Nov 78	SCALE	NONE
PROD. [Signature]	21 Nov 78	SHEET	1 OF 3
NEXT HIGHER ASSY.		SIZE	CODE
B-DD-M8922-0		NUMBER	M8922-0-1
SCALE	NONE	REV.	
SHEET	1 OF 3	DIST.	

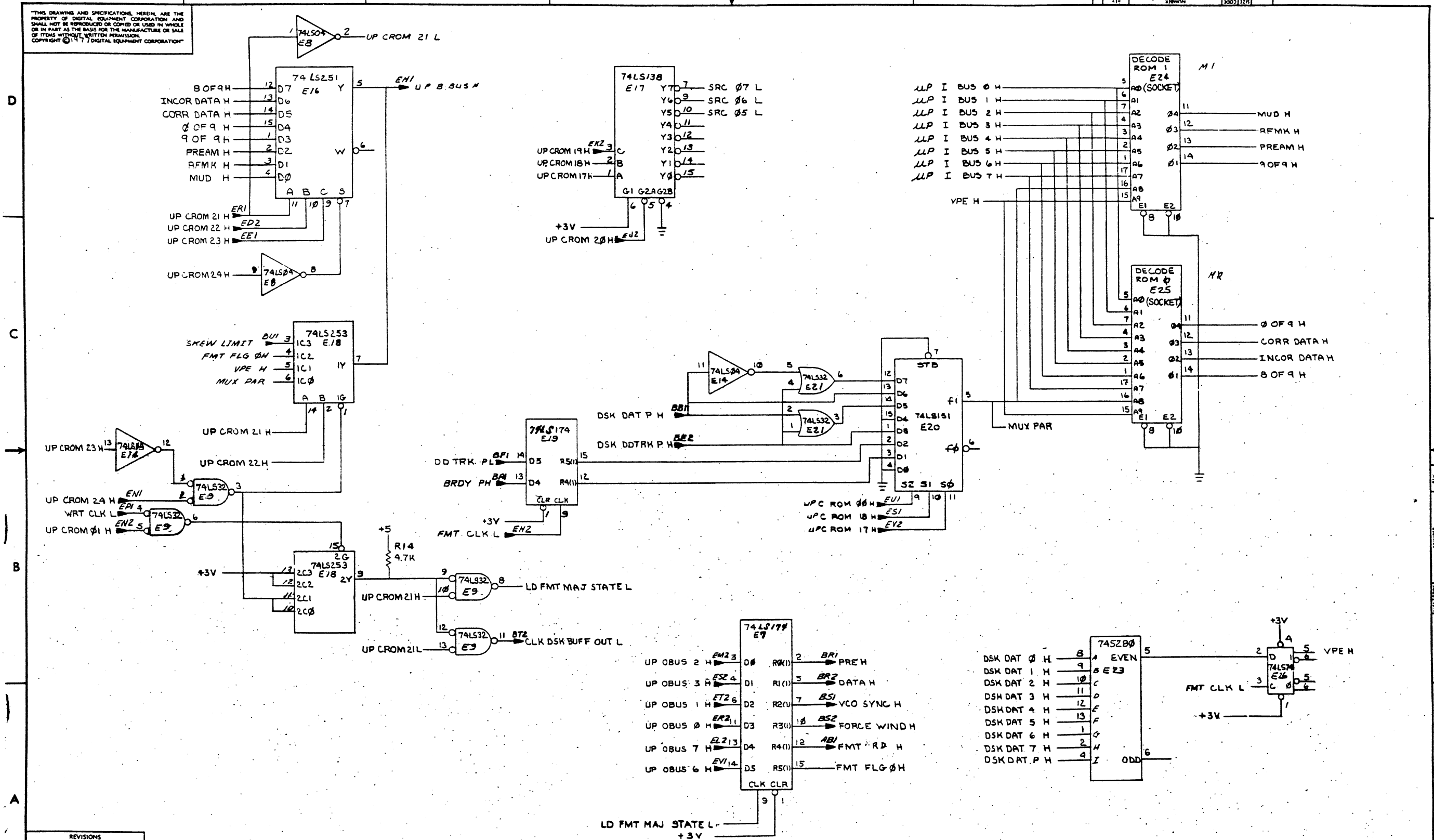
THIS DRAWING AND SPECIFICATIONS, HEREIN, ARE THE PROPERTY OF DIGITAL EQUIPMENT CORPORATION AND SHALL NOT BE REPRODUCED OR COPIED OR USED IN WHOLE OR IN PART AS THE BASIS FOR THE MANUFACTURE OR SALE OF ITEMS WITHOUT WRITTEN PERMISSION. COPYRIGHT © 1977 DIGITAL EQUIPMENT CORPORATION



REVISIONS		
CHK	CHANGE NO.	REV.

THIS DRAWING AND SPECIFICATIONS, HEREIN, ARE THE PROPERTY OF DIGITAL EQUIPMENT CORPORATION AND SHALL NOT BE REPRODUCED OR COPIED OR USED IN WHOLE OR IN PART AS THE BASIS FOR THE MANUFACTURE OR SALE OF ITEMS WITHOUT WRITTEN PERMISSION. COPYRIGHT © 1977 DIGITAL EQUIPMENT CORPORATION

3 1-0-2268W 2



REVISIONS		
CHK	CHANGE NO.	REV.

TITLE	SIZE CODE	NUMBER	REV.
BRANCH LOGIC & VCO CONT.	DCS	M8922-0-1	E
SCALE NONE	SHEET 3 OF 3	DIST.	

DCS M8922-0-1 E

LINE	ITEM	DOCUMENT NUMBER	PART NUMBER	DESCRIPTION	QTY PER VARIATION	REFERENCE DESIGNATOR
1	37		5012776-00	M8922	1	
2	1		1000011-00	47.0 MF 100V 5%200PPM DM15S	1	C41
3	2		1000042-00	1000.0 MF 100V 5%200PPM DM15S	2	C47,C48
4	3		1001610-00	.01 MFD 50V -20+80 Z5U AXIAL	34	C1-C16,C18-C33,C46,C43
5	4		1002427-00	15.0 MF 100V 5%200PPM DM15S	1	C44
6	5		1005300-00	6.8MFD 35V 10% S,TANT	5	C34-C38
7	6		1005784-00	.01 MFD 100V 10% 663VW MYLR	1	C39
8	7		1010274-00	.22 MFD 50V -20+80 Z5U CER	2	C40,C42
9	8		1211506-00	SOCKET 18PIN IC LOW PROFILE	2	XE24,XE25
10	9		1300432-00	3 K 1/4W 5% CC	1	R1
11	10		1300447-00	4.7 K 1/4W 5% CC	1	R14
12	11		1301890-00	560 1/4W 5% CC	1	R11
13	12		1302748-00	1.0 K 1/4W 1% RN55C-F 50PPM	3	R7,R12,R13
14	15		1303438-00	121 K 1/4W 1% RN55D-F 100PPM	1	R6
15	13		1305431-00	10 K 1/4W .1% RN55E-B 25PPM	1	R4
16	14		1309143-08	2 K 3/4W10% POT 100PPM	1	R9
17	16		1909928-00	7416 INVERTER GATE-HEX 1I	1	E31
18	17		1910298-00	741 OP AMP GEN PURP. COM	1	E27
19	19		1911573-00	74S280 PARITY GEN/CHKR,9BIT	1	E23
20	24		1911911-00	DEC 74S124 OSCILLATOR,DUAL VOLT	1	E30
21	21		1912536-00	DEC 7805 VOLT,REG,FIX	1	G1
22	22		1912646-00	LS253 MUX 1 OF 4 (DUAL)	1	E18
23	23		1912647-00	LS257 MUX 1 OF 2 (QUAD)	6	E2,E4,E6,E10,E12,E13
24	24		1912648-00	LS251 MUX 8 INPUT,TRI-STA	1	E16
25	18		1912697-00	LS174 FF-D HEX w/CLEAR	4	E1,E7,E11,E19
26	25		1912803-00	LS04 INVERTER GATE-HEX 1I	3	E8,E14,E32
27	26		1912805-00	LS08 AND GATE-QUAD 2IN,PO	1	E35
28	27		1912816-00	LS32 OR GATE-QUAD 2IN,POS	6	E3,E5,E9,E15,E21,E22
29	28		1912820-00	LS51 A-O-I GATE 2-WIDE 2I	1	E28
30	29		1912824-00	LS74 FF-D DUAL,EDGE TRIGG	1	E26

REVISION HISTORY			BASIC PART NO:	M8922	DRN:	H,RICHER	DATE:	20-FEB-78	D I G I T A L			
ENG	ECO NUMBER	REV	SECTION A	OF A	CHK'D:	P,BOSSMAN	DATE:	21-JUN-78	TITLE PARTS LIST			
---	INIT	D	SECTION	VARIATION INDEX	DES.ENG:	R,ODOM	DATE:	10 NOV 78	BRANCH LOGIC & VCU CONTROL			
R,C	M8922-ML001	E	(A)	00	RESP.ENG.:	R,ODOM	DATE:	10 NOV 78	DOCUMENT NUMBER			
			(B)						SIZE	CODE	NUMBER	REV
			(C)		MFG.ENG.:	P,BARTON	DATE:	10 NOV 78	K	PL	M8922-0-DBP	E
			(D)		ASSEMBLY NUMBER:		TOP DOCUMENT NUMBER:		FILE NAME:			EDIT #
			(E)		D-UA-M8922-0-0		TS04		: Z0564E,PLS			23
			(F)									
			(H)									
			(J)									
			(K)									
			(L)									
			(M)									
			(N)									

"THIS DRAWING AND SPECIFICATIONS HEREIN, ARE THE PROPERTY OF DIGITAL EQUIPMENT CORPORATION AND SHALL NOT BE REPRODUCED OR COPIED OR USED IN WHOLE OR IN PART AS THE BASIS FOR THE MANUFACTURE OR SALE OF ITEMS WITHOUT WRITTEN PERMISSION. COPYRIGHT (C) 1979, DIGITAL EQUIPMENT CORPORATION "

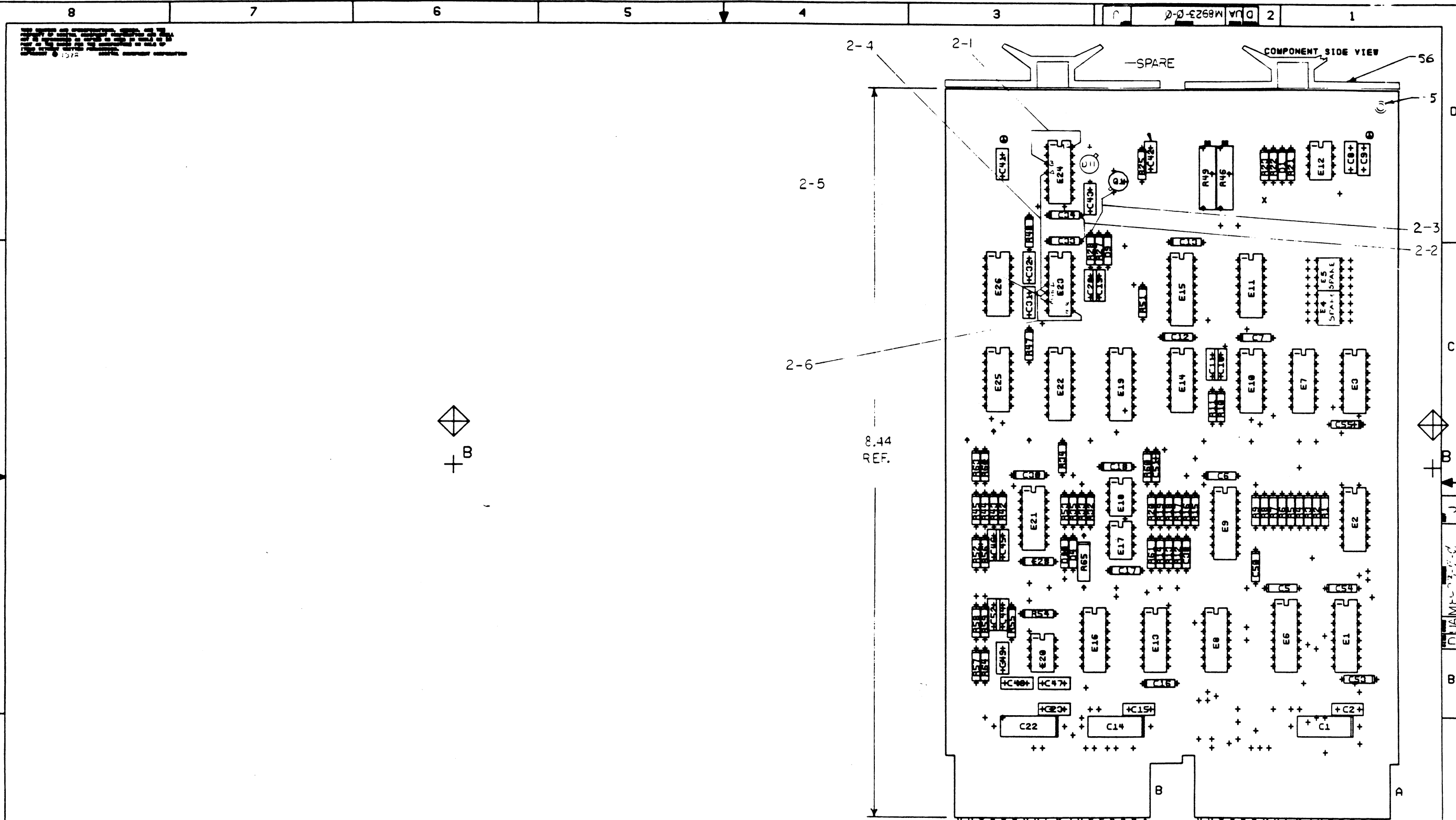
AUTOMATED BY PRTLST.ID(10)

P A R T S L I S T

SHEET A2 OF A2

LINE ITEM	DOCUMENT NUMBER	PART NUMBER	DESCRIPTION	QTY PER VARIATION 00	REFERENCE DESIGNATOR
31	30	1912842-00	LS138 DECODER-THREE INPUT,	1	E17
32	31	1912844-00	LS151 MUX 1 OF 8 & DATA	1	E20
33	32	1912850-00	LS164 SHIFT REG, 8BIT SERI	1	E29
34	33	1914451-00	74LS393 COUNTER, BINARY, 4BIT	1	E30
35	34	2113625-00	4046B FF-JK GATED CMOS	1	E33
36	35	2113632-00	4066B BILATERAL SWITCH-QUA	1	E34
37	44	23383F1-00	F1-01	1	E25
38	45	23384F1-00	F1-01	1	E24
39	38	9006009-04	SCREW, BIND, SLOT, 4-40X 1/4	1	
40	39	9006556-00	NUT, HEX, 4-40X1/4 AF X 3/	1	
41	40	9006688-00	WASHER, LOCK, S.S. #4	1	
42	41	9006732-00	EYELET, ROLLED FLANGE, .121 OD X	2	TP1, TP2
43	42	9006735-00	EYELET, FUNNEL FLANGE, .059 OD X	2	
44	43	9008337-06	HANDLE, FLIP CHIP, MAGENTA	1	
45	44	1300295-00	330 1/4W 5% CC	2	R3, R5

D	I	G	I	T	A	L	TITLE	SECTION A OF A	SIZE	CODE	DOCUMENT NUMBER	REV
							BRANCH LOGIC & VCO CONTROL		K	PL	M8922-0-DBP	E



8.44 REF.

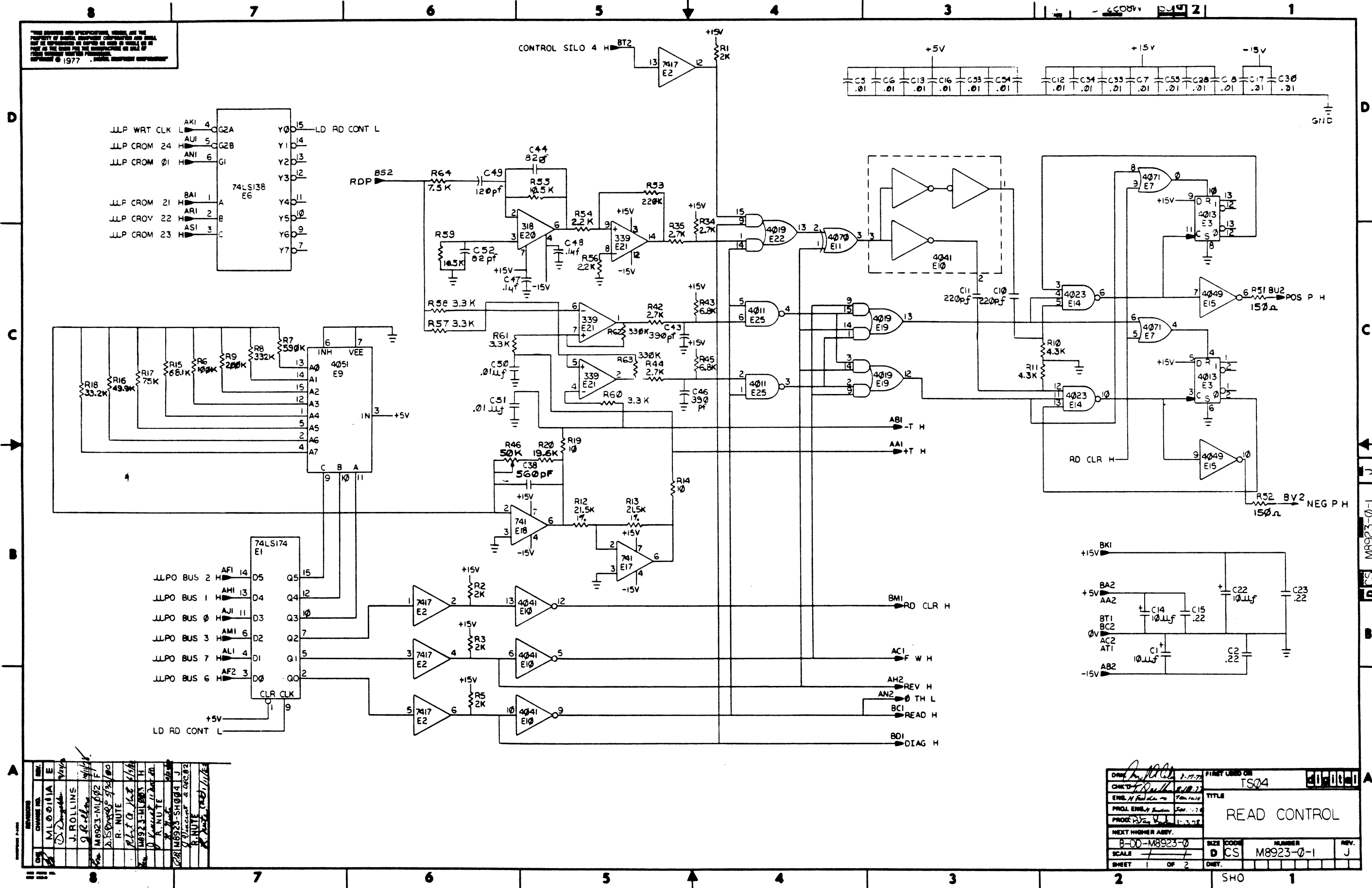
NOTES:

CHG	NO	REV	DATE	BY	REASON
1	1	E	1/27/72	J.R.	INITIAL
2	1	F	1/27/72	J.R.	INITIAL
3	1	F	1/27/72	J.R.	INITIAL
4	1	F	1/27/72	J.R.	INITIAL
5	1	F	1/27/72	J.R.	INITIAL
6	1	F	1/27/72	J.R.	INITIAL
7	1	F	1/27/72	J.R.	INITIAL
8	1	F	1/27/72	J.R.	INITIAL

ETCH REV. F-PI
P.C. DESIGN DATA BRSE REV. F

SIGNATURES	DATE	TITLE
DRN. J. DINGE DEIN	1/27/72	digital
CHK. D. [Signature]	1/27/72	READ
ENG. [Signature]	1/27/72	CONTROL
PROJ. ENG. [Signature]	1/27/72	
PROD. [Signature]	1/27/72	
SCALE 2/1	SIZE CODE	NUMBER
SHT. 1 OF 2	D UA M8923-0-2	REV. J
NEXT HIGHER ASSY. B-00-M8923-0		

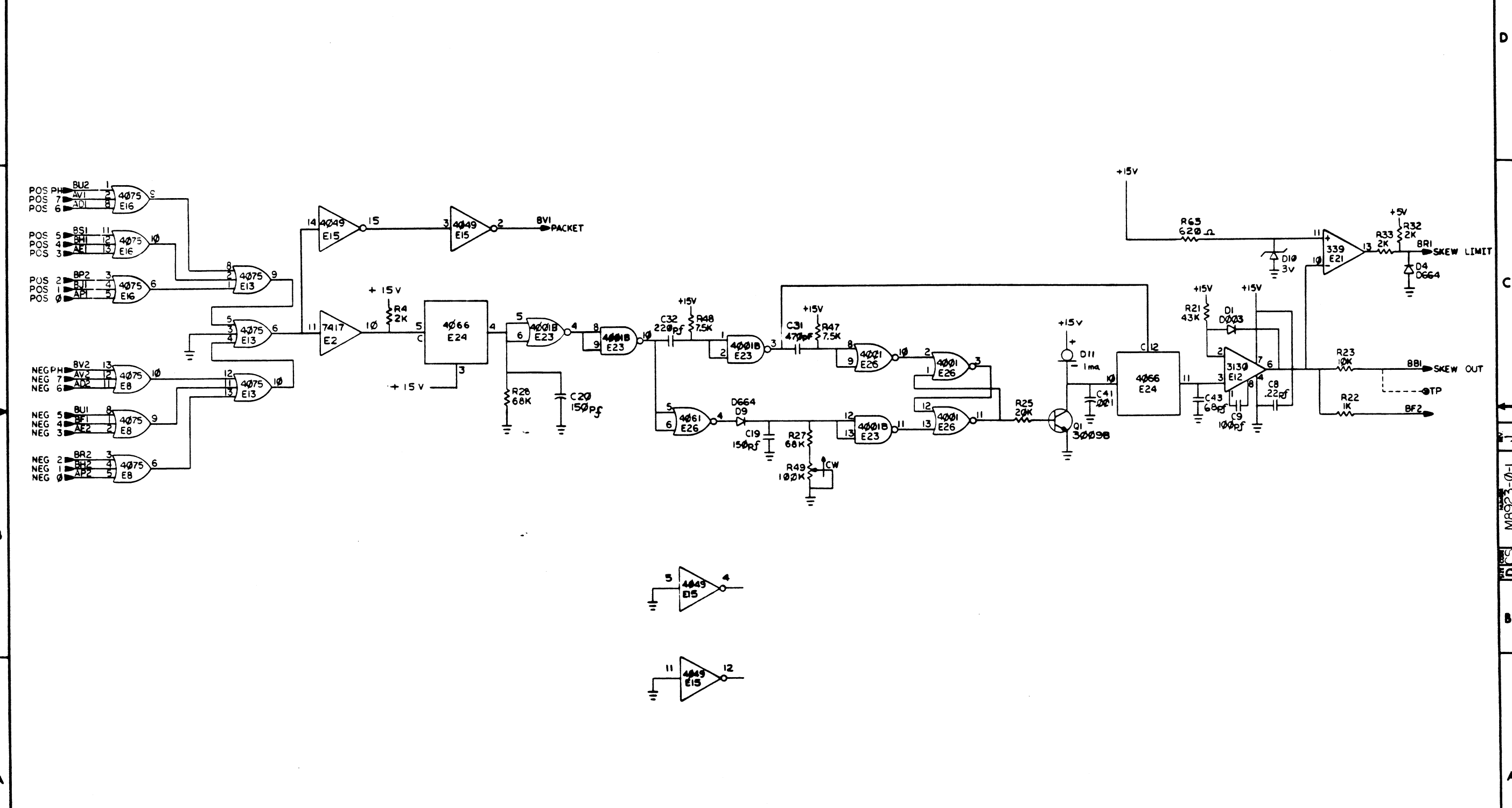
THIS DRAWING AND SPECIFICATION SHALL BE THE PROPERTY OF DIGITAL EQUIPMENT CORPORATION AND SHALL NOT BE REPRODUCED OR TRANSMITTED IN ANY FORM OR BY ANY MEANS, ELECTRONIC OR MECHANICAL, INCLUDING PHOTOCOPYING, RECORDING, OR BY ANY INFORMATION STORAGE AND RETRIEVAL SYSTEM, WITHOUT THE WRITTEN PERMISSION OF DIGITAL EQUIPMENT CORPORATION © 1977.



DESIGNER	DATE	REV.
ML0011A	E	
J. ROLLINS	11/17/77	
M8923-M8923-F	F	
R. NUTE	11/17/77	
M8923-M8923-H	H	
R. NUTE	11/17/77	
M8923-SH004	J	
R. NUTE	11/17/77	

DRW. BY	DATE	REV.	SIZE	CODE	NUMBER	REV.
ML0011A	11-17-77		D	CS	M8923-0-1	J
CHK'D BY	DATE	REV.	TITLE			
ENR. H. F.	READ CONTROL			
PROJ. ENGR.	NEXT HIGHER ASSY.			
PROJ.	SCALE			
SHEET 1 OF 2			DWT.			

THE DESIGN AND SPECIFICATIONS HEREIN ARE THE PROPERTY OF DIGITAL EQUIPMENT CORPORATION AND SHALL BE REPRODUCED OR COPIED OR USED IN WHOLE OR IN PART AS THE BASIS FOR THE MANUFACTURE OR SALE OF OTHER EQUIPMENT WITHOUT PERMISSION. COPYRIGHT © 1977 DIGITAL EQUIPMENT CORPORATION



REVISIONS		
CHK	CHANGE NO.	REV

M8923-0-1 J

AUTOMATED BY PRTLST.2E(3)

PARTS LIST

SHEET A1 OF A3

LINE	ITEM	DOCUMENT NUMBER	PART NUMBER	DESCRIPTION	QTY	PER VARIATION	REFERENCE DESIGNATOR
1	1	D-CS-M8923-0-1		READ CONTROL		REF	
2	2	D-UA-M8923-0-0		READ CONTROL		REF	
3	3	B-DD-M8923-0-0		READ CONTROL		REF	
4	4	D-MD-5012847-0-0		DRILL & ETCH DRAWING		REF	
5	5		5012847-00	M8923	1		
6	6		1000014-00	68.0 MMF 100V 5%200PPM MICA	1		C43
7	7		1000016-00	100.0 MMF 100V 5%200PPM MICA	1		C9
8	8		1000019-00	150.0 MMF 100V 5%200PPM MICA	2		C19,C20
9	9		1001610-00	.01 MFD 50V +80-20% Z5U CER	17		C5,C6,C7,C12,C13,C16-C18,C28, C30,C33,C34,C50,C51,C53-C55
10	10		1004813-00	10 MFD 20V 10% S.TANT	3	CONT	C1,C14,C22
11	11		1010274-00	.22 MFD 50V +80-20% Z5U CER	4		C2,C8,C15,C23
12	12		1100100-00	D 003 TR= 50NS PIV= 25V GN	1		D1
13	13		1100114-00	D 664 QS\75PCB PIV= 25V SP	2		D4,D9
14	14		1300365-00	1.0 K .25 W 5.0 % CF	1		R22
15	15		1300426-00	2.70 K .25 W 5.0 % CF	3		R35,R42,R44
16	16		1300479-00	10.0 K .25 W 5.0 % CF	1		R23
17	17		1301317-00	10.0 .25 W 5.0 % CF	2		R14,R19
18	18		1301327-00	68.0 K .25 W 5.0 % CF	2		R27,R28
19	19		1301422-00	7.50 K .25 W 5.0 % CF	2		R48,R47
20	20		1301423-00	6.80 K .25 W 5.0 % CF	3		R34,R43,R45
21	21		1302388-00	2.0 K .25 W 5.0 % CF	7		R1-R5,R32,R33
22	22		1302391-00	20.0 K .25 W 5.0 % CF	1		R25
23	23		1305336-00	200.0 K .25 W 1.0 % RN55D-F10	1		R9
24	24		1303155-00	21.50 K .25 W 1.0 % RN55D-F10	2		R12,R13
25	25		1313344-00	75.0 K .25 W 1.0 % RN55D-F10	1		R17
26	26		1305252-00	68.10 K .25 W 1.0 % RN55D-F10	1		R15
27	27		1303044-00	100.0 K .25 W 1.0 % RN55D-F10	1		R6
28	28		1309143-09	*** THIS ITEM IS NOT USED ***	-		
29	29		1309143-13	50.0 K .75 W10.0 % POT	1		R46

REVISION HISTORY			BASIC PART NO: M8923		DRN:	DATE:	DIGITAL			
ENG	ECO NUMBER	REV	SECTION A OF A	SECTION VARIATION INDEX	P.KENDRICH	20-SEP-78	PARTS LIST			
M.F	M8923-ML001	E	[A] 00	[A]	T.QUILLIN	20-SEP-78	READ CONTROL			
RN	M8923-ML002	F	[B]	[B]	J.ROLLINS	20-SEP-78	DOCUMENT NUMBER			
DJ	M8923-ML003	H	[C]	[C]	J.ROLLINS	20-SEP-78	SIZE	CODE	NUMBER	REV
RN	M8923-SH004	J	[D]	[D]	J.ROLLINS	20-SEP-78	K	PL	M8923-0-DBP	J
			[E]	[E]	J.ROLLINS	20-SEP-78				
			[F]	[F]	J.ROLLINS	20-SEP-78				
			[H]	[H]	J.ROLLINS	20-SEP-78				
			[J]	[J]	P.BARTON	20-SEP-78				
			[K]	[K]	P.BARTON	20-SEP-78				
			[L]	[L]	P.BARTON	20-SEP-78				
			[M]	[M]	P.BARTON	20-SEP-78				
			[N]	[N]	P.BARTON	20-SEP-78				
ASSEMBLY NUMBER: D-UA-M8923-0-0					TOP DOCUMENT NUMBER: #B-DD-M8923-0		FILE NAME: Z1482J.PLS		EDIT #: 14	

"THIS DRAWING AND SPECIFICATIONS HEREIN, ARE THE PROPERTY OF DIGITAL EQUIPMENT CORPORATION AND SHALL NOT BE REPRODUCED OR COPIED OR USED IN WHOLE OR IN PART AS THE BASIS FOR THE MANUFACTURE OR SALE OF ITEMS WITHOUT WRITTEN PERMISSION. COPYRIGHT (C) 1983. DIGITAL EQUIPMENT CORPORATION "

AUTOMATED BY PRTLST.2E(3)

PARTS LIST

SHEET A2 OF A3

LINE	ITEM	DOCUMENT NUMBER	PART NUMBER	DESCRIPTION	QTY PER VARIATION 00	REFERENCE DESIGNATOR
30	30		1305420-00	33.20 K .25 W 1.0 * RN55D-F10	1	R18
31	31		1301732-00	620.0 .50 W 5.0 * CF	1	R65
32	32		1305427-00	590.0 K .25 W 1.0 * RN55D-F10	1	R7
33	33		1312985-00	332.0 K .25 W 1.0 * RN55D-F10	1	R8
34	34		1312988-00	49.90 K .25 W 1.0 * RN55D-F10	1	R16
35	35		1503100-00	DEC3009B NPN 200MW SI 20 25	1	Q1
36	36		1909929-00	7417 BUFFER GATE-HEX 1INP	1	E2
37	37		1910298-00	741 OP AMP GEN PURP. COM	2	E17,E18
38	38		1910735-02	318 OP AMP	1	E20
39	39		1912108-00	339 VOLT CMPRTR,QUAD	1	E21
40	40		1912697-00	LS174 FF-D HEX W/CLEAR	1	E1
41	41		1912842-00	LS138 DECODER-THREE INPUT,	1	E6
42	42		2113603-00	4001UBNOR GATE-QUAD 2IN CM	1	E26
43	43		2113607-00	4011UBNAND GATE-QUAD 2IN C	1	E25
44	44		2113609-00	4013B FF-D DUAL W/SET/RESE	1	E3
45	45		2113612-00	4019B AND-OR SELECT GATE-Q	2	E19,E22
46	46		2113613-00	4023UBNAND GATE,TRIPLE,3IN	1	E14
47	47		2113621-00	4041UB BUFFER GATE,QUAD,TR	1	E10
48	48		2113627-00	4049UBINVERTER-HEX BUFFER-	1	E15
49	49		2113629-00	4051B MULTIPLEXER 8CHAN CM	1	E9
50	50		2113632-00	4066B BILATERAL SWITCH-QUA	1	E24
51	51		2113634-00	4070B X-OR GATE-QUAD CMOS	1	E11
52	52		2113638-00	4075B OR GATE-TRIPLE 3IN C	3	E8,E13,E16
53	53		2113644-00	*** THIS ITEM IS NOT USED ***	-	
54	54		1914466-00	3130E OP AMP MOS/FET IN,CM	1	E12
55	55		9006732-00	EYELET,ROLLED 0.1210DX0.219	4	
56	56		9008337-06	HANDLE, FLIP CHIP, MAGENTA	2	
57	57		2113635-00	4071B OR GATE-QUAD 2IN CMO	1	E7
58	58		1302389-00	4.30 K .25 W 5.0 * CF	2	R10,R11
59	59		1304838-00	43.0 K .25 W 5.0 * CF	1	R21
60	60		1001739-00	*** THIS ITEM IS NOT USED ***	-	
61	61		1118180-00	CR 100 POV=100V 1MA	1	D11
62	62		1113295-00	1N 4372A VZ= 3.0 5% .40W	1	D10
63	63		1300250-00	150.0 .25 W 5.0 * CF	2	R51,R52
64	64		1300417-00	2.20 K .25 W 5.0 * CF	2	R54,R56
65	65		1300439-00	3.30 K .25 W 5.0 * CF	4	R57,R58,R60,R61
66	66		1305322-00	7.50 K .25 W 1.0 * RN55D-F10	1	R64
67	67		1312987-00	10.50 K .25 W 1.0 * RN55D-F10	2	R55,R59
68	68		1302092-00	220.0 K .25 W 5.0 * CF	1	R53
69	69		1302091-00	330.0 K .25 W 5.0 * CF	2	R62,R63
70	70		1014169-00	1000.0 MMF 100V 1*200PPM MICA	1	C41
71	71		1000018-00	120.0 MMF 100V 5*200PPM MICA	1	C49
72	72		1000015-00	82.0 MMF 100V 5*200PPM MICA	2	C44,C52
73	73		1001631-00	390.0 MMF 100V 5*200PPM MICA	2	C45,C46
74	74		1010978-36	.1 MFD 50V 10% CER	2	C47,C48
75	75		1000021-00	220.0 MMF 100V 5*200PPM MICA	3	C10,C11,C32
76	76		1309419-00	19.60 K .25 W 1.0 * RN55D-F10	1	R20
77	77		1305265-00	*** THIS ITEM IS NOT USED ***	-	

D	I	G	I	T	A	L	TITLE	SECTION A	OF A	SIZE	CODE	DOCUMENT NUMBER	REV
							READ CONTROL			K	PL	M8923-0-DBP	J

AUTOMATED BY PRTLST.2E(3)

P A R T S L I S T

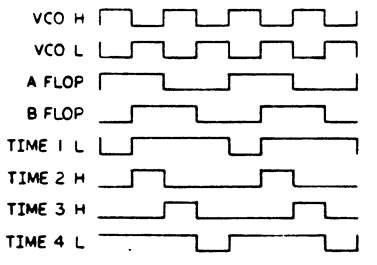
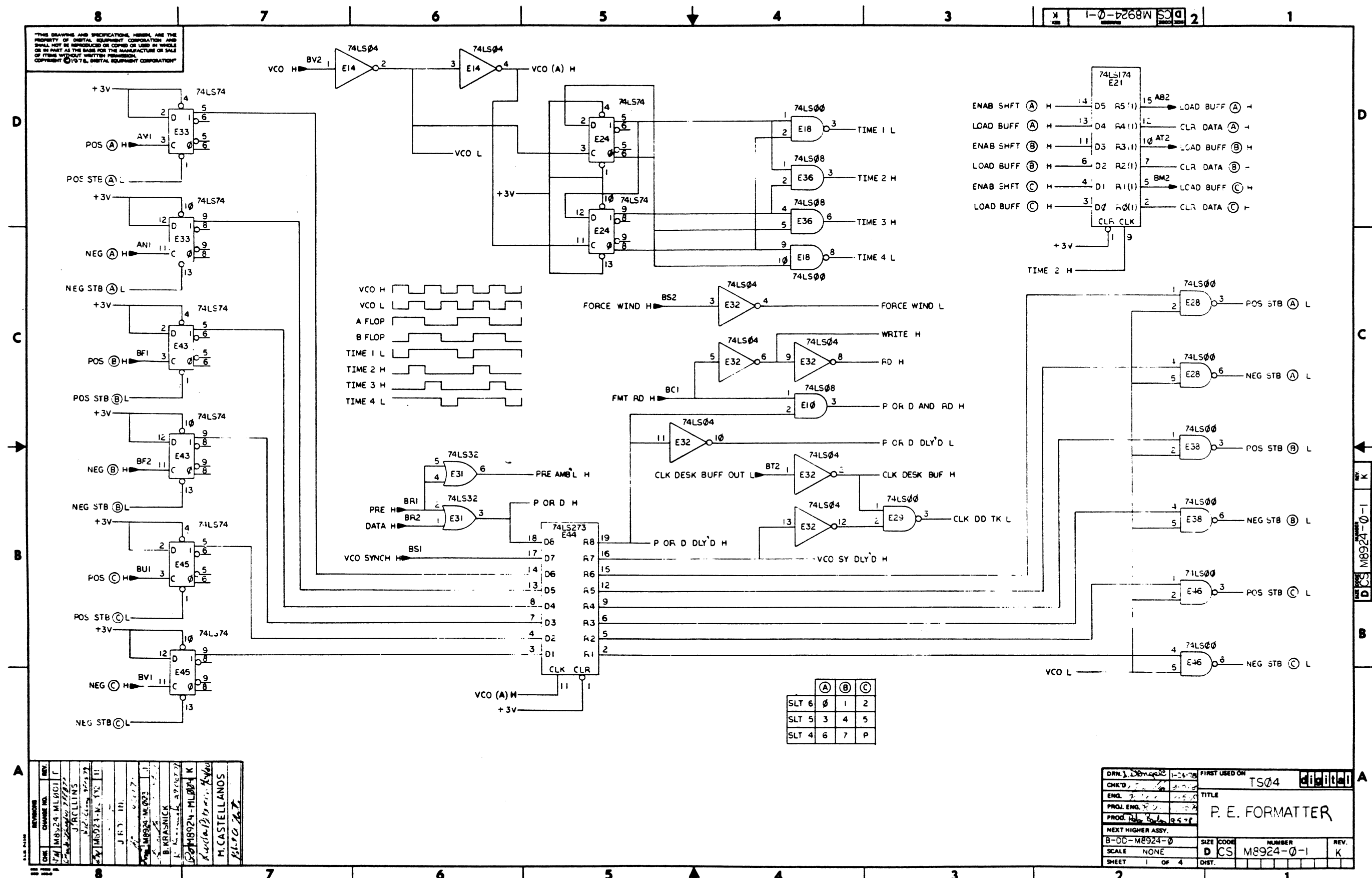
SHEET A3 OF A3

LINE	ITEM	DOCUMENT NUMBER	PART NUMBER	DESCRIPTION	QTY PER VARIATION 00	REFERENCE DESIGNATOR
78	78		1000025-00	560.0 MMF 100V 5*200PPM MICA	1	C38
79	79		1000024-00	470.0 MMF 100V 5*200PPM MICA	1	C31
80	80		2116333-00	4001BE NOR GATE-QUAD 2IN C	1	E23
81	81		1309143-14	100.0 K .75 W10.0 * POT	1	R49

82 NOTE: USED ON:OPTION/MODEL TS04

D	I	G	I	T	A	L	TITLE	SECTION A OF A	SIZE	CODE	DOCUMENT NUMBER	REV
							READ CONTROL		K	PL	M8923-0-DBP	J

THIS DRAWING AND SPECIFICATIONS HEREIN ARE THE PROPERTY OF DIGITAL EQUIPMENT CORPORATION AND SHALL NOT BE REPRODUCED OR COPIED OR USED IN WHOLE OR IN PART AS THE BASIS FOR THE MANUFACTURE OR SALE OF ITEMS WITHOUT WRITTEN PERMISSION. COPYRIGHT © 1976, DIGITAL EQUIPMENT CORPORATION

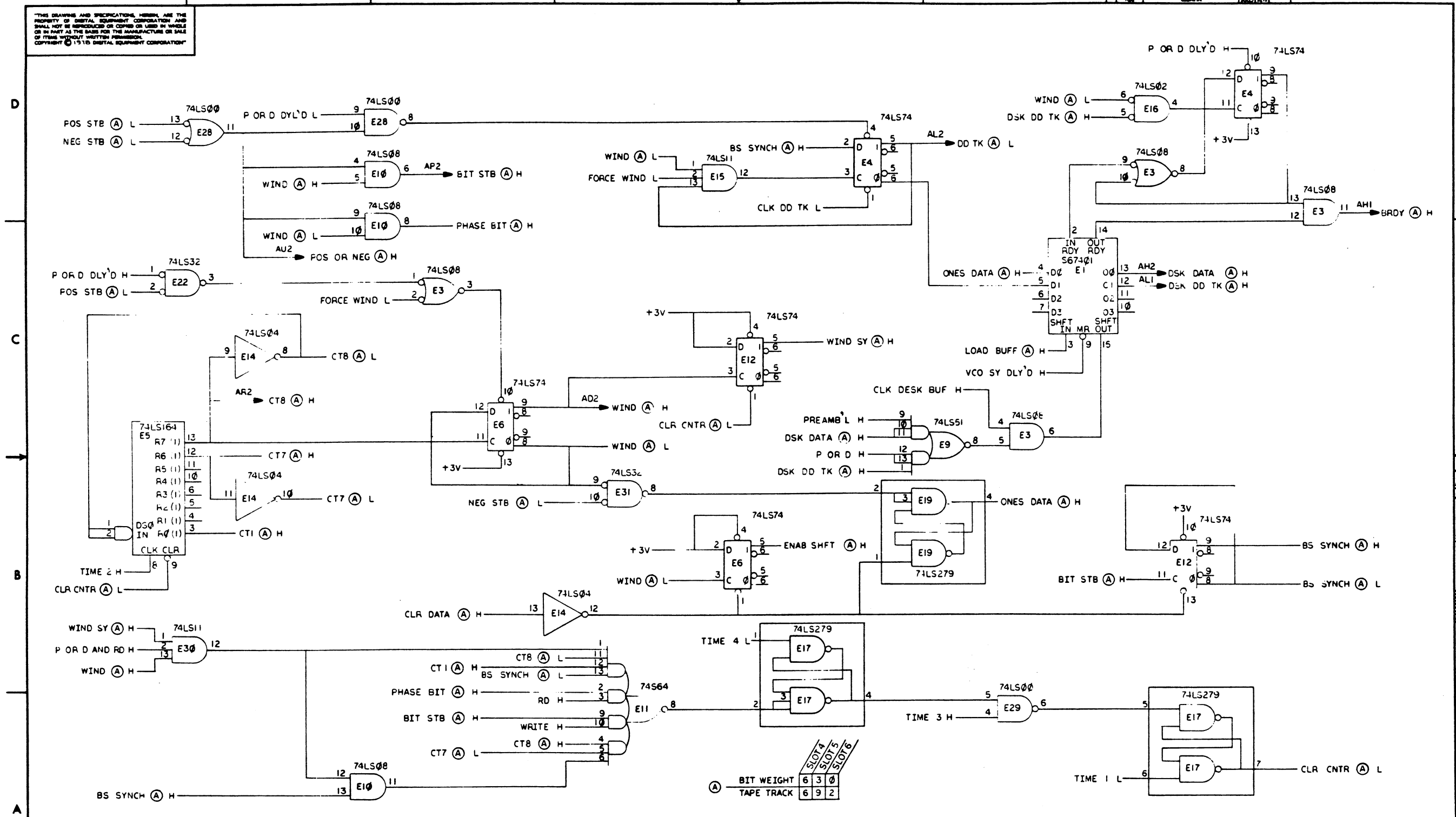


	A	B	C
SLT 6	0	1	2
SLT 5	3	4	5
SLT 4	6	7	P

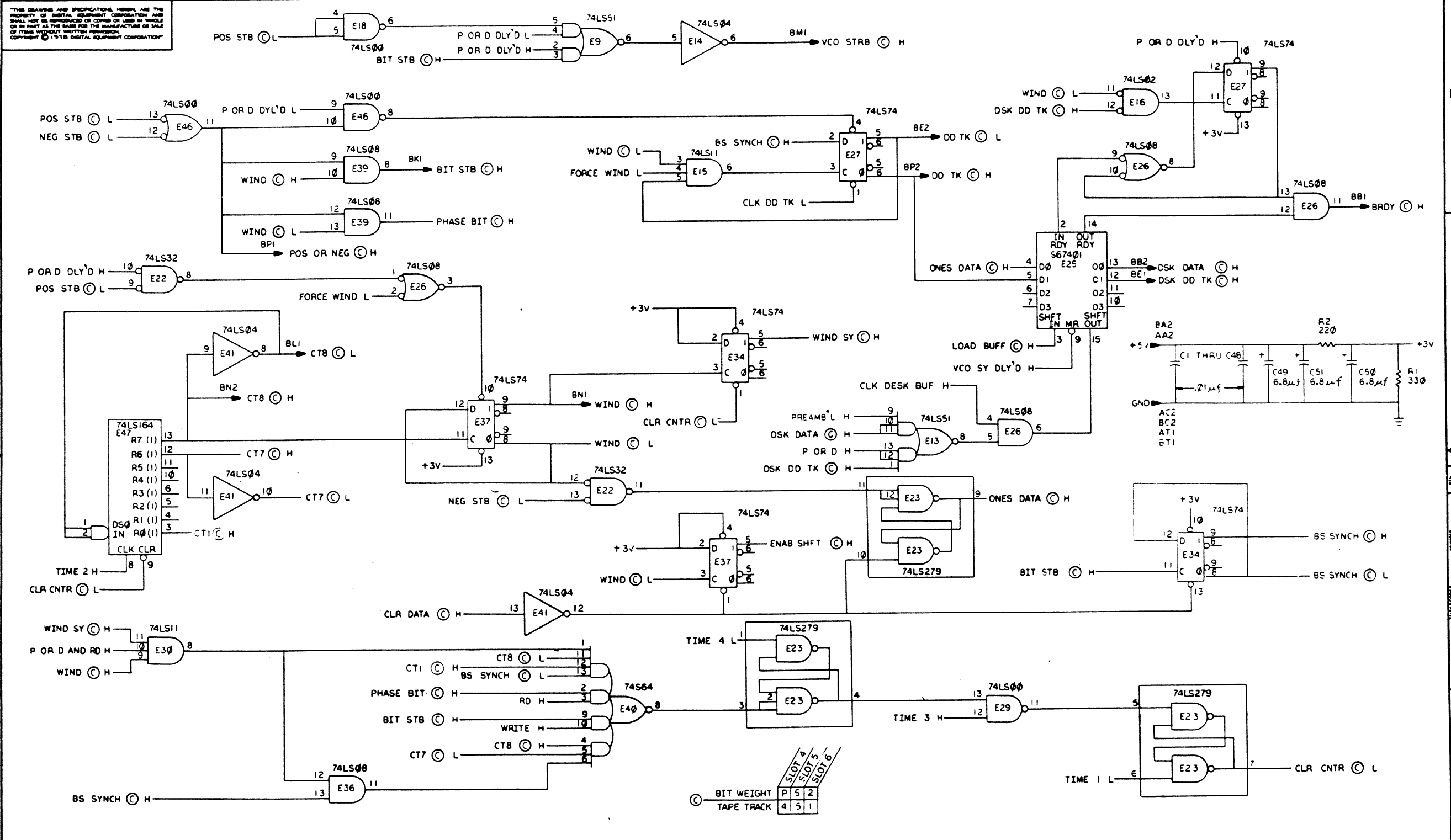
REV	DATE	BY	CHK'D	APP'D
1	11-24-76	J. R. CLIFTON		
2	12-14-76	J. R. CLIFTON		
3	1-14-77	J. R. CLIFTON		
4	1-14-77	J. R. CLIFTON		
5	1-14-77	J. R. CLIFTON		
6	1-14-77	J. R. CLIFTON		
7	1-14-77	J. R. CLIFTON		
8	1-14-77	J. R. CLIFTON		

DRN. J. D. BROWN	11-24-76	FIRST USED ON	TS04
CHK'D		TITLE	P. E. FORMATTER
ENGR.			
PROJ. ENG.			
PROD. ENGR.			
NEXT HIGHER ASSY.			
B-DD-M8924-0	SIZE CODE	NUMBER	REV.
SCALE NONE	D CS	M8924-0-1	K
SHEET 1 OF 4	DST.		

THIS DRAWING AND SPECIFICATIONS HEREIN ARE THE PROPERTY OF DIGITAL EQUIPMENT CORPORATION AND SHALL NOT BE REPRODUCED OR COPIED OR USED IN WHOLE OR IN PART AS THE BASIS FOR THE MANUFACTURE OR SALE OF ITEMS WITHOUT WRITTEN PERMISSION. COPYRIGHT © 1978 DIGITAL EQUIPMENT CORPORATION



REVISIONS		
CHK	CHANGE NO.	REV



LINE	ITEM	DOCUMENT NUMBER	PART NUMBER	DESCRIPTION	QTY	PER VARIATION	REFERENCE DESIGNATOR
					00		
1	1	D-CS-M8924-0-1		CIRCUIT SCHEMATIC		REF	
2	2	D-UA-M8924-0-0		UNIT ASSY		REF	
3	3	B-DD-M8924-0-0		DWG DIRECTORY		REF	
4	4	D-MD-5011956-0-0		DRILL & ETCH DWG		REF	
5	5		5011956-00	M8924	1		
6	6		1001610-00	.01 MFD 50V +80-20% 25U CER	48		C1-C48
7	7		1005306-00	6.8MFD 35V 10% S.TANT	3		C49-C51
8	8		1300271-00	220.0 .25 W 5.0 % CC	1		R2
9	9		1300295-00	330.0 .25 W 5.0 % CC	1		R1
10	10		1910542-00	74S64 A-0-I GATE 4-2-3-2	3		E11,E40,E42
11	11		1912697-00	LS174 FF-D HEX W/CLEAR	1		E21
12	12		1912799-00	LS00 NAND-GATE-QUAD 2IN,P	5		E18,E28,E29,E38,E46
13	13		1912801-00	LS02 NOR-GATE-QUAD 2IN	1		E16
14	14		1912803-00	774LS04 INVERTER GATE, HEX	3		E14,E32,E41
15	15		1912805-00	LS08 AND GATE-QUAD 2IN,PO	6		E2,E3,E10,E26,E36,E39
16	16		1912808-00	LS11 AND GATE-TRIPLE 3IN	2		E15,E30
17	17		1912816-00	LS32 OR GATE-QUAD 2IN,POS	2		E22,E31
18	18		1912820-00	LS51 A-0-I GATE 2-WIDE 2I	2		E9,E13
19	19		1912824-00	LS74 FF-D DUAL,EDGE TRIGG	13		E4,E6,E8,E12,E20,E24,E27, E33-E35,E37,E43,E45
20	20		1912850-00	LS164 SHIFT REG. 8BIT SERI	3	CONT	E5,E47,E48
21	21		1912863-00	LS273 FF-D OCTAL W/CLEAR	1		E44
22	22		1912864-00	LS279 LATCH,QUAD-S-R	3		E17,E19,E23
23	23		1914768-01	FIFO, SLOW (67401)	3		E1,E7,E25
24	24		9006732-00	EYELET, ROLLED FLANGE, .121 OD X	4		
25	25		9008337-06	HANDLE, FLIP CHIP, MAGENTA	2		
26	26		9105740-55	*** THIS ITEM IS NOT USED ***	-		
27	27		1000023-00	330.0 MMF 100V 5%200PPM MICA	6		C52-C57
28	28	D-EC-5011956-0-0		ETCH CUT DRAWING		REF	

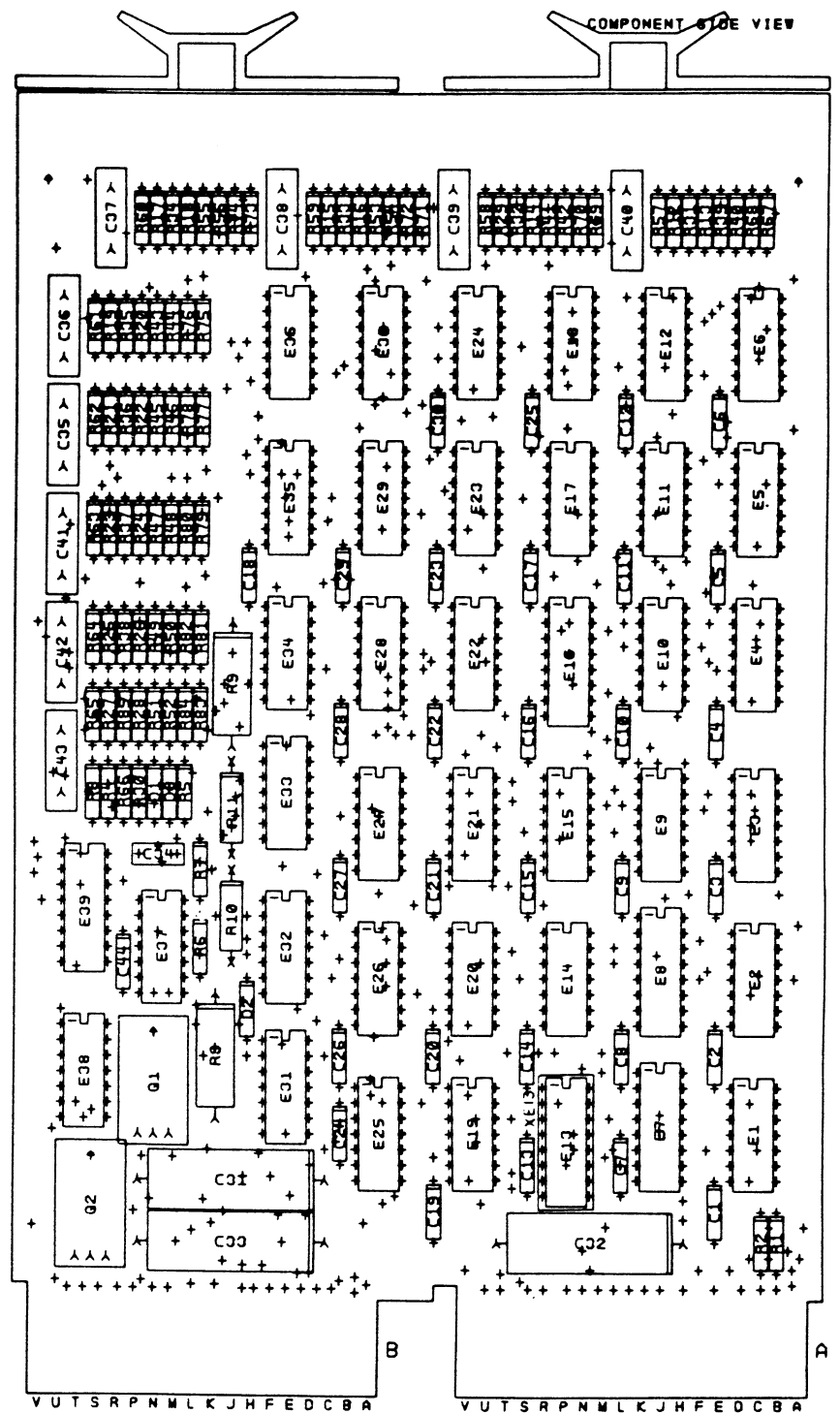
REVISION HISTORY			BASIC PART NO: M8924		DRN: J.ROGERS		DATE: 30-DEC-77		DIGITAL	
ENG	ECO NUMBER	REV	SECTION A	OF A	CHK'D:	H.RICHER	DATE:	13-JUL-78	TITLE	PARTS LIST
---	INIT	E	SECTION.VARIATION INDEX		CHK'D:	H.RICHER	DATE:	13-JUL-78	TITLE	PARTS LIST
J.R	M8924-ML001	F	[A]	00					P.E.FORMATTER	
BK	M8924-ML003	J	[B]							
R.N	M8924-ML004	K	[C]		DES.ENG:	R.CORNEAU	DATE:	13-JUL-78		
			[D]							
			[E]		RESP.ENG.:	R.ODOM	DATE:	13-JUL-78	DOCUMENT NUMBER	
			[F]							
			[G]						SIZE	CODE
			[H]						NUMBER	REV
			[I]		MFG.ENG.:	P.BARTON	DATE:	13-JUL-78	K	PL
			[J]						M8924-0-DBP	K
			[K]		ASSEMBLY NUMBER:		TOP DOCUMENT NUMBER:		FILE NAME:	EDIT #
			[L]		D-UA-M8924-0-0		#B-DD-M8924-0		Z0288K.PLS	22
			[M]							
			[N]							

*THIS DRAWING AND SPECIFICATIONS HEREIN, ARE THE PROPERTY OF DIGITAL EQUIPMENT CORPORATION AND SHALL NOT BE REPRODUCED OR COPIED OR USED IN WHOLE OR IN PART AS THE BASIS FOR THE MANUFACTURE OR SALE OF ITEMS WITHOUT WRITTEN PERMISSION. COPYRIGHT (C) 1981. DIGITAL EQUIPMENT CORPORATION *

THIS DRAWING AND SPECIFICATIONS, HEREIN, ARE THE PROPERTY OF DIGITAL EQUIPMENT CORPORATION AND WILL NOT BE REPRODUCED OR TRANSMITTED IN ANY FORM OR BY ANY MEANS, ELECTRONIC OR MECHANICAL, INCLUDING PHOTOCOPYING, RECORDING, OR BY ANY INFORMATION STORAGE AND RETRIEVAL SYSTEM, WITHOUT THE WRITTEN PERMISSION OF DIGITAL EQUIPMENT CORPORATION.
 © 1979 DIGITAL EQUIPMENT CORPORATION

DUA M8929-0-0 2

COMPONENT SIDE VIEW



D
C
B
A

D
C
B
A



NOTES:

STEP 1	+ Y AXIS	2	STEP 2	TIMES
REPEAT	+ X AXIS	2.250	STEP 1	TIMES

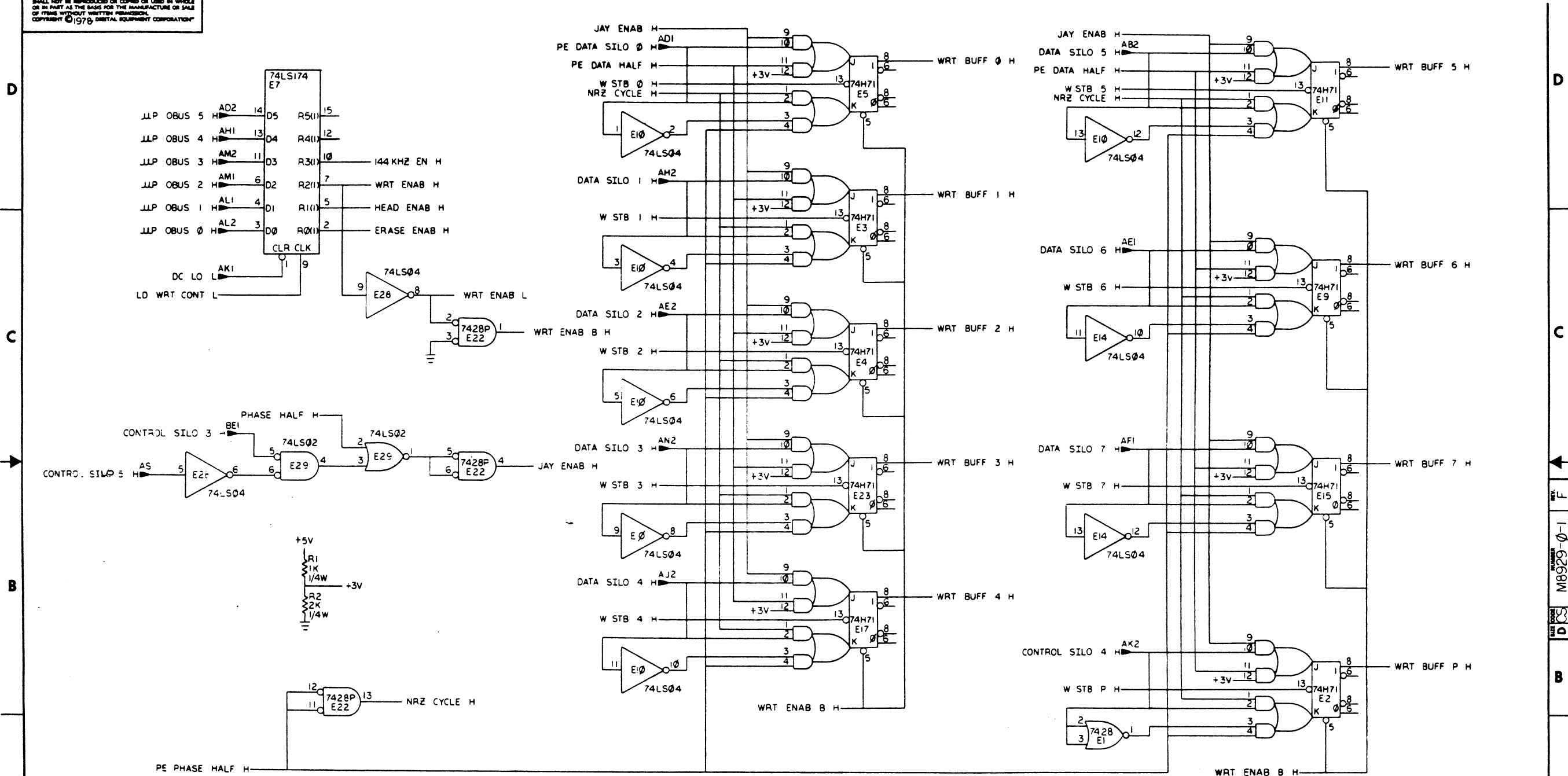
CHANGE NO	REV	
REVISION	DESCRIPTION	
M1004		

ETCH REV. D

SIGNATURES		DATE	digital
DRN. J. RICHARD		5-31-78	
CHK D.		6-1-78	TITLE
RECH. ENG. R. CANON		10-2-78	
PROJ. ENG. R. CANON		10-2-78	WRITE CONTROL
SCALE 2/1	SIZE CODE	NUMBER	REV
SHT. 1 OF 3	D UA	M8929-0-0	F
NEXT HIGHER ASSY. B-DD-M8929-0			

8 7 6 5 4 3 2 1 MS#

THIS DRAWING AND SPECIFICATIONS HEREIN ARE THE PROPERTY OF DIGITAL EQUIPMENT CORPORATION AND SHALL NOT BE REPRODUCED OR COPIED OR USED IN WHOLE OR IN PART AS THE BASIS FOR THE MANUFACTURE OR SALE OF ITEMS WITHOUT WRITTEN PERMISSION. COPYRIGHT © 1978 DIGITAL EQUIPMENT CORPORATION

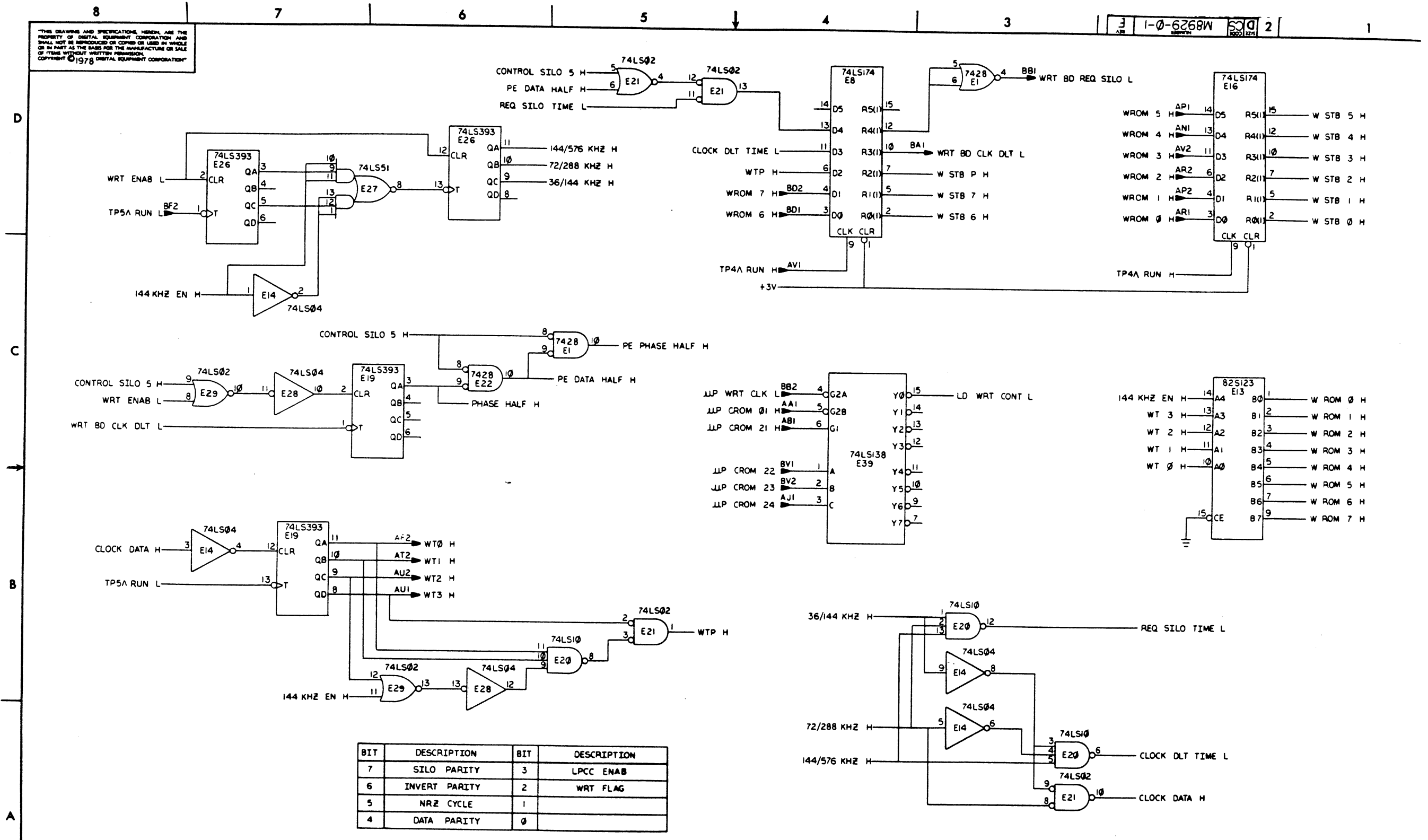


REV	CHG	BY	DATE	DESCRIPTION
1				
2				
3				
4				
5				
6				
7				
8				

DRW: <i>[Signature]</i>	FIRST USED ON: TS04	DIGITAL
CHK: <i>[Signature]</i>	DATE: 4-17-78	
ENG: <i>[Signature]</i>	TITLE: WRITE CONTROL	
PRD: <i>[Signature]</i>	DATE: 4-27-78	
PROD. PLAN: <i>[Signature]</i>	DATE: 4-7-78	
NEXT HIGHER ASSY:		
SCALE: 1	SIZE: D	CODE: CS
SHEET: 1	OF: 5	DIST.

THIS DRAWING AND SPECIFICATIONS HEREIN ARE THE PROPERTY OF DIGITAL EQUIPMENT CORPORATION AND SHALL NOT BE REPRODUCED OR COPIED OR USED IN WHOLE OR IN PART AS THE BASIS FOR THE MANUFACTURE OR SALE OF ITEMS WITHOUT WRITTEN PERMISSION. COPYRIGHT © 1978 DIGITAL EQUIPMENT CORPORATION

1-0-6268W DCS 2

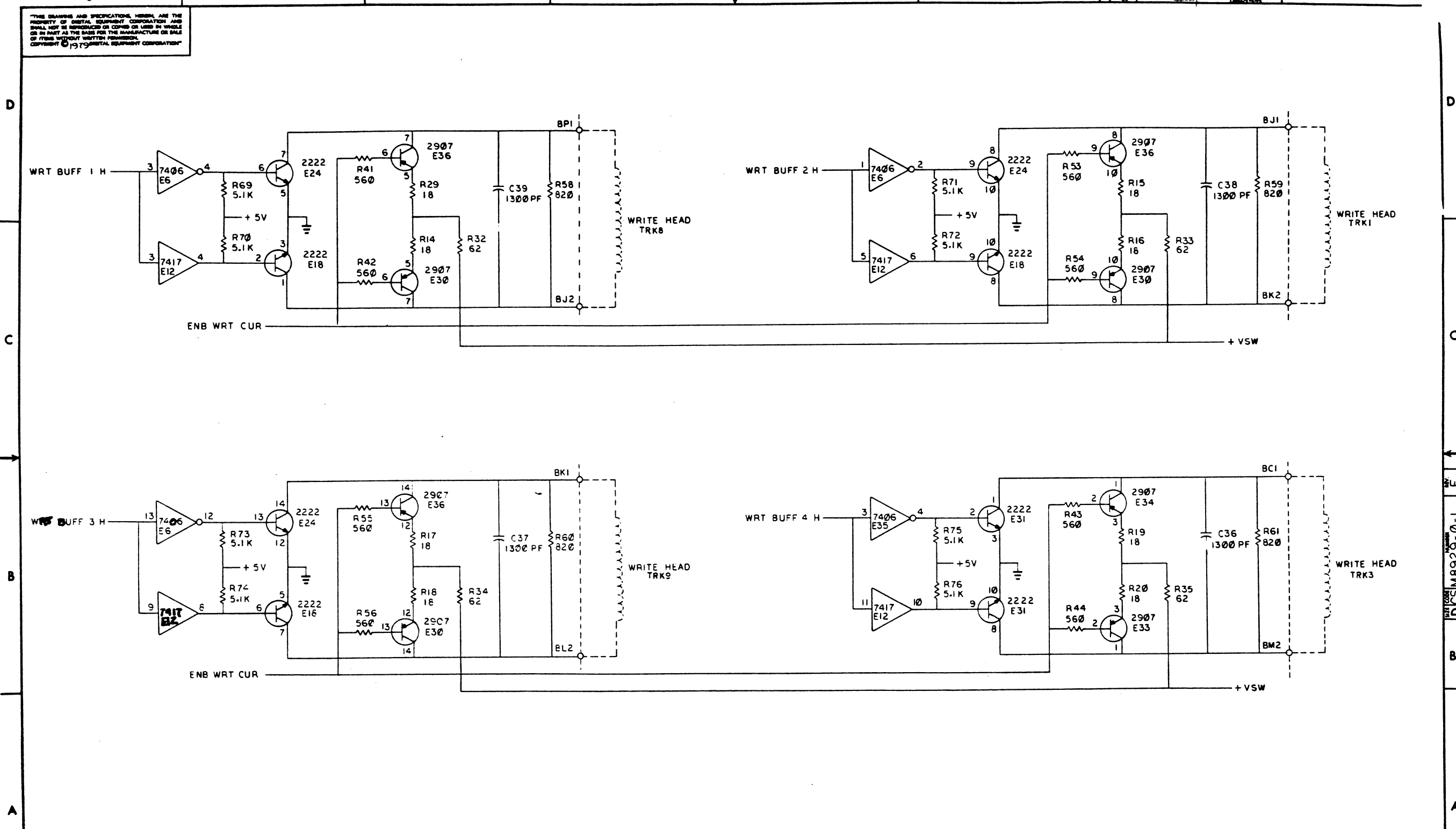


BIT	DESCRIPTION	BIT	DESCRIPTION
7	SILO PARITY	3	LPCC ENAB
6	INVERT PARITY	2	WRT FLAG
5	NRZ CYCLE	1	
4	DATA PARITY	0	

REVISIONS		
CHK	CHANGE NO.	REV.

PART LOCK DCS M8929-0-1 REV F

THIS DRAWING AND SPECIFICATIONS HEREON ARE THE PROPERTY OF DIGITAL EQUIPMENT CORPORATION AND SHALL NOT BE REPRODUCED OR COPIED OR USED IN WHOLE OR IN PART AS THE BASIS FOR THE MANUFACTURE OR SALE OF ITEMS WITHOUT WRITTEN PERMISSION. COPYRIGHT © 1975 DIGITAL EQUIPMENT CORPORATION

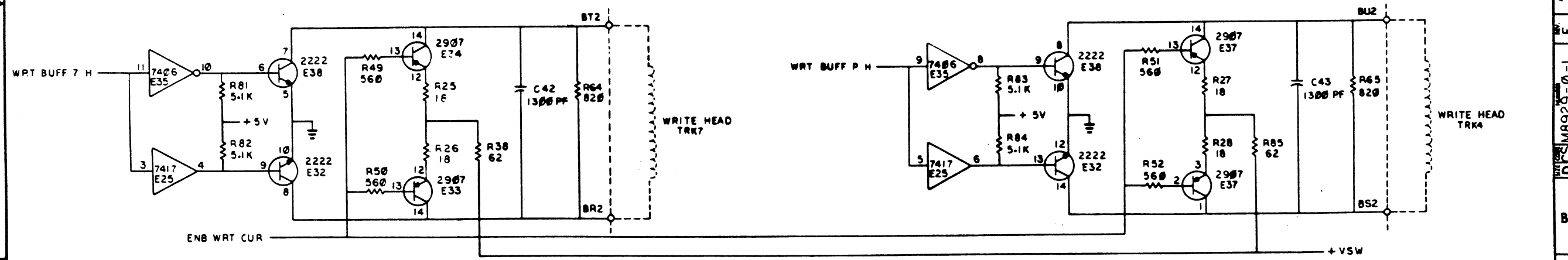
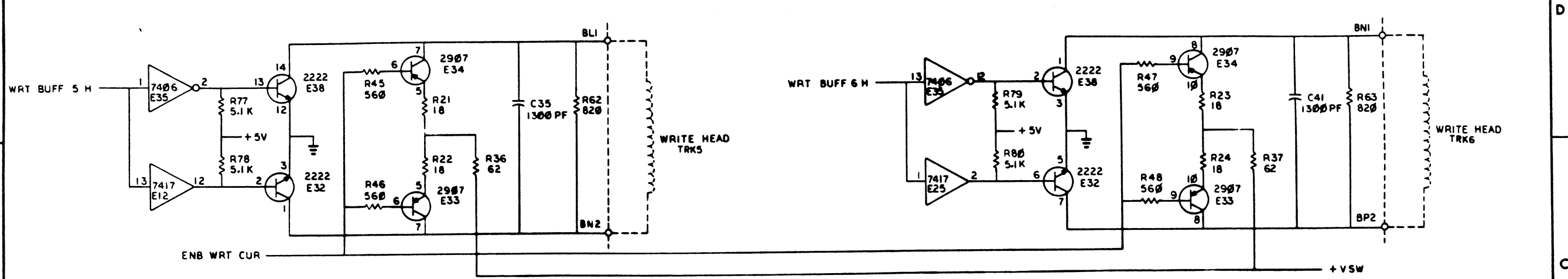


REVISIONS		
CHK	CHANGE NO.	REV.

TITLE	WRITE CONTROL	SIZE CODE	DCS M8929-0-1	NUMBER	F	REV.	F
SCALE	1:1	SHEET	3 OF 5	DIST.			

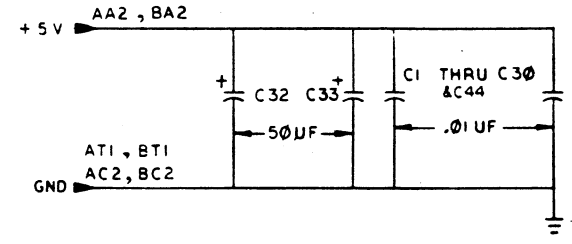
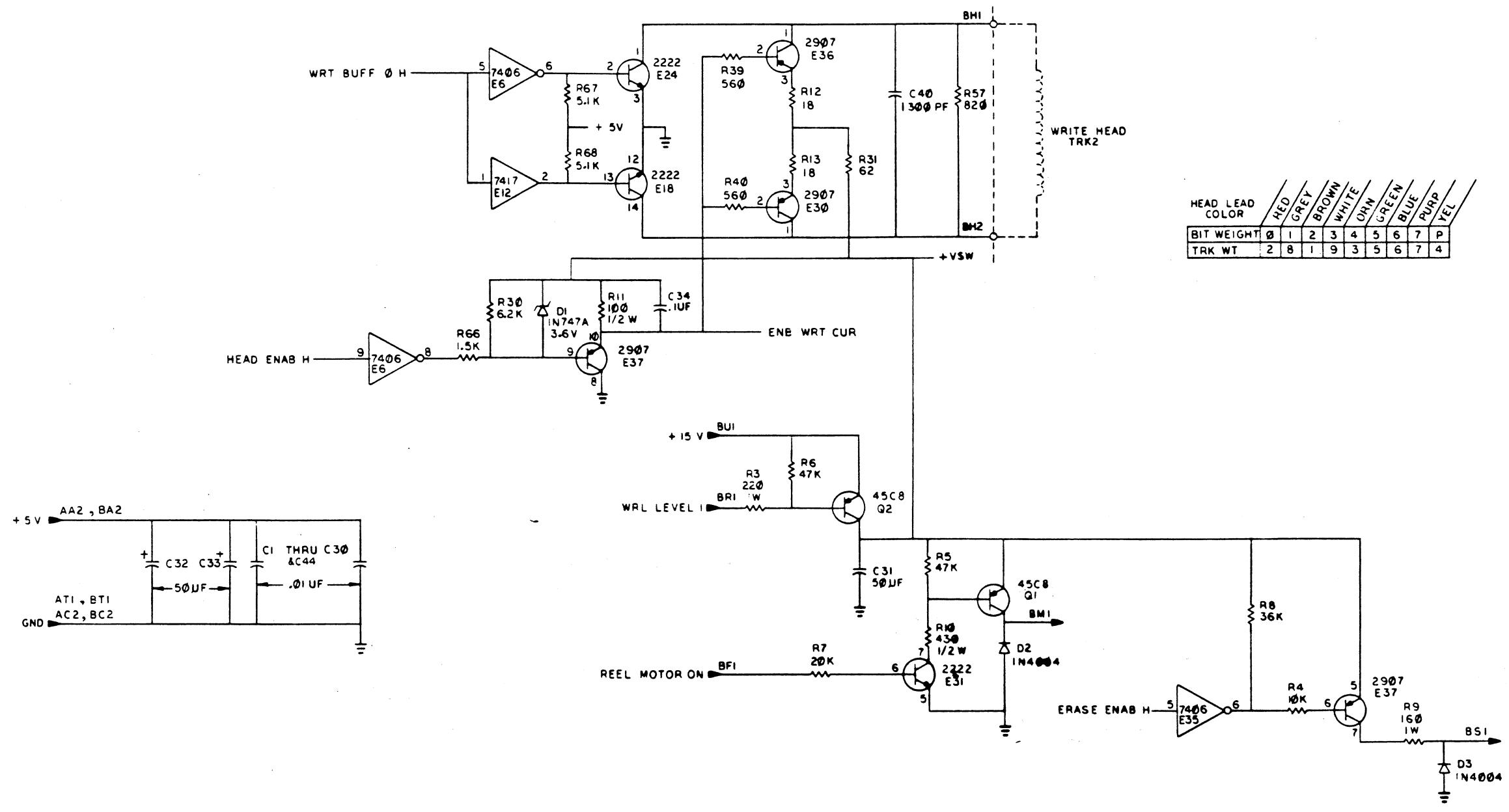
DCS M8929-0-1 F

THE DRAWING AND SPECIFICATIONS HEREIN ARE THE PROPERTY OF DIGITAL EQUIPMENT CORPORATION AND SHALL NOT BE REPRODUCED OR COPIED OR USED IN WHOLE OR IN PART AS THE BASIS FOR THE MANUFACTURE OR SALE OF ITEMS WITHOUT WRITTEN PERMISSION. COPYRIGHT © 1979 DIGITAL EQUIPMENT CORPORATION



REVISIONS		
CHK	CHANGE NO.	REV.

THIS DRAWING AND SPECIFICATIONS HEREIN ARE THE PROPERTY OF DIGITAL EQUIPMENT CORPORATION AND SHALL NOT BE REPRODUCED OR COPIED OR USED IN WHOLE OR IN PART AS THE BASIS FOR THE MANUFACTURE OR SALE OF ITEMS WITHOUT WRITTEN PERMISSION. COPYRIGHT © 1979 DIGITAL EQUIPMENT CORPORATION



REVISIONS		
CHK	CHANGE NO.	REV.

AUTOMATED BY PRTLST.1D(7)

PARTS LIST

SHEET A1 OF A2

LINE	ITEM	DOCUMENT NUMBER	PART NUMBER	DESCRIPTION	QTY	PER VARIATION	REFERENCE DESIGNATOR
1	1	D-CS-M8929-0-1		CIRCUIT SCHEMATIC			REF
2	2	D-UA-M8929-0-0		UNIT ASSY			REF
3	3	B-DD-M8929-0-0		DWG DIRECTORY			REF
4	4	D-MD-5012937-0-0		DRILL & ETCH DWG			REF
5	5		5012937-00	M8929	1		
6	6		1000061-00	*** THIS ITEM IS NOT USED ***			
7	7		1000080-00	50 MFD 50V +75-10% AL EL	3		C31-C33
8	8		1001610-00	.01 MFD 50V +80-20% 25U CER	31		C1-C30,C44
9	9		1001739-00	*** THIS ITEM IS NOT USED ***			
10	10		1005306-00	*** THIS ITEM IS NOT USED ***			
11	11		1100124-00	*** THIS ITEM IS NOT USED ***			
12	12		1101938-00	*** THIS ITEM IS NOT USED ***			
13	13		1109991-01	*** THIS ITEM IS NOT USED ***			
14	14		1105796-00	1N 4004 PIV=400 I= 1A D041 SP	2		D2,D3
15	15		1211813-02	SOCKET 16PIN IC LOW PROFILE.	1		XE13
16	16		1300229-00	*** THIS ITEM IS NOT USED ***			
17	17		1300277-00	220.0 1.0 W10.0 % CC	1		R3
18	18		1300365-00	1.0 K .25 W 5.0 % CC	1		R1
19	19		1300479-00	10.0 K .25 W 5.0 % CC	1		R4
20	20		1301322-00	*** THIS ITEM IS NOT USED ***			
21	21		1301401-00	*** THIS ITEM IS NOT USED ***			
22	22		1302177-00	47.0 K .25 W 5.0 % CC	2		R5,R6
23	23		1302388-00	2.0 K .25 W 5.0 % CC	1		R2
24	24		1302391-00	20.0 K .25 W 5.0 % CC	1		R7
25	25		1302466-00	*** THIS ITEM IS NOT USED ***			
26	26		1302602-00	*** THIS ITEM IS NOT USED ***			
27	27		1312932-00	36.0 K .25 W 5.0 % CC	1		R8
28	28		1314953-00	160.0 1.0 W 5.0 % CC	1		R9
29	29		1314954-00	430.0 .50 W 5.0 % CC	1		R10
30	30		1510421-00	*** THIS ITEM IS NOT USED ***			

REVISION HISTORY		BASIC PART NO: M8929		DRN: H.WEINBRENNER		DATE: 02-FEB-78		D I G I T A L	
ENG:	ECO NUMBER	REV	SECTION A OF A	CHK'D:	R.ODOH	DATE:	02-FEB-78	TITLE PARTS LIST	
---	INIT	B	SECTION VARIATION INDEX	DES.ENG: H.FINDEISEN		DATE:	04-APR-78	WRITE CONTROL	
BHF	MLO01	C	[A] 00	RESP.ENG.: H.FINDEISEN		DATE:	04-APR-78	DOCUMENT NUMBER	
R.C	M8929-MLO02	D	[B]	MFG.ENG.: P.BARTON		DATE:	04-APR-78	K	PL
P.K	M8929-MLO03	E	[C]	ASSEMBLY NUMBER:		TOP DOCUMENT NUMBER:	B-DD-M8929-0-0	FILE NAME: 20214F.PLS	
R.C	M8929-MLO04	F	[D]	D-UA-M8929-0-0		B-DD-M8929-0-0		REV 21	
			[E]	"THIS DRAWING AND SPECIFICATIONS HEREIN, ARE THE PROPERTY OF DIGITAL EQUIPMENT CORPORATION AND SHALL NOT BE REPRODUCED OR COPIED OR USED IN WHOLE OR IN PART AS THE BASIS FOR THE MANUFACTURE OR SALE OF ITEMS WITHOUT WRITTEN PERMISSION. COPYRIGHT (C) 1981. DIGITAL EQUIPMENT CORPORATION"					
			[F]						
			[G]						
			[H]						
			[I]						
			[J]						
			[K]						
			[L]						
			[M]						
			[N]						

LINE	ITEM	DOCUMENT NUMBER	PART NUMBER	DESCRIPTION	QTY PER VARIATION	REFERENCE DESIGNATOR
					00	
31	31		1510598-00	DEC45C8 PNP 27WT SI 60 20 Y	2	Q1, Q2
32	32		1514961-00	TPQ2222 NPN 500MW SI 40 100	5	E24, E18, E38, E32, E31
33	33		1514962-00	TPQ2907 PNP 500MW SI 40 100	5	E37, E36, E30, E34, E33
34	34		1909067-00	74H71 FF-JK MASTER SLAVE 2	9	E2-E5, E9, E11, E15, E17, E23
35	35		1910741-00	7406 INVERTER GATE-HEX 11	2	E6, E35
36	36		1912697-00	LS174 FF-D HEX W/CLEAR	3	E7, E8, E16
37	37		1912801-00	LS02 NOR-GATE-QUAD 2IN	2	E21, E29
38	38		1912803-00	74LS04 INVERTER GATE, HEX	3	E10, E14, E28
39	39		1912807-00	LS10 NAND GATE-TRIPLE 3IN	1	E20
40	40		1912820-00	LS51 A-0-I GATE 2-WIDE 2I	1	E27
41	41		1912842-00	LS138 DECODER-THREE INPUT	1	E39
42	42		1913312-00	7428P NOR GATE-QUAD 2IN POS	2	E1, E22
43	43		1914451-00	74LS393 COUNTER, BINARY, 4BIT	2	E19, E26
44	44		1914466-00	*** THIS ITEM IS NOT USED ***	1	
45	45		2113646-00	*** THIS ITEM IS NOT USED ***	1	
46	46		9006732-00	EYELET, ROLL FLANGE .1210DX .219	4	
47	47		9008337-06	HANDLE, FLIP CHIP, MAGENTA	2	
48	48		23251A1-00	A1-07	1	E13
49	49		1909929-00	7417 BUFFER GATE-HEX 1INP	2	E12, E25
50	50		1110672-00	1N 747A VZ= 3.6 5%	1	D1
51	51		1300228-00	100.0 .50 W 5.0 % CC	1	R11
52	52		1302124-00	18.0 .25 W 5.0 % CC	18	R12-R29
53	53		1312929-00	62.0 .25 W 5.0 % CC	9	R31-R38, R85
54	54		1301890-00	560.0 .25 W 5.0 % CC	18	R39-R56
55	55		1301775-00	820.0 .25 W 5.0 % CC	9	R57-R65
56	56		1300391-00	1.50 K .25 W 5.0 % CC	1	R66
57	57		1312930-00	5.10 K .25 W 5.0 % CC	18	R67-R84
58	58		1312931-00	6.20 K .25 W 5.0 % CC	1	R30
59	59		1010978-36	.1 MFD 50V 10% CER	1	C34
60	60		1001633-00	1300.0 MMF 100V 5%200PPM MICA	9	C35-C43
61	61		9008301-01	SCREW, PAN, PHIL 4-40X 1/4 SS	2	
62	62		9006557-00	NUT, KEP 4-40X 1/4 AF	2	

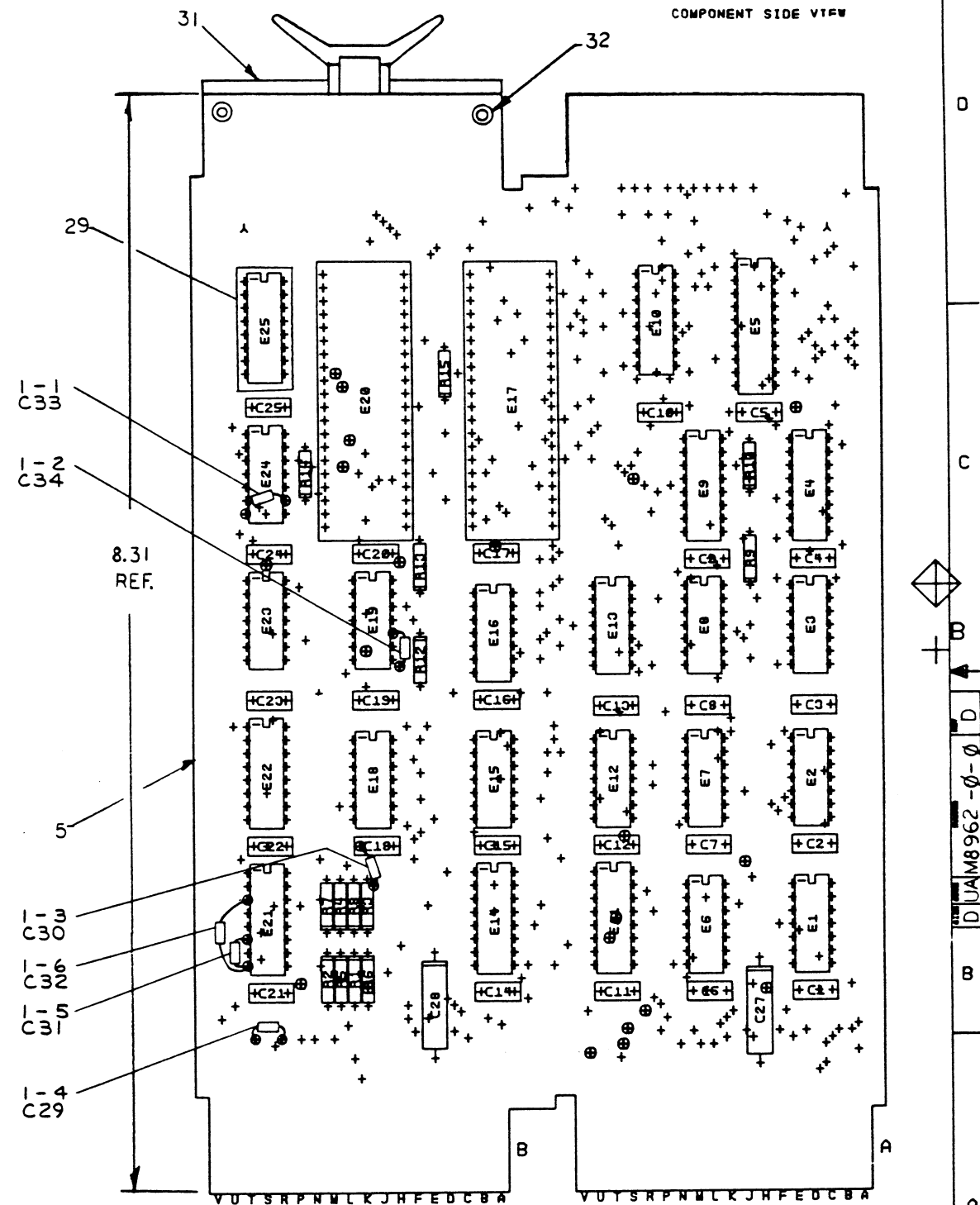
D	I	G	I	T	A	L	TITLE	SECTION A OF A	SIZE	CODE	DOCUMENT NUMBER	REV
							WRITE CONTROL		K	PL	M8929-0-DBP	F

THIS DRAWING AND INFORMATION HEREON ARE THE PROPERTY OF ANALOG DEVICES CORPORATION AND SHALL NOT BE REPRODUCED OR TRANSMITTED IN ANY FORM OR BY ANY MEANS, ELECTRONIC OR MECHANICAL, INCLUDING PHOTOCOPYING, RECORDING, OR BY ANY INFORMATION STORAGE AND RETRIEVAL SYSTEM.

REWORK INSTRUCTIONS:

ECO #1

- COMPONENT ADDS SIDE 1:
- 1-1 ADD CAPACITOR 100 PF FROM E24-9 TO E24-7
 - 1-2 ADD CAPACITOR 100 PF FROM E19-10 TO GND ETCH NEAR E19-8
 - 1-3 ADD CAPACITOR 100 PF FROM FEEDTHRU NEAR R3 TO GND END OF C18
 - 1-4 ADD CAPACITOR 100 PF FROM BT1 TO BR1 AT FEEDTHRU APPROX. 3/4" ABOVE GOLD FINGERS
 - 1-5 ADD CAPACITOR 100 PF FROM E21-6 TO E21-8
 - 1-6 ADD CAPACITOR 100 PF FROM E21-3 TO E21-8 (USE SLEEVING)



NOTES:

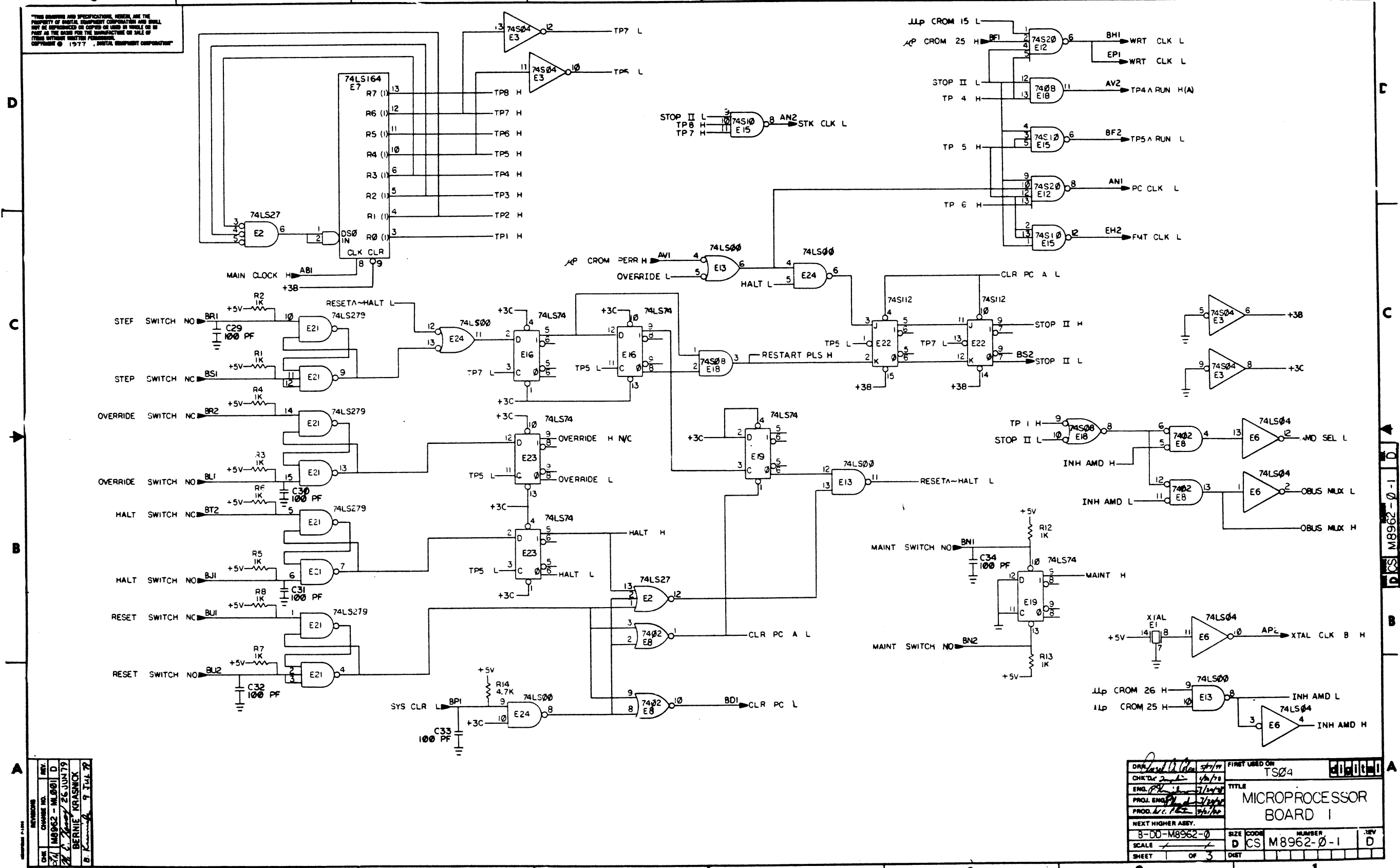
CHECK NO	REV	DATE	BY
27	D	2/19/77	B. KRASNICK
28	D	2/27/77	B. KRASNICK

ETCH REV. D
P.C. DESIGN ORTH BRSE REV. M8962X DL

SIGNATURES	DATE	digital
DRN. P. D. ...	2-5-77	
CHK'D. ...	2-5-77	TITLE MICRO-
ENG. ...	2/19/77	PROCESSOR BOARD ONE
PROJ. ENG. ...	2/19/77	SIZE CODE NUMBER REV
PROD. ...	2/19/77	D UAM8962-0-0 D
SCALE 2/1		
SHT. 1 OF 5		
NEXT HIGHER ASSY. B-DD-M8962-0-0		

THIS DRAWING AND SPECIFICATIONS HEREIN ARE THE PROPERTY OF DIGITAL EQUIPMENT CORPORATION AND SHALL NOT BE REPRODUCED OR COPIED OR USED IN WHOLE OR IN PART AS THE BASIS FOR THE MANUFACTURE OR SALE OF ITEMS WITHOUT WRITTEN PERMISSION. COPYRIGHT © 1977, DIGITAL EQUIPMENT CORPORATION

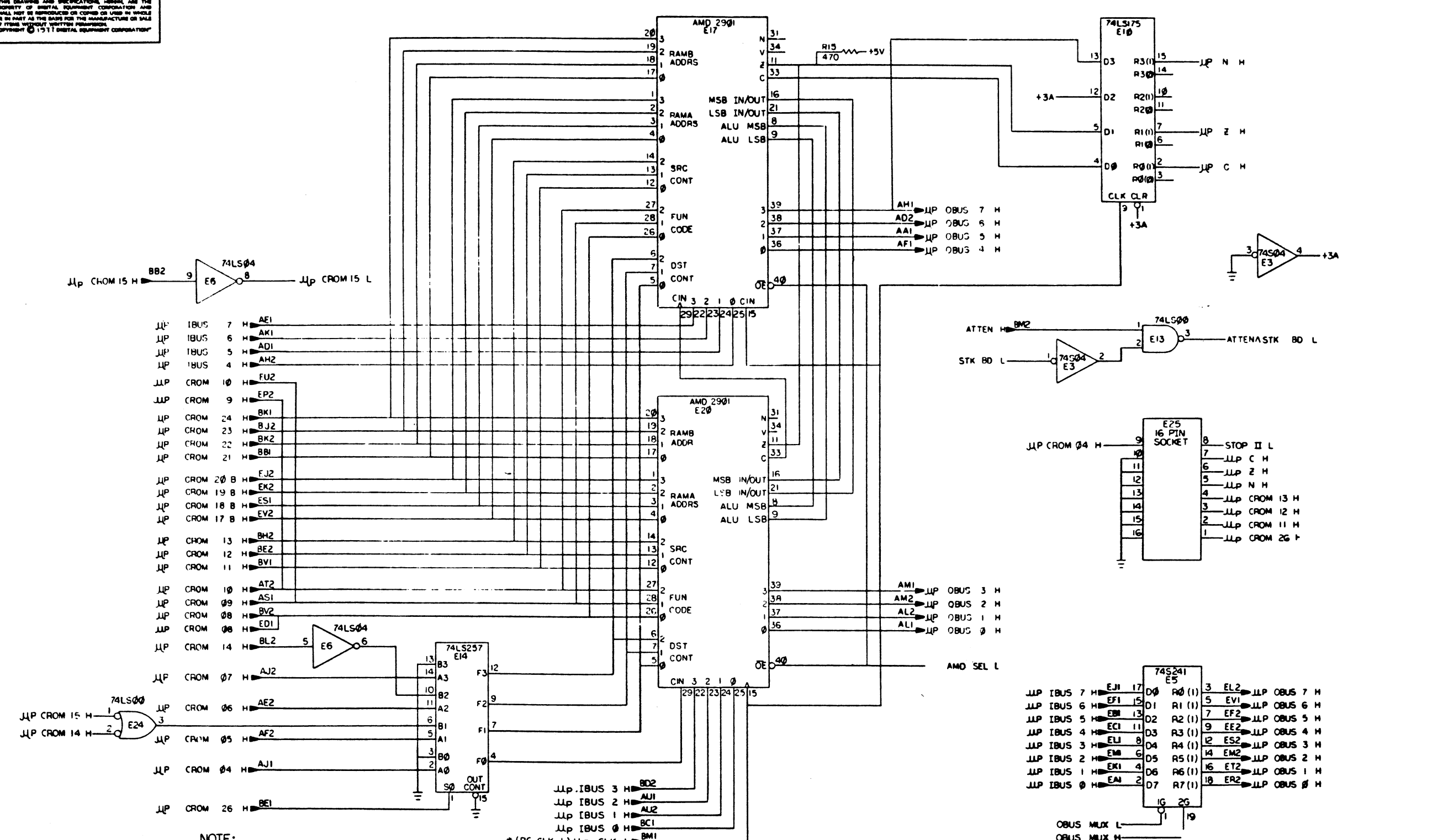
1-0-2968W SQ 2



REV.	REV.
1	1
2	2
3	3
4	4
5	5
6	6
7	7
8	8
9	9
10	10
11	11
12	12
13	13
14	14
15	15
16	16
17	17
18	18
19	19
20	20

DRW. <i>[Signature]</i>	FIRST USED ON	TS04
CHK'D <i>[Signature]</i>	DATE	1/10/77
ENG. <i>[Signature]</i>	TITLE	MICROPROCESSOR BOARD 1
PROJ. ENG. <i>[Signature]</i>	SIZE	D
PROD. <i>[Signature]</i>	CODE	CS
NEXT HIGHER ASSY.	NUMBER	M8962-0-1
B-DD-M8962-0	SCALE	D
SCALE	SHEET	OF 3
	DIST	

THIS DRAWING AND SPECIFICATIONS HEREIN ARE THE PROPERTY OF DIGITAL EQUIPMENT CORPORATION AND SHALL NOT BE REPRODUCED OR COPIED OR USED IN WHOLE OR IN PART AS THE BASIS FOR THE MANUFACTURE OR SALE OF ITEMS WITHOUT WRITTEN PERMISSION. COPYRIGHT © 1977 DIGITAL EQUIPMENT CORPORATION

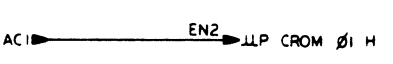
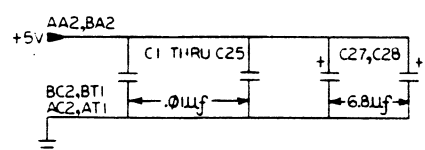
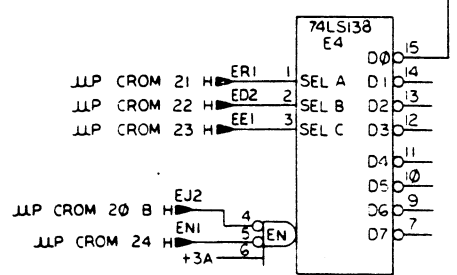
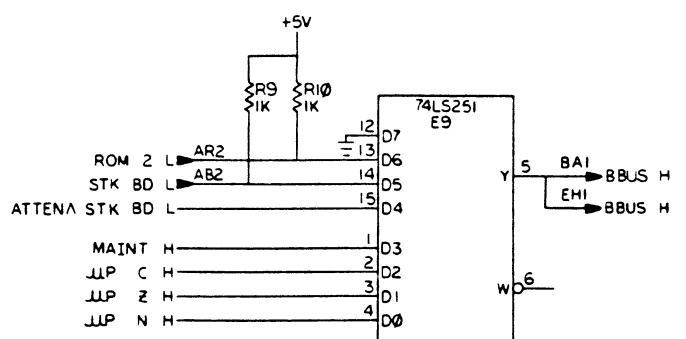


NOTE:
 * PC CLK L WIRED TO JLP CLK L ON BACK PANEL.
 * (PC CLK L) JLP CLK L

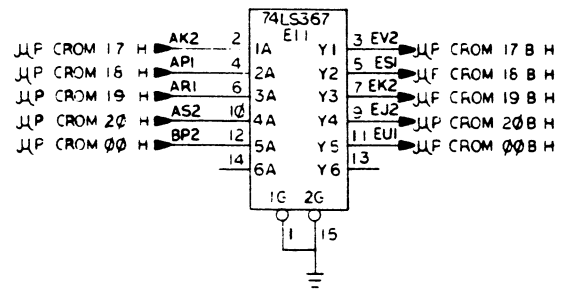
REVISIONS		
CHK	CHANGE NO.	REV.

DCS M8962-0-1 D

THIS DRAWING AND SPECIFICATIONS HEREIN ARE THE PROPERTY OF DIGITAL EQUIPMENT CORPORATION AND SHALL NOT BE REPRODUCED OR COPIED OR USED IN WHOLE OR IN PART AS THE BASIS FOR THE MANUFACTURE OR SALE OF ITEMS WITHOUT WRITTEN PERMISSION. COPYRIGHT © 1977 DIGITAL EQUIPMENT CORPORATION



OVER TOP CONNECTOR	
SIGNAL	PIN
JLP CROM 00 B H	EU1
JLP CROM 01 H (AC1)	EN2
JLP CROM 17 B H	EV2
JLP CROM 18 B H	ES1
JLP CROM 19 B H	EK2
JLP CROM 20 B H	EJ2
JLP CROM 21 H	ER1
JLP CROM 22 H	ED2
JLP CROM 23 H	EE1
JLP CROM 24 H	EN1
JLP OBUS 0 H	ER2
JLP OBUS 1 H	ET2
JLP OBUS 2 H	EM2
JLP OBUS 3 H	ES2
JLP OBUS 4 H	EE2
JLP OBUS 6 H	EVI
JLP OBUS 7 H	EL2
JLP IBUS 0 H	EAI
JLP IBUS 1 H	EK1
JLP IBUS 2 H	EMI
JLP IBUS 3 H	EL1
JLP IBUS 4 H	EC1
JLP IBUS 5 H	EB1
JLP IBUS 6 H	EF1
JLP IBUS 7 H	EJ1
BBUS H	EHI
FMT CLK L	EH2
WRT CLK L	EPI
JLP OBUS 5 H	EF2
JLP CROM 8 H	ED1
JLP CROM 9 H	EP2
JLP CROM 10 H	EU2



REVISIONS		
CHK	CHANGE NO.	REV.

M8962-0-1 DCS

LINE	ITEM	DOCUMENT NUMBER	PART NUMBER	DESCRIPTION	QTY	PER VARIATION	REFERENCE DESIGNATOR
					00		
1		D-CS-M8962-0-1		CIRCUIT SCHEMATIC			REF
2		D-UA-M8962-0-0		UNIT ASSY			REF
3		B-DD-M8962-0-0		DWG DIRECTORY			REF
4		D-MD-5012863-0-0		DRILL & ETCH DWG			REF
5			5012863-00	M8962	1		
6			1001610-00	.01 MFD 50V +80-20% 25U CER	25		C1-C25
7			1005306-00	6.8MFD 35V 10% S.TANT	2		C27,C28
8			1300316-00	470.0 .25 W 5.0 % CC	1		R15
9			1300365-00	1.0 K .25 W 5.0 % CC	12		R1-R10,R12,R13
10			1300447-00	4.70 K .25 W 5.0 % CC	1		R14
11			1913471-00	LS367 DRIVER,BUS,HEX,TRI-	1		E11
12			1912850-00	LS164 SHIFT REG. 8BIT SERI	1		E7
13			1910534-00	74504 INVERTER GATE-HEX II	1		E3
14			1910539-00	74520 NAND GATE-DUAL 4INPU	1		E12
15			1910545-00	745112 FF-JK DUAL,EDGE TRIG	1		E22
16			1911641-00	SN 745257 MUX,QUAD 2 TO 1	1		E14
17			1912389-00	74508 AND GATE-QUAD 2IN,PO	1		E18
18			1912648-00	LS251 MUX 8 INPUT TRI-STA	1		E9
19			1912799-00	LS00 NAND-GATE-QUAD 2IN,P	2		E13,E24
20			1912813-00	LS27 NOR GATE-TRIPLE 3IN	1		E2
21			1912824-00	LS74 FF-D DUAL,EDGE TRIGG	3		E16,E19,E23
22			1912853-00	LS175 FF-D QUAD	1		E10
23			1912864-00	LS279 LATCH,QUAD-S-R	1		E21
24			1913245-00	2901 BIPOLAR MICROPROCESSO	2		E17,E20
25			1909004-00	DEC 7402 NOR GATE-QUAD 2IN	1		E8
26			1910536-00	74510 NAND GATE-TRIPLE 3IN	1		E15
27			1912842-00	LS138 DECODER-THREE INPUT	1		E4
28			1913493-00	745241 OCTAL BUFFER,TRI-STA	1		E5
29			1211813-02	SKT,IC 16PIN DIP GOLD PLATE	1		E25
30			1812131-00	OSCILLATOR, XTAL 13.824 MHZ	1		E1

REVISION HISTORY		BASIC PART NO: M8962		DRN: J. ROGERS	DATE: 21-NOV-77	D I G I T A L	
ENG	ECO NUMBER	REV	SECTION A OF A	CHK'D: R. WALDIE	DATE: 21-NOV-77	TITLE PARTS LIST	
	INIT	C	SECTION VARIATION INDEX			MICRO PROCESSOR BOARD 1	
	B.K. M8962-ML001	D	[A] 00				
			[B]				
			[C]				
			[D]				
			[E]				
			[F]				
			[H]				
			[J]				
			[K]				
			[L]				
			[M]				
			[N]				
				DES. ENG: P. KINZELMAN	DATE: 05-JUL-78	DOCUMENT NUMBER	
				RESP. ENG.: P. KINZELMAN	DATE: 05-JUL-78	SIZE: CODE: NUMBER	REV
				MFG. ENG.: P. BARTON	DATE: 05-JUL-78	K PL M8962-0-DBP	D
				ASSEMBLY NUMBER: D-UA-M8962-0-0	TOP DOCUMENT NUMBER: TSO4	FILE NAME: 20611D.PLS	EDIT #: 22
<p>"THIS DRAWING AND SPECIFICATIONS HEREIN ARE THE PROPERTY OF DIGITAL EQUIPMENT CORPORATION AND SHALL NOT BE REPRODUCED OR COPIED OR USED IN WHOLE OR IN PART AS THE BASIS FOR THE MANUFACTURE OR SALE OF ITEMS WITHOUT WRITTEN PERMISSION. COPYRIGHT (C) 1981. DIGITAL EQUIPMENT CORPORATION"</p>							

AUTOMATED BY PRTLST.IC(5)

PARTS LIST

SHEET A2 OF A2

LINE ITEM DOCUMENT NUMBER

PART NUMBER

DESCRIPTION

QTY PER VARIATION
00

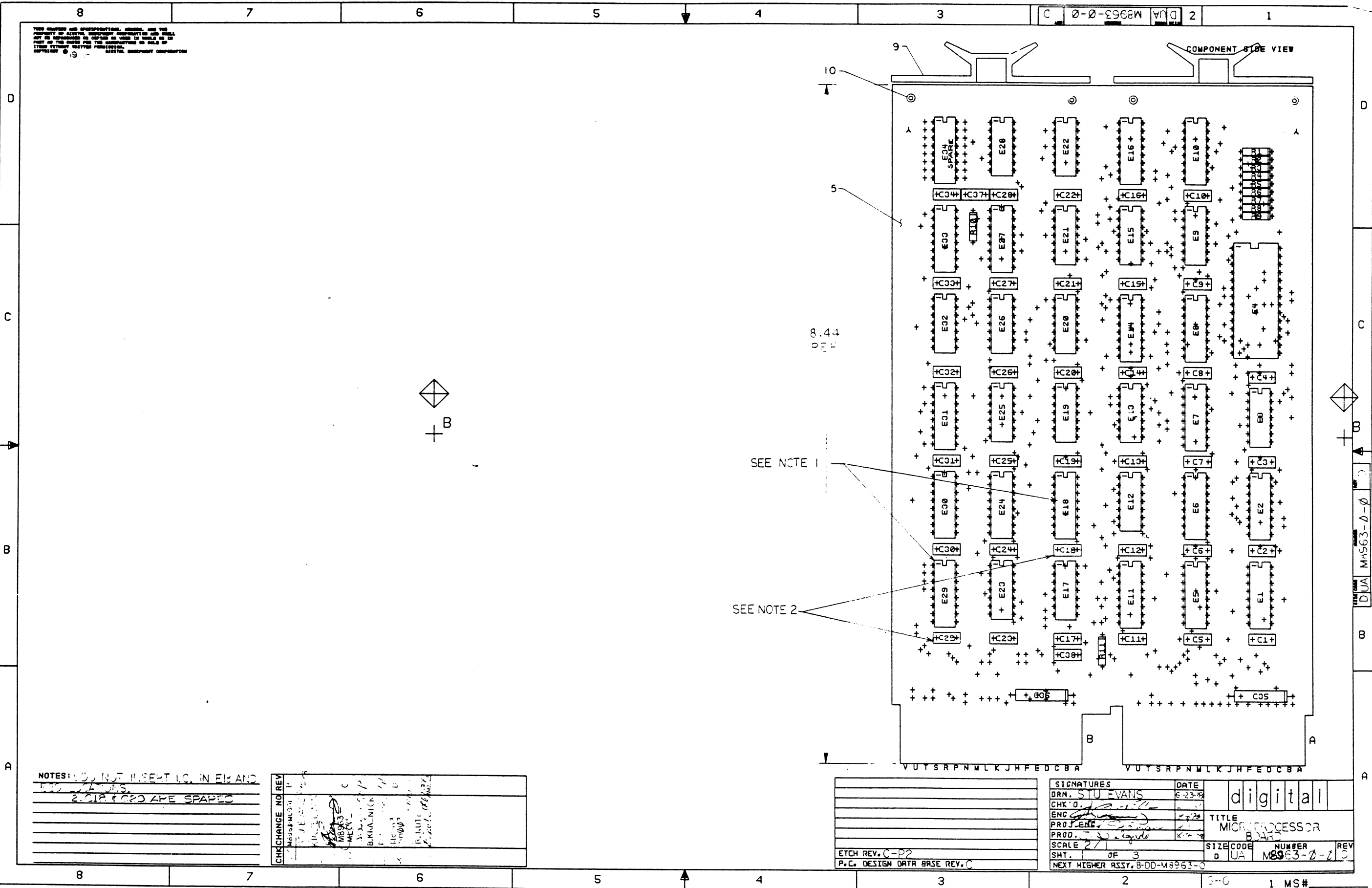
REFERENCE DESIGNATOR

LINE ITEM	DOCUMENT NUMBER	PART NUMBER	DESCRIPTION	QTY PER VARIATION	REFERENCE DESIGNATOR
31	31	9008337-06	HANDLE, FLIP CHIP, MAGENTA	1	
32	32	9006732-00	EYELET, ROLL FLANGE .1210DX .219	2	
33	33	1912803-00	74LS04 INVERTER GATE, HEX	1	E6
34	34	1000016-00	100.0 MMF 100V 5%200PPM MICA	6	C29-C34
35	35	9107256-11	TUBING, THIN WALL, .027ID UL	A/R	

D I G I T A L										TITLE										MICRO PROCESSOR BOARD 1										SECTION A OF A										SIZE		CODE		DOCUMENT NUMBER										REV	
																																								K		PL		M8962-0-DBP										D	

THIS DRAWING AND SPECIFICATIONS, HEREIN, ARE THE PROPERTY OF DIGITAL EQUIPMENT CORPORATION AND SHALL NOT BE REPRODUCED OR COPIED IN WHOLE OR IN PART FOR THE PURPOSES OF SALE OF ITEMS WITHOUT WRITTEN PERMISSION. COMPANY © 1973

2 DUA M8963-0-0



8.44
0.01

SEE NOTE 1

SEE NOTE 2

NOTES: DO NOT INSERT I.C. IN E18 AND E20 LOCATIONS.
E29, C02 ARE SPARE

CHANGE NO	REV	DATE	BY	CHK'D
1	P	6-23-78	STU EVANS	
2	C		BKVA-NICK	
3	B		ICONS	
4	A		P. J. ...	

ETCH REV. C-P2	
P.C. DESIGN DATA BASE REV. C	

SIGNATURES		DATE	digital
DRN. STU EVANS		6-23-78	
CHK'D.			
ENG.			
PROJ. ENG.			
PROD.			
SCALE			
SHT. OF 3			
NEXT HIGHER ASSY. 8-00-M8963-0			

TITLE MICROPROCESSOR BOARD

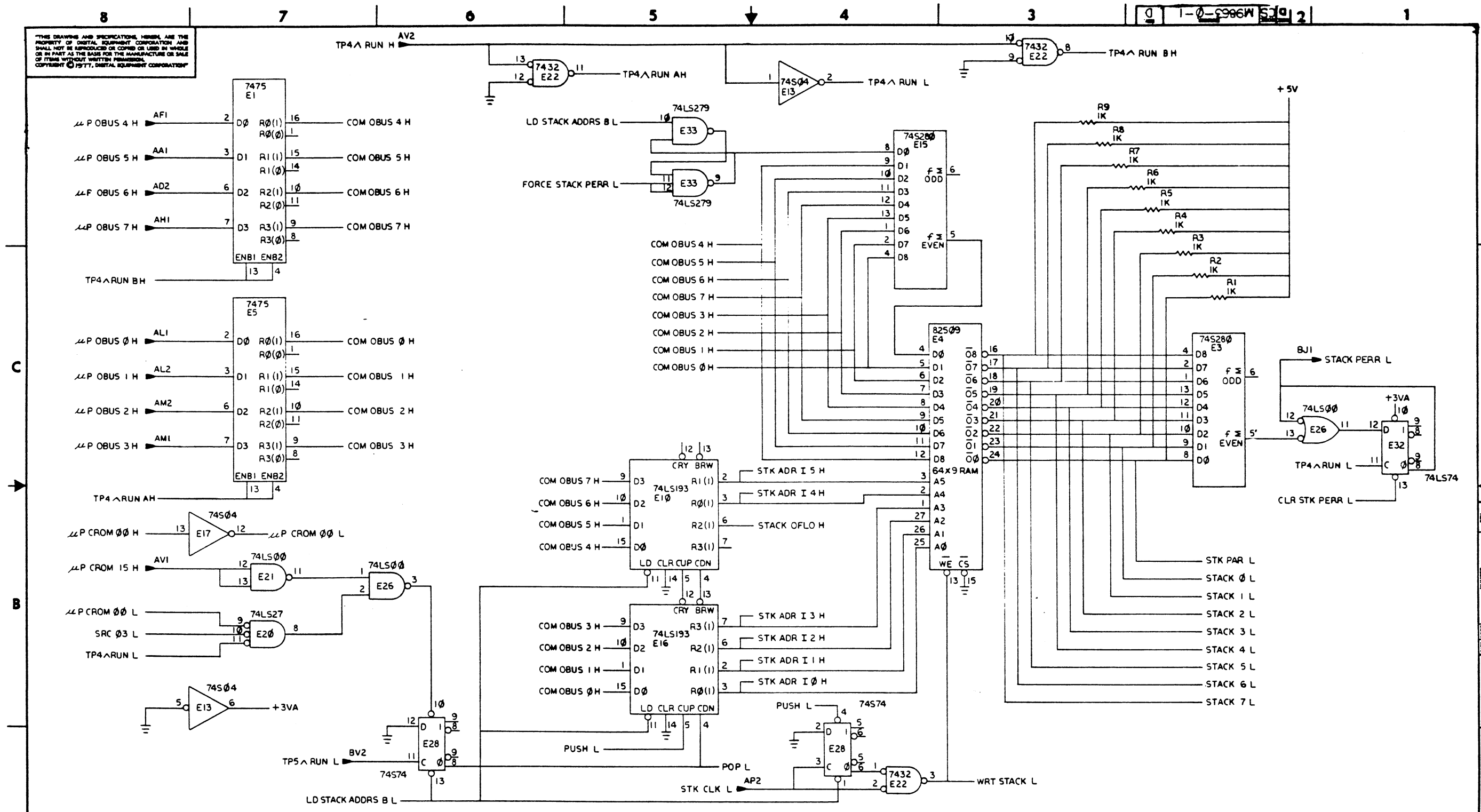
SIZE CODE NUMBER REV
D U A M8963-0-210

DUA M8963-0-0

1 MS#

THE DRAWING AND SPECIFICATIONS HEREIN ARE THE PROPERTY OF DIGITAL EQUIPMENT CORPORATION AND SHALL NOT BE REPRODUCED OR COPIED OR USED IN WHOLE OR IN PART AS THE BASIS FOR THE MANUFACTURE OR SALE OF ITEMS WITHOUT WRITTEN PERMISSION. COPYRIGHT © 1977, DIGITAL EQUIPMENT CORPORATION

1-0-9966W S2 2

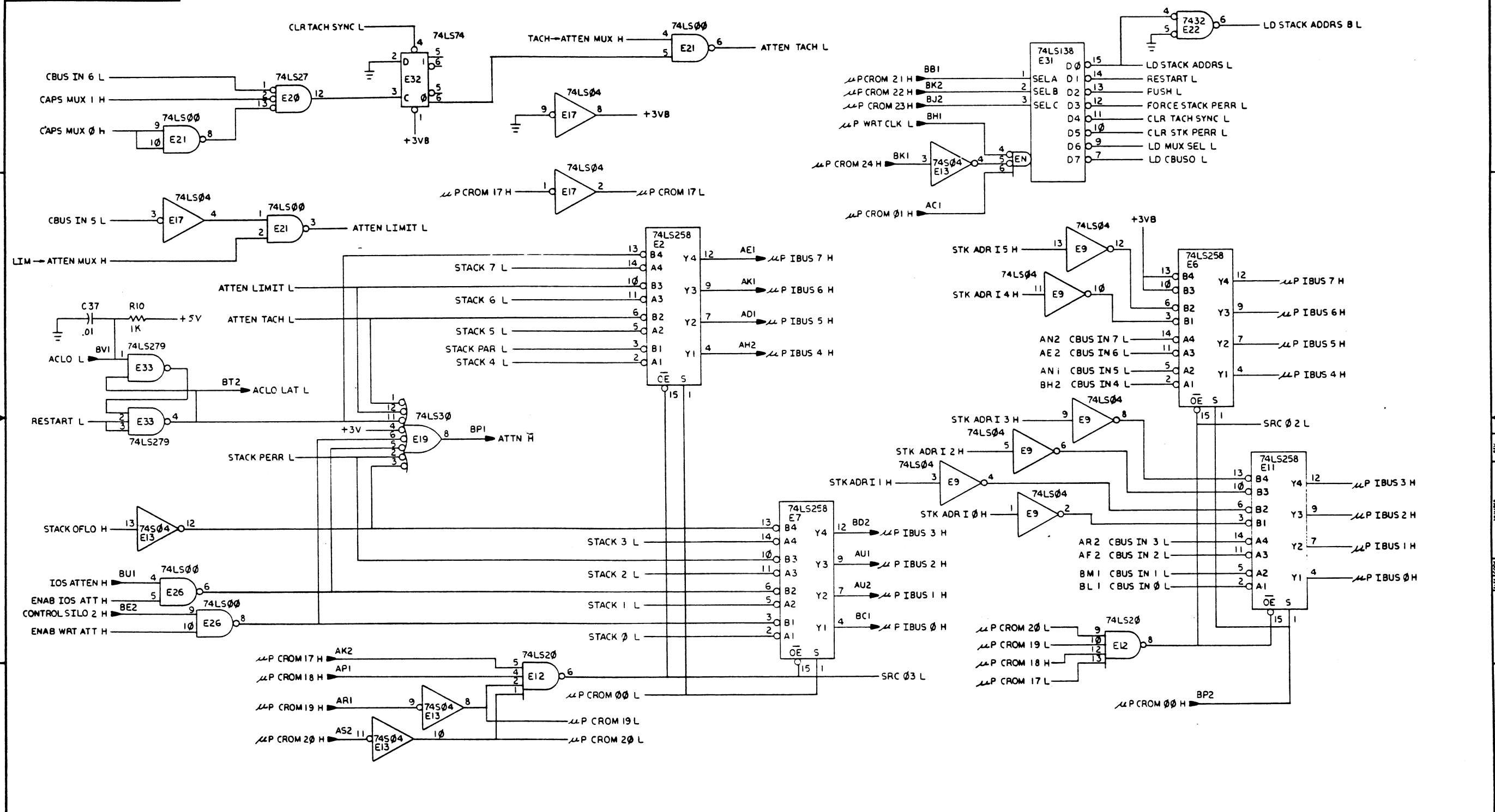


REV.	DATE	BY	CHK
1	5/21/80	B. KRASNICK	B. KRASNICK
2	5/21/80	B. KRASNICK	B. KRASNICK
3	5/21/80	B. KRASNICK	B. KRASNICK
4	5/21/80	B. KRASNICK	B. KRASNICK

DRN. 1-0-9966W		ETCH REV. C-PR	
CHK. 1-0-9966W		FIRST USED ON TS04	
ENL. 1-0-9966W		TITLE MICROPROCESSOR BOARD 2	
PROJ. ENG. 1-0-9966W		NEXT HIGHER ASSY.	
PROD. 1-0-9966W		B-00-M9863-0	
SCALE NONE	SIZE CODE D CS	NUMBER M9863-0-1	REV. D
SHEET 1 OF 3	DIST.	SHO	

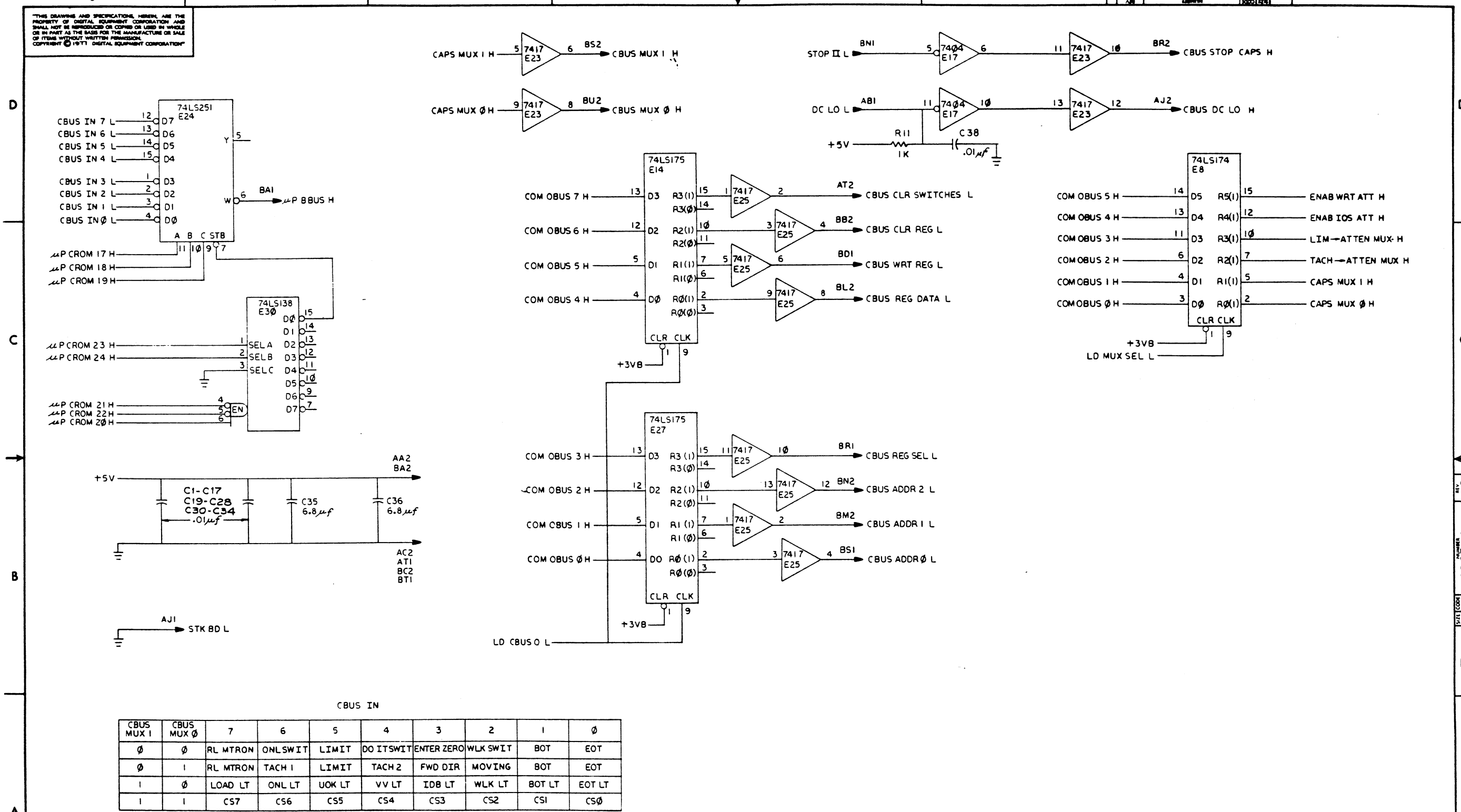
REV. D CS M9863-0-1

THIS DRAWING AND SPECIFICATIONS HEREIN ARE THE PROPERTY OF DIGITAL EQUIPMENT CORPORATION AND SHALL NOT BE REPRODUCED OR COPIED OR USED IN WHOLE OR IN PART AS THE BASIS FOR THE MANUFACTURE OR SALE OF ITEMS WITHOUT WRITTEN PERMISSION. COPYRIGHT © 1977 DIGITAL EQUIPMENT CORPORATION



REVISIONS		
CHK	CHANGE NO.	REV.

THIS DRAWING AND SPECIFICATIONS, HEREIN, ARE THE PROPERTY OF DIGITAL EQUIPMENT CORPORATION AND SHALL NOT BE REPRODUCED OR COPIED OR USED IN WHOLE OR IN PART AS THE BASIS FOR THE MANUFACTURE OR SALE OF ITEMS WITHOUT WRITTEN PERMISSION. COPYRIGHT © 1971 DIGITAL EQUIPMENT CORPORATION



REVISIONS		
CHK	CHANGE NO.	REV.

DIGITAL EQUIPMENT CORPORATION M8963-0-1

AUTOMATED BY PRTLST.2D(15)

PARTS LIST

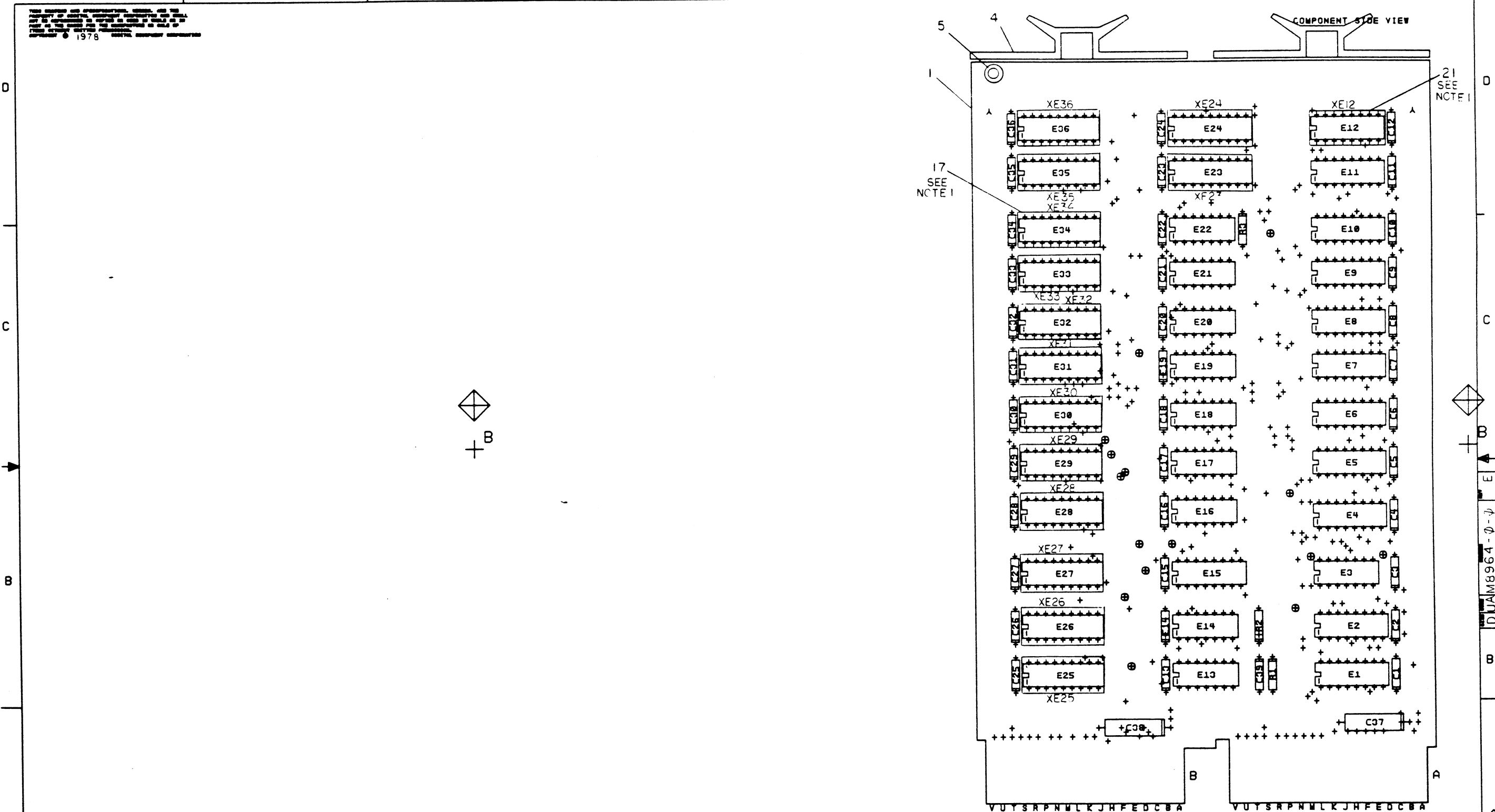
SHEET A1 OF A1

LINE	ITEM	DOCUMENT NUMBER	PART NUMBER	DESCRIPTION	QTY PER VARIATION	REFERENCE DESIGNATOR
1	1	D-CS-M8963-0-1		CIRCUIT SCHEMATIC	REF	
2	2	D-UA-M8963-0-0		UNIT ASSEMBLY	REF	
3	3	B-DD-M8963-0-0		DWG. DIRECTORY	REF	
4	4	D-MD-M8963-0-0		DRILL & ETCH DWG.	REF	
5	5		5012890-00	M8963	1	
6	6		1001510-00	.01 MFD 50V +80-20% Z5U CER	34	C1-C17, C19-C28, C30-C34, C37, C38
7	7		1005306-00	6.8MFD 35V 10% S.TANT	2	C35, C36
8	8		1300365-00	1.0 K .25 W 5.0 % CF	11	R1-R11
9	9		9008337-06	HANDLE, FLIP CHIP, MAGENTA	2	
10	10		9005732-00	EYELET, ROLLED 0.1210DX0.219	4	
11	11		1912859-00	LS258 MUX 1 OF 2 (DUAL),	4	E2, E6, E11, E7
12	12		1912810-00	LS20 NAND GATE-DUAL 4IN	1	E12
13	13		1912648-00	LS251 MUX 8 INPUT, TRI-STA	1	E24
14	14		1912799-00	LS00 NAND-GATE-QUAD 2IN, P	2	E21, E26
15	15		1912803-00	LS04 INVERTER GATE, HEX	2	E9, E17
16	16		1912853-00	LS175 FF-D QUAD	2	E14, F27
17	17		1909929-00	7417 BUFFER GATE-HEX 1INP	2	E23, E25
18	18		1912824-00	LS74 FF-D DUAL, EDGE TRIGG	1	E32
19	19		1909050-00	7475 LATCH 4BIT	2	E1, E5
20	20		1910534-00	74504 INVERTER GATE-HEX 1I	1	E13
21	21		1912864-00	LS279 LATCH, QUAD-S-R	1	E33
22	22		1912813-00	LS27 NOR GATE-TRIPLE 3IN	1	E20
23	23		1910544-00	74574 FF-D DUAL, EDGE TRIGG	1	E28
24	24		1911521-00	7432 OR GATE-QUAD 2IN, PO	1	E22
25	25		1911573-00	745280 PARITY GEN/CHKR, 9BIT	2	E3, E15
26	26		1912854-00	LS193 COUNTER, SYNCHR, 4BIT,	2	E10, E16
27	27		1912697-00	LS174 FF-D HEX W/CLEAR	1	E8
28	28		1912842-00	LS138 DECODER-THREE INPUT,	2	E30, E31
29	29		1912815-00	LS30 NAND GATE-SINGLE 8IN	1	E19
30	30		1913663-00	93419DC RAM 64X9 28PIN TT	1	E4

REVISION HISTORY			BASIC PART NO: M8963	DRN: H. WEINBRENNER	DATE: 17-JUL-78	DIGITAL			
ENG:	ECO NUMBER	REV	SECTION A OF A	CHK'D: C. CAMPBELL	DATE: 17-JUL-78	TITLE: PARTS LIST			
WE	00001	B	SECTION VARIATION INDEX	DES. ENG.: N. FINDEAN	DATE: 17-JUL-78	MICROPROCESSOR BOARD 2			
BK	M8963-MLO02	C	[A] 00	RESP. ENG.: N. FINDEAN	DATE: 17-JUL-78	DOCUMENT NUMBER			
RN	M8963-SHO03	D	[B]	MFG. ENG.: G. DILLARD	DATE: 17-JUL-78	SIZE	CODE	NUMBER	REV
			[C]	ASSEMBLY NUMBER:	TOP DOCUMENT NUMBER:	K	PL	M8963-0-DBP	D
			[D]	D-UA-M8963-0-0	TS04	FILE NAME:		Z1472D.PLS	EDIT
			[E]						5
			[F]						
			[G]						
			[H]						
			[I]						
			[J]						
			[K]						
			[L]						
			[M]						
			[N]						

"THIS DRAWING AND SPECIFICATIONS HEREIN, ARE THE PROPERTY OF DIGITAL EQUIPMENT CORPORATION AND SHALL NOT BE REPRODUCED OR COPIED OR USED IN WHOLE OR IN PART AS THE BASIS FOR THE MANUFACTURE OR SALE OF ITEMS WITHOUT WRITTEN PERMISSION. COPYRIGHT (C) 1983. DIGITAL EQUIPMENT CORPORATION."

1978



NOTES: INSTALL SOCKETS, ITEMS 17 & 21 BEFORE INSTALLING IC'S.

CHKCHANGE NO	REV	DATE	BY
M8964-11002	A	7-19-78	J.M.
M8964-11003	B	6-79	P.K.
M8964-11004	C		P.K.
M8964-11005	D		P.K.
M8964-11006	E		P.K.

ETCH REV. CP2
P.C. DESIGN ORTH BRD REV. CL2 & CM2

SIGNATURES	DATE	TITLE
DRN. <i>[Signature]</i>	7-19-78	ROM BOARD
CHK'D. <i>[Signature]</i>	7-22-78	
ENG. <i>[Signature]</i>	7-22-78	
PROD. <i>[Signature]</i>	10/2/77	
SCALE 2/1		SIZE CODE NUMBER REV
SHT. 1 OF 5		D U A M 8 9 6 4 - 0 - 0 -
NEXT HIGHER ASSY. B-00-M8964-0		

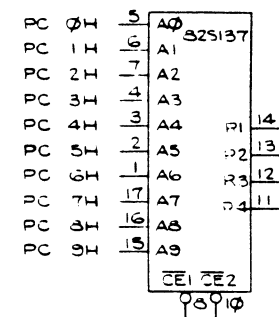
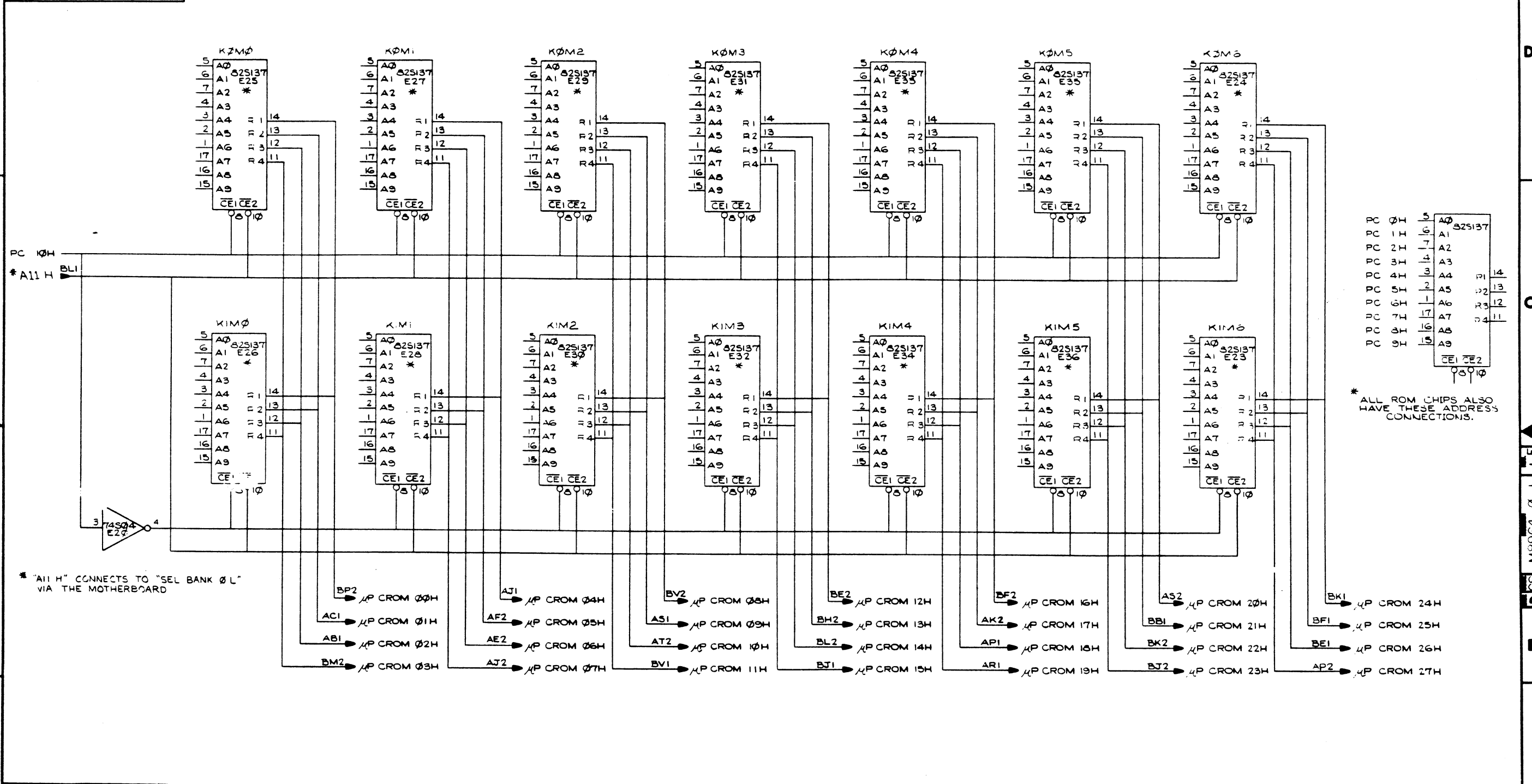
digital

ROM BOARD

D U A M 8 9 6 4 - 0 - 0

1 MS#262423

THIS DRAWING AND SPECIFICATIONS, GENERAL AND SPECIAL, ARE THE PROPERTY OF DIGITAL EQUIPMENT CORPORATION AND SHALL NOT BE REPRODUCED OR COPIED OR USED IN WHOLE OR IN PART AS THE BASIS FOR THE MANUFACTURE OR SALE OF ITEMS WITHOUT WRITTEN PERMISSION. © 1977, DIGITAL EQUIPMENT CORPORATION



* ALL ROM CHIPS ALSO HAVE THESE ADDRESS CONNECTIONS.

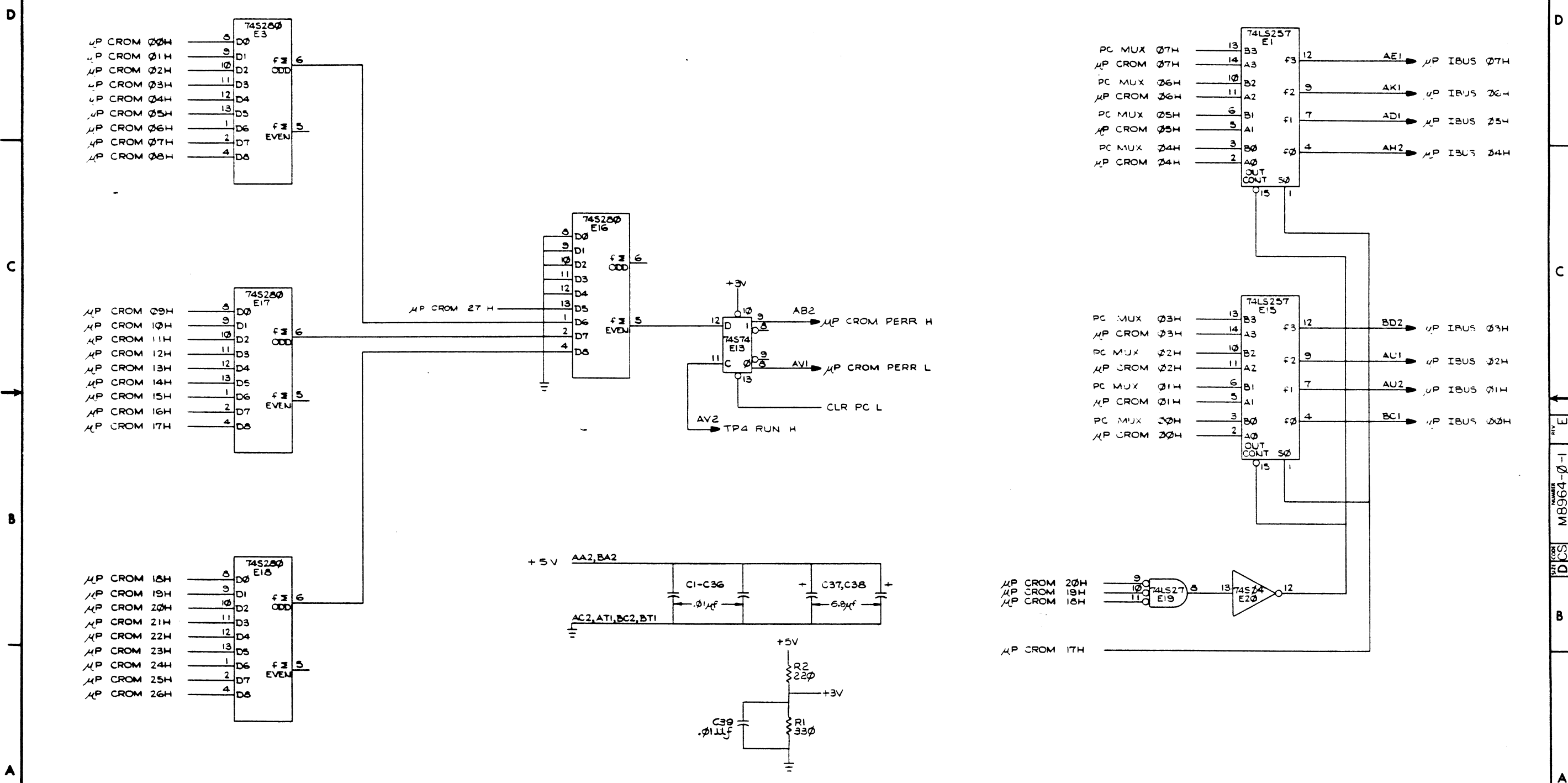
* "A11 H" CONNECTS TO "SEL BANK 0 L" VIA THE MOTHERBOARD

- BP2 → CROM 00H
- AC1 → CROM 01H
- AB1 → CROM 02H
- BM2 → CROM 03H
- AJ1 → CROM 04H
- AF2 → CROM 05H
- AE2 → CROM 06H
- AJ2 → CROM 07H
- BV2 → CROM 08H
- AS1 → CROM 09H
- AT2 → CROM 10H
- BV1 → CROM 11H
- BE2 → CROM 12H
- BH2 → CROM 13H
- BL2 → CROM 14H
- BJ1 → CROM 15H
- BF2 → CROM 16H
- AK2 → CROM 17H
- AP1 → CROM 18H
- AR1 → CROM 19H
- AS2 → CROM 20H
- BB1 → CROM 21H
- BK2 → CROM 22H
- BJ2 → CROM 23H
- BK1 → CROM 24H
- BF1 → CROM 25H
- BE1 → CROM 26H
- AP2 → CROM 27H

REV.	CHANGED BY	DATE	REASON
A	DRM	11/16/77	INITIAL DESIGN
B	ENG/DALL KINZELMAN	1/16/78	REVISED FOR MFG
C	PAUL KINZELMAN	2/1/78	REVISED FOR MFG
D	F. KINZELMAN	2/1/78	REVISED FOR MFG
E	B. KRASNICK	2/1/78	REVISED FOR MFG
F	R. L. RINITE	2/1/78	REVISED FOR MFG

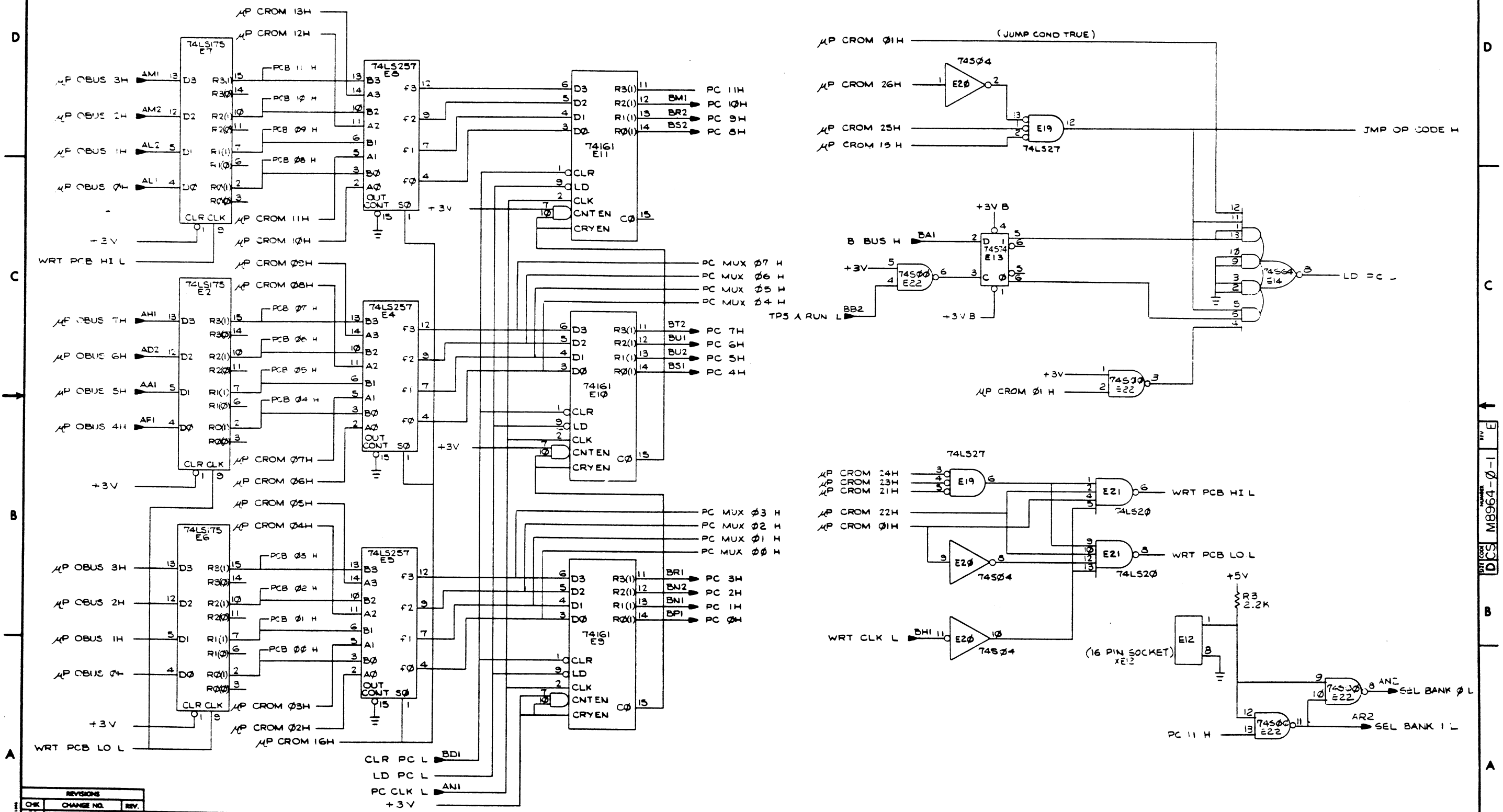
DRN. 3 Family	4-29-77	FIRST USED ON	TS04
CHK'D BY	6-11-77	TITLE	ROM BOARD
ENG. BY	6/27/77	SCALE	1:1
PROL. ENGR.	6/27/77	NUMBER	M8964-0-1
PROD. BY	6/27/77	REV.	E
NEXT NUMBER ASSY.		SIZE	CS
BDD-M8964-0		SCALE	CS
SHEET	OF 3	DRY.	

THIS DRAWING AND SPECIFICATIONS HEREIN ARE THE PROPERTY OF METAL EQUIPMENT CORPORATION AND SHALL NOT BE REPRODUCED OR COPIED OR USED IN WHOLE OR IN PART AS THE BASIS FOR THE MANUFACTURE OR SALE OF ITEMS WITHOUT WRITTEN PERMISSION. COPYRIGHT © 1977 METAL EQUIPMENT CORPORATION



REVISIONS		
CHK	CHANGE NO.	REV.
	M8964-NL002	A
ENR	Paul Kinzelman	1/1/77
ENG	PAUL KINZELMAN	1/1/77

THIS DRAWING AND SPECIFICATIONS HEREIN ARE THE PROPERTY OF DIGITAL EQUIPMENT CORPORATION AND SHALL NOT BE REPRODUCED OR COPIED OR USED IN WHOLE OR IN PART AS THE BASIS FOR THE MANUFACTURE OR SALE OF ITEMS WITHOUT WRITTEN PERMISSION. COPYRIGHT © 1977 DIGITAL EQUIPMENT CORPORATION



REVISIONS		
CHK	CHANGE NO.	REV.
DRN	M8964-ML002	A
ENG	PAUL KINZELMAN	

LINE	ITEM	DOCUMENT NUMBER	PART NUMBER	DESCRIPTION	QTY PER VARIATION	REFERENCE DESIGNATOR
					00	
1	1		5012817-00	M8964	1	
2	2		1001610-00	.01 MFD 50V +80-20% Z5U CER	37	C1-C36,C39
3	3		1005306-00	6.8MFD 35V 10% S.TANT	2	C37,C38
4	4		9008337-06	HANDLE, FLIP CHIP, MAGENTA	2	
5	5		9006732-00	EYELET,ROLLED 0.1210DX0.219	4	
6	6		1910534-00	74S04 INVERTER GATE-HEX 1I	1	E20
7	7		1912810-00	LS20 NAND GATE-DUAL 4IN	1	E21
8	8		1910532-00	74S00 NAND GATE-QUAD 2IN	1	E22
9	9		1910650-00	74161 COUNTER,SYNCHR. UP	3	E9-E11
10	10		1910950-00	74S74 FF-D DUAL (-45 VERSI	1	E13
11	11		1912813-00	LS27 NOR GATE-TRIPLE 3IN	1	E19
12	12		1910542-00	74S64 A-0-I GATE 4-2-3-2	1	E14
13	13		1911573-00	74S280 PARITY GEN/CHKR,9BIT	4	E3,E16-E18
14	14		1912647-00	LS257 MUX 1 OF 2 (QUAD)	5	E1,E4,E5,E8,E15
15	15		1912853-00	LS175 FF-D QUAD	3	E2,E6,E7
16	16		23000F1-01	*** THIS ITEM IS NOT USED ***	-	
17	17		1211666-00	SKT,IC 18PIN DIP GOLD	14	XE23-XE36
18	18		1300271-00	220.0 .25 W 5.0 % CC	1	R2
19	19		1300295-00	330.0 .25 W 5.0 % CC	1	R1
20	20		1300417-00	2.20 K .25 W 5.0 % CC	1	R3
21	21		1211813-00	/REPLACED BY 12-15006-02	1	XE12
22	22		23622F1-00	*** THIS ITEM IS NOT USED ***	-	
23	23		23623F1-00	*** THIS ITEM IS NOT USED ***	-	
24	24		23624F1-00	*** THIS ITEM IS NOT USED ***	-	
25	25		23625F1-00	*** THIS ITEM IS NOT USED ***	-	
26	26		23626F1-00	*** THIS ITEM IS NOT USED ***	-	
27	27		23627F1-00	*** THIS ITEM IS NOT USED ***	-	
28	28		23628F1-00	*** THIS ITEM IS NOT USED ***	-	
29	29		23620F1-00	F1-01	1	E26
30	30		23397F1-00	F1-01	1	E28

REVISION HISTORY		BASIC PART NO: M8964		DRN:	L.METZGER	DATE:	18-JUL-78	DIGITAL			
ENG	ECO NUMBER	REV	SECTION A OF A	CHK'D:	S.TUTTLE	DATE:	18-JUL-78	TITLE	PARTS LIST		
	INIT	*	SECTION,VARIATION INDEX								
PB	ML002	A	[A] 00					ROM BOARD			
P.K	M8964-ML003	B	[B]								
PK	M8964-ML004	C	[C]	DES.ENG:	P.KINZELMAN	DATE:	12-SEP-78				
BK	M8964-ML005	D	[D]								
RN	M8964-ML006	E	[E]								
			[F]	RESP.ENG.:	P.KINZELMAN	DATE:	12-SEP-78				
			[H]					SIZE	CODE	NUMBER	REV
			[J]								
			[K]	MFG.ENG.:	P.BARTON	DATE:	18-JUL-78	K	PL	M8964-0-DBP	E
			[L]								
			[M]	ASSEMBLY NUMBER:		TOP DOCUMENT NUMBER:		FILE NAME:		EDIT #	
			[N]	D-UA-M8964-0-0		TS04		Z0609E.PLS		10	

*THIS DRAWING AND SPECIFICATIONS HEREIN, ARE THE PROPERTY OF DIGITAL EQUIPMENT CORPORATION AND SHALL NOT BE REPRODUCED OR COPIED OR USED IN WHOLE OR IN PART AS THE BASIS FOR THE MANUFACTURE OR SALE OF ITEMS WITHOUT WRITTEN PERMISSION.

COPYRIGHT (C) 1982, DIGITAL EQUIPMENT CORPORATION *

ML2

2

PREPARED BY PRTLST.2E(3)

PARTS LIST

SHEET A2 OF A2

LINE ITEM	DOCUMENT NUMBER	PART NUMBER	DESCRIPTION	QTY PER VARIATION 00	REFERENCE DESIGNATOR
31	31	23398F1-00	F1-01	1	E30
32	32	23399F1-00	F1-01	1	E32
33	33	23400F1-00	F1-01	1	E34
34	34	23401F1-00	F1-01	1	E36
35	35	23621F1-00	F1-01	1	E23
36	36	23982F1-00	F1-01	1	E25
37	37	23983F1-00	F1-01	1	E27
38	38	23984F1-00	F1-01	1	E29
39	39	23985F1-00	F1-01	1	E31
40	40	23986F1-00	F1-01	1	E33
41	41	23987F1-00	F1-01	1	E35
42	42	23988F1-00	F1-01	1	E24

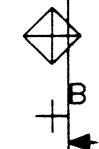
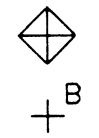
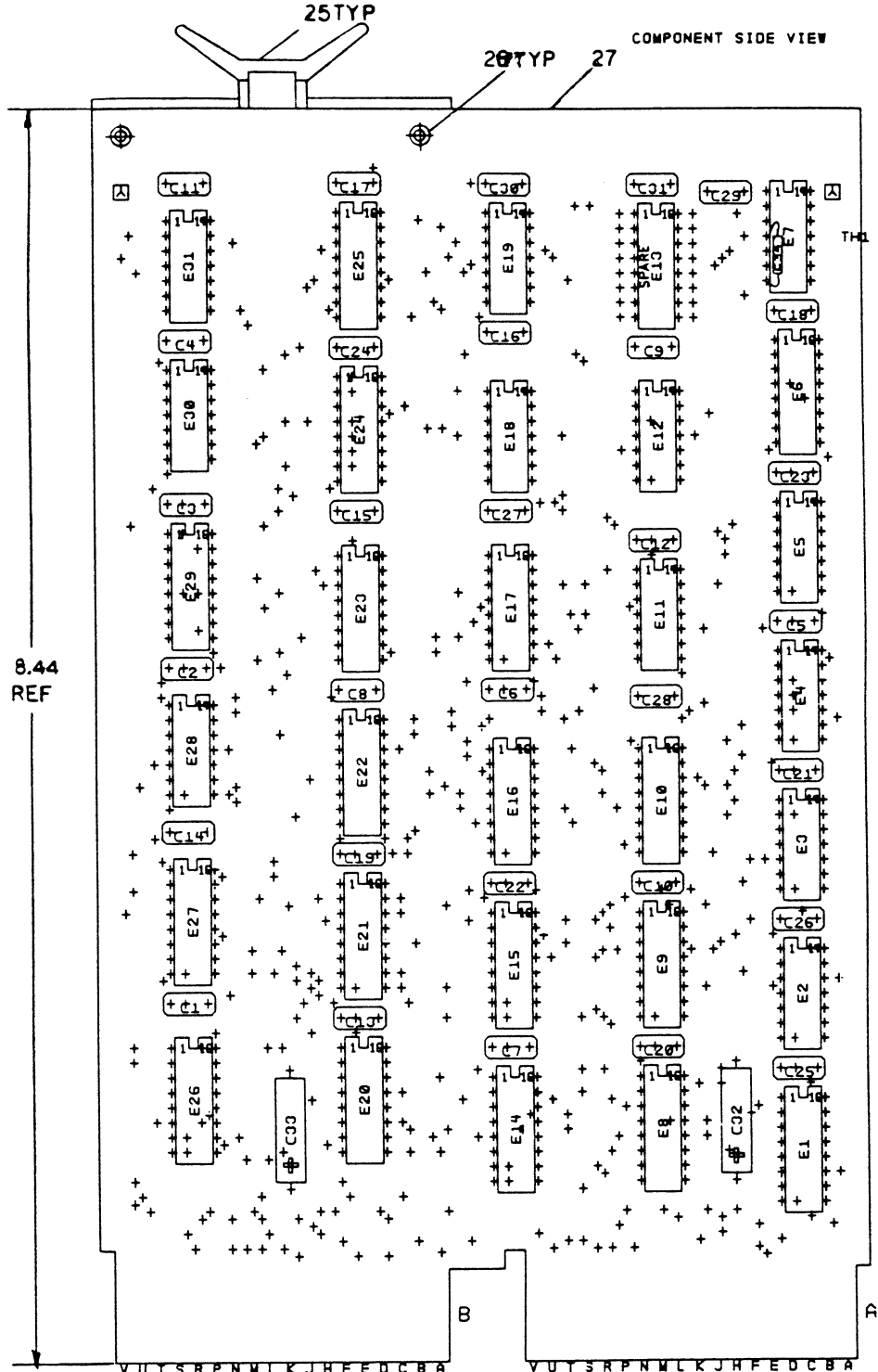
D	I	G	I	T	A	L	TITLE	SECTION A OF A	SIZE	CODE	DOCUMENT NUMBER	REV
							ROM BOARD		K	PL	M8964-0-DBP	E

D J U A M 8 9 6 5 - 0 - 0 2

COMPONENT SIDE VIEW

FIELD SUPPORT AND OPERATIONAL MANUAL FOR THE
REPAIR OF ELECTRA SYSTEMS COMPONENTS AND SHALL
BEYOND THE SCOPE OF THE MANUAL. THE USER IS TO
REFER TO THE REPAIR MANUAL FOR THE REPAIR OF
THESE SYSTEMS. (REVISED) 1977

ECO #1
COMPONENT ADD: SIDE 1
1-1 CAPACITOR (C34) BETWEEN E7 AND E4



NOTES:

CHANGE NO	REV	DATE	BY	CHK'D
27	MSSS	MLL	C	

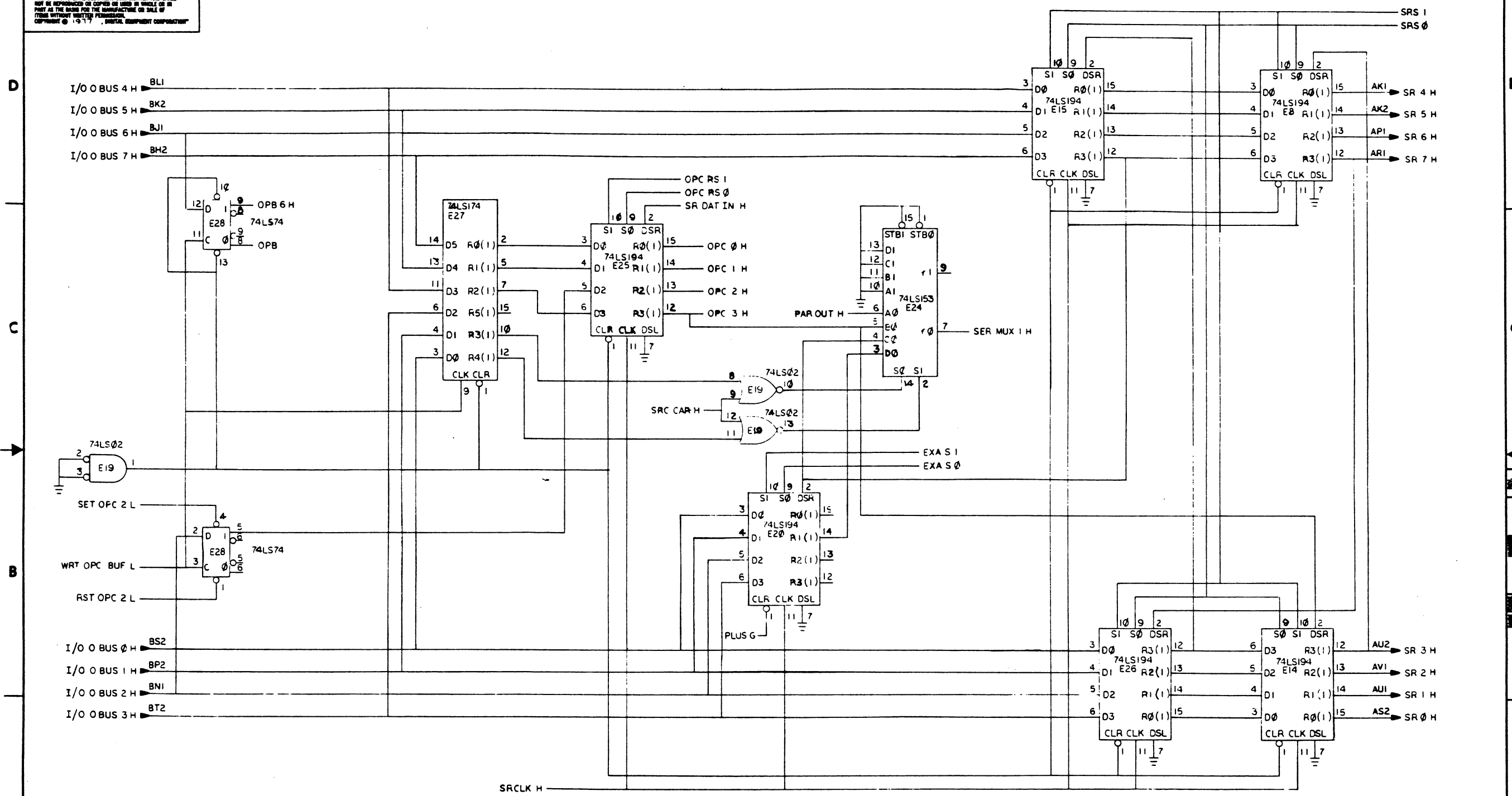
ETCH REV. C
P.C. DESIGN DATA BASE REV. CL

SIGNATURES	DATE
DRM. <i>Ken Gray</i>	16/5/77
CHK'D. <i>W. Mann</i>	27/5/77
ENG. <i>H. Fineman</i>	29/5/77
PROJ. ENG. <i>W. R. ...</i>	1/12/78
PROD. <i>Peter Burt</i>	
SCALE 2/1	
SHT. 1 OF 3	
NEXT HIGHER ASSY. B-DD-M8965-0	

digital	TITLE
I/O SECTION 1	
SIZE CODE	NUMBER
D UA	M8965-0-0
REV	C

1 MS# 116062

"THIS DRAWING AND SPECIFICATIONS, HEREIN ARE THE PROPERTY OF DIGITAL EQUIPMENT CORPORATION AND SHALL NOT BE REPRODUCED OR COPIED OR USED IN WHOLE OR IN PART AS THE BASIS FOR THE MANUFACTURE OR SALE OF ITEMS WITHOUT WRITTEN PERMISSION. COPYRIGHT © 1977, DIGITAL EQUIPMENT CORPORATION"

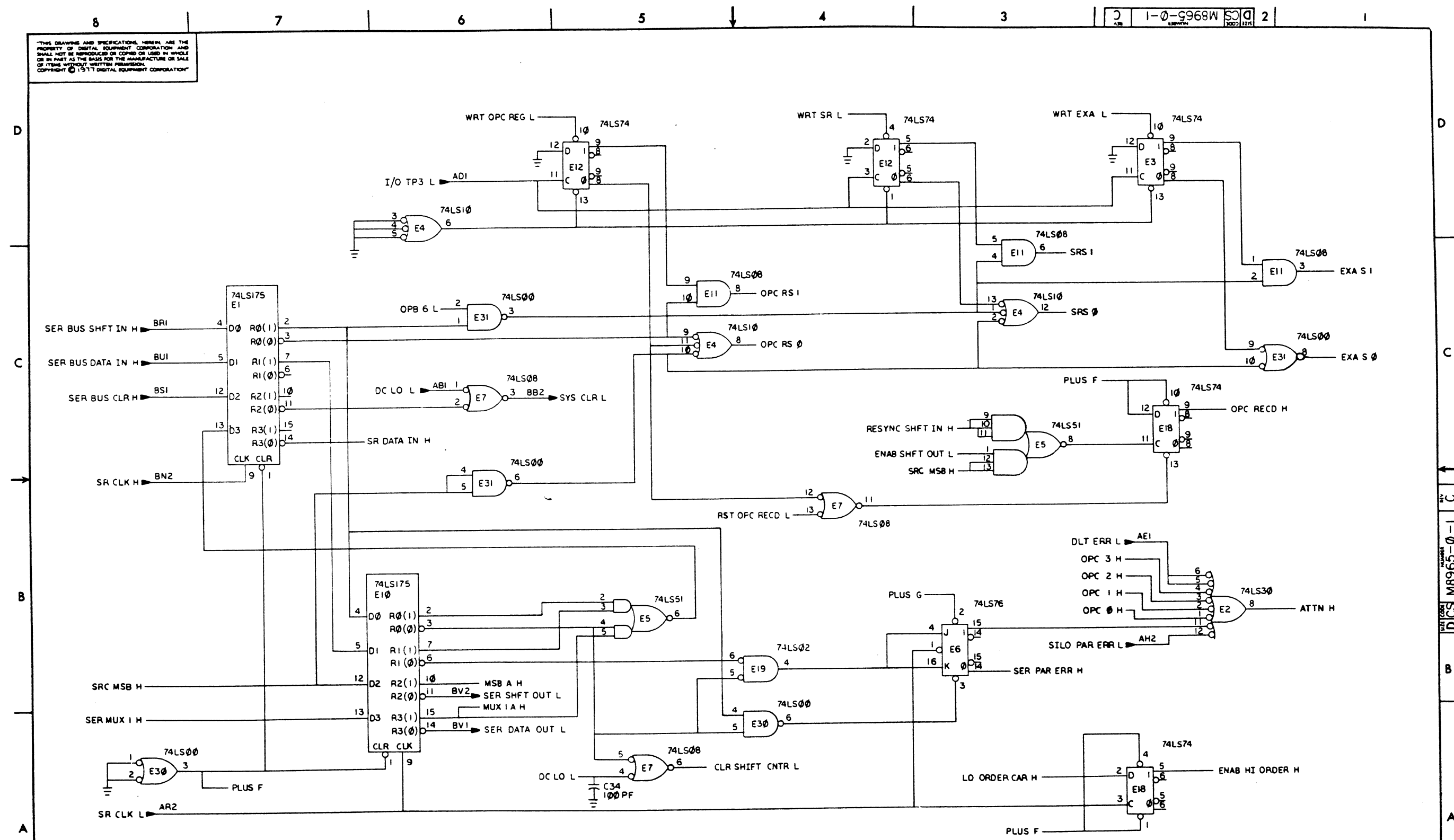


REV.	CHG.	BY	DATE
1	1	B. KRASNICK	7/7/79
2	1	B. KRASNICK	7/7/79

DRN. <i>[Signature]</i>	DATE <i>[Date]</i>	FIRST USED ON	TS04
CHK'D <i>[Signature]</i>	DATE <i>[Date]</i>	TITLE	I/O SECTION I
ENGR. <i>[Signature]</i>	DATE <i>[Date]</i>	NEXT HIGHER ASSY.	
PROJ. ENGR. <i>[Signature]</i>	DATE <i>[Date]</i>	B-DD-M8965-0	SIZE CODE
PROD. <i>[Signature]</i>	DATE <i>[Date]</i>	SCALE NONE	D CS
SHEET 1 OF 3	DIST.	NUMBER	M8965-0-1
		REV.	C

D CS M8965-0-1 C

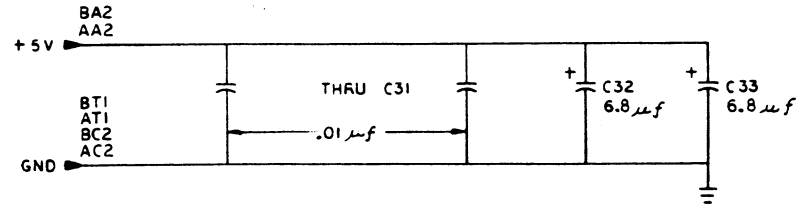
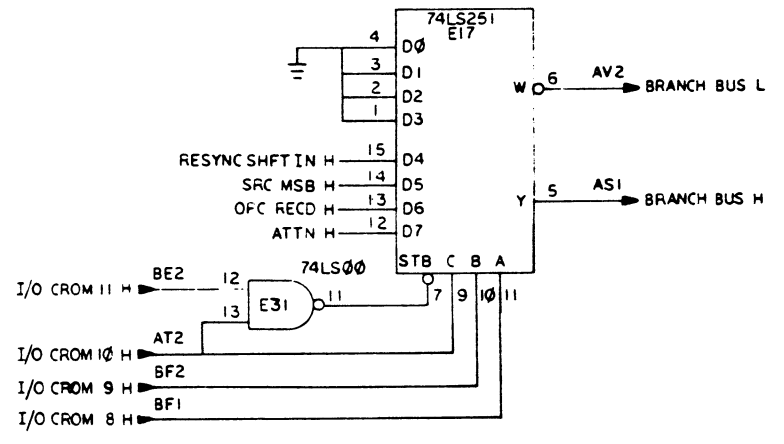
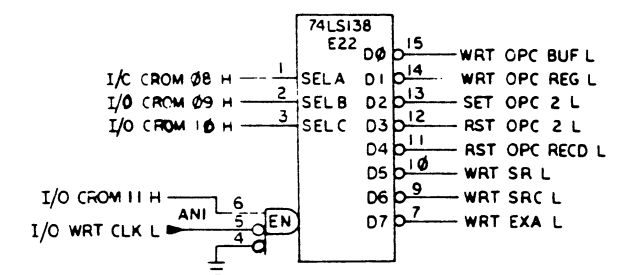
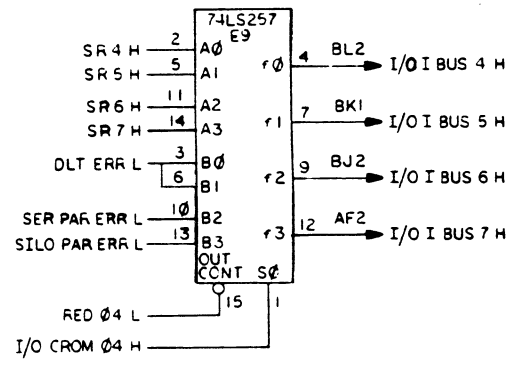
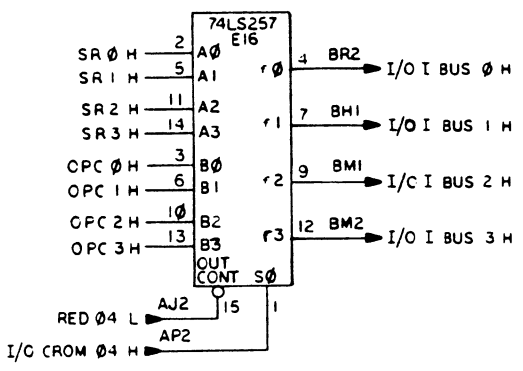
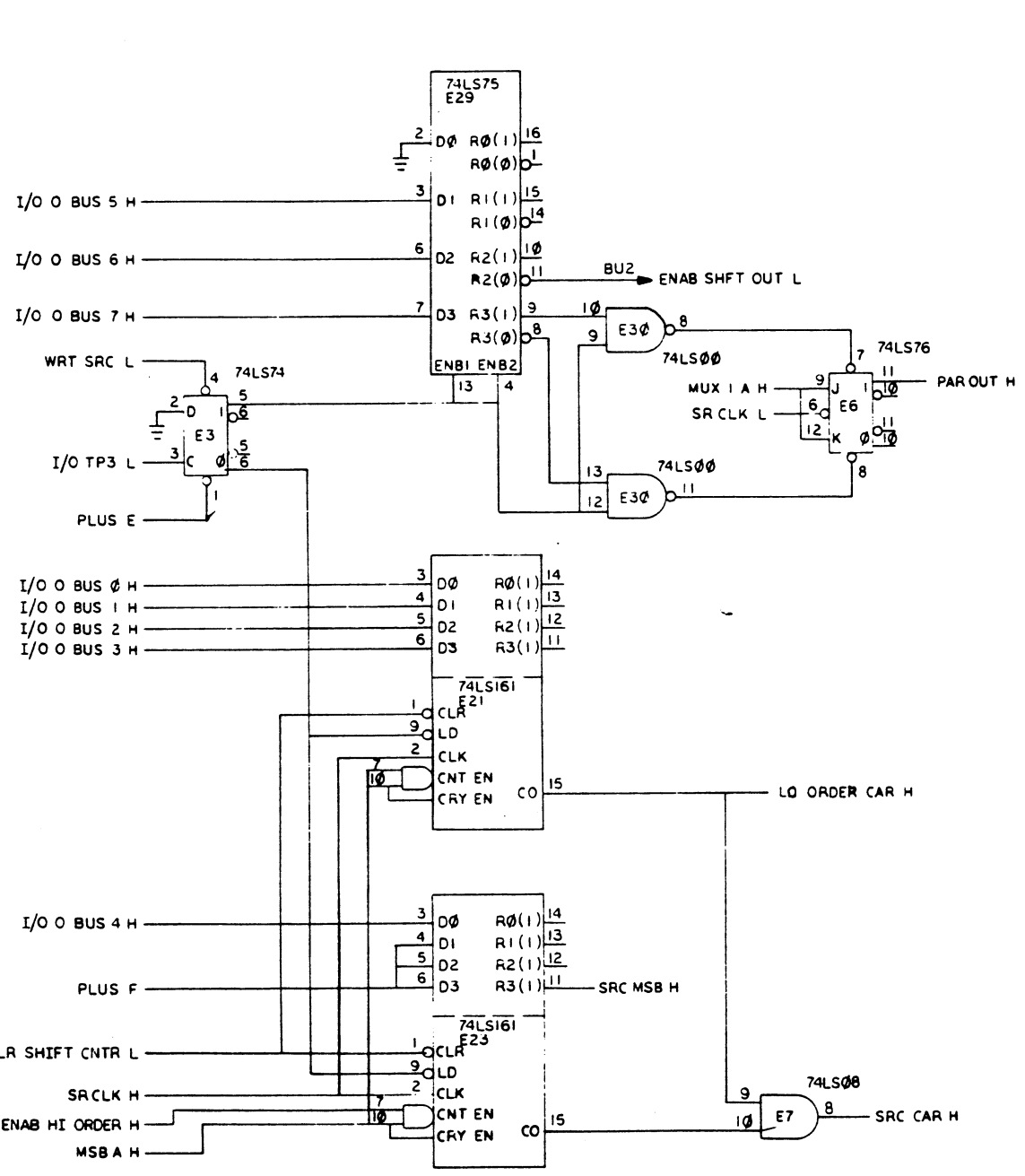
THIS DRAWING AND SPECIFICATIONS HEREIN ARE THE PROPERTY OF DIGITAL EQUIPMENT CORPORATION AND SHALL NOT BE REPRODUCED OR COPIED OR USED IN WHOLE OR IN PART AS THE BASIS FOR THE MANUFACTURE OR SALE OF ITEMS WITHOUT WRITTEN PERMISSION. COPYRIGHT © 1977 DIGITAL EQUIPMENT CORPORATION



REVISIONS		
CHK	CHANGE NO.	REV

TITLE I/O SECTION 1		SIZE CODE D CS	NUMBER M8965-0-1	REV. C
SCALE NONE	SHEET 2	OF 3	DIST.	

THIS DRAWING AND SPECIFICATIONS HEREIN ARE THE PROPERTY OF DIGITAL EQUIPMENT CORPORATION AND SHALL NOT BE REPRODUCED OR COPIED OR USED IN WHOLE OR IN PART AS THE BASIS FOR THE MANUFACTURE OR SALE OF ITEMS WITHOUT WRITTEN PERMISSION. COPYRIGHT © 1977 DIGITAL EQUIPMENT CORPORATION

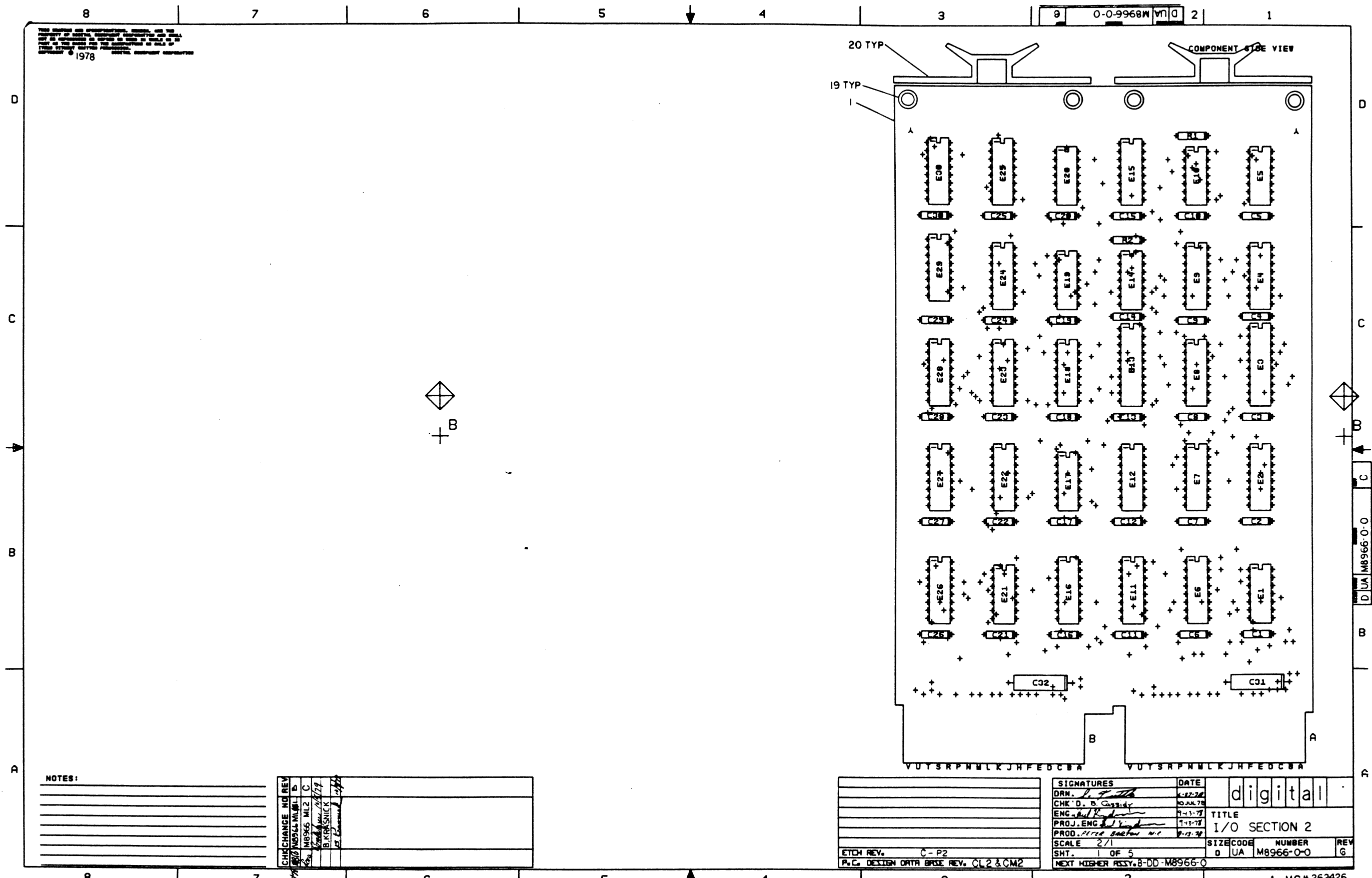


REVISIONS		
CHK	CHANGE NO.	REV

LINE	ITEM	DOCUMENT NUMBER	PART NUMBER	DESCRIPTION	QTY PER VARIATION	REFERENCE DESIGNATOR
					00	
1	1	D-CS-M8965-0-1		CIRCUIT SCHEMATIC	REF	
2	2	D-UA-M8965-0-0		UNIT ASSY	REF	
3	3	B-DD-M8965-0-0		DWG DIRECTORY	REF	
4	4	D-MD-5012885-0-0		DRILL & ETCH DWG	REF	
5	5		1001610-00	.01 MFD 50V -20+80 Z5U AXIAL	31	C1-C31
6	6		1005306-00	6.8MFD 35V 10% S.TANT	2	C32,C33
7	7		1912647-00	LS257 MUX 1 OF 2 (QUAD)	2	E9,E16
8	8		1912648-00	LS251 MUX 8 INPUT,TRI-STA	1	E17
9	9		1912649-00	LS75 LATCH 4BIT,BISTABLE	1	E29
10	10		1912696-00	LS194A SHIFT REG.,4BIT BI-D	6	E8,E14,E15,E20,E25,E26
11	11		1912697-00	LS174 FF-D HEX W/CLEAR	1	E27
12	12		1912799-00	LS00 NAND-GATE-QUAD 2IN,P	2	E30,E31
13	13		1912801-00	LS02 NOR-GATE-QUAD 2IN	1	E19
14	14		1912805-00	LS08 AND GATE-QUAD 2IN,PO	2	E7,E11
15	15		1912807-00	LS10 NAND GATE-TRIPLE 3IN	1	E4
16	16		1912815-00	LS30 NAND GATE-SINGLE 8IN	1	E2
17	17		1912820-00	LS51 A-O-I GATE 2-WIDE 2I	1	E5
18	18		1912824-00	LS74 FF-D DUAL,EDGE TRIGG	4	E3,E12,E18,E28
19	19		1912825-00	LS76 FF-JK DUAL W/PRESET	1	E6
20	20		1912842-00	LS138 DECODER-THREE INPUT,	1	E22
21	21		1912845-00	LS153 MUX 1 OF 4 (DUAL)	1	E24
22	22		1912849-00	LS161 COUNTER,SYNCHR,4BIT	2	E21,E23
23	23		1912853-00	LS175 FF-D QUAD	2	E1,E10
24	24	SPARE LOCATION		IC SPARE	1	E13
25	25		9008337-06	HANDLE, FLIP CHIP, MAGENTA	2	
26	26		9006732-00	EYELET, ROLLED FLANGE, .121 OD X	4	
27	27		5012885-00	M8965	1	
28	28		1000016-00	100.0 MMF 100V 5%200PPM DM15S	1	C34

REVISION HISTORY			BASIC PART NO: M8965		DRN: DON COREY		DATE: 07-NOV-77		DIGITAL			
ENG	ECO NUMBER	REV	SECTION A OF A	CHK'D:	DATE:	TITLE PARTS LIST						
---	INIT	B	SECTION VARIATION INDEX	DON COREY	07-NOV-77	I/O SECTION 1						
B.K	ML001	C	[A] 00									
			[B]									
			[C]	DES.ENG: R.ODOM	DATE: 11-JAN-78							
			[D]									
			[E]			DOCUMENT NUMBER						
			[F]	RESP.ENG.: H.FINDEISEN	DATE: 11-JAN-78							
			[G]			SIZE	CODE	NUMBER	REV			
			[H]			K	PL	M8965-0-DBP	C			
			[I]	MFG.ENG.: P.BARTON	DATE: 11-JAN-78							
			[J]									
			[K]	ASSEMBLY NUMBER:	TOP DOCUMENT NUMBER:	FILE NAME:		EDIT #				
			[L]	D-UA-M8965-0-0		Z0610C.PLS		23				
			[M]									
			[N]									

*THIS DRAWING AND SPECIFICATIONS HEREIN, ARE THE PROPERTY OF DIGITAL EQUIPMENT CORPORATION AND SHALL NOT BE REPRODUCED OR COPIED OR USED IN WHOLE OR IN PART AS THE BASIS FOR THE MANUFACTURE OR SALE OF ITEMS WITHOUT WRITTEN PERMISSION. COPYRIGHT (C) 1979. DIGITAL EQUIPMENT CORPORATION *



1978

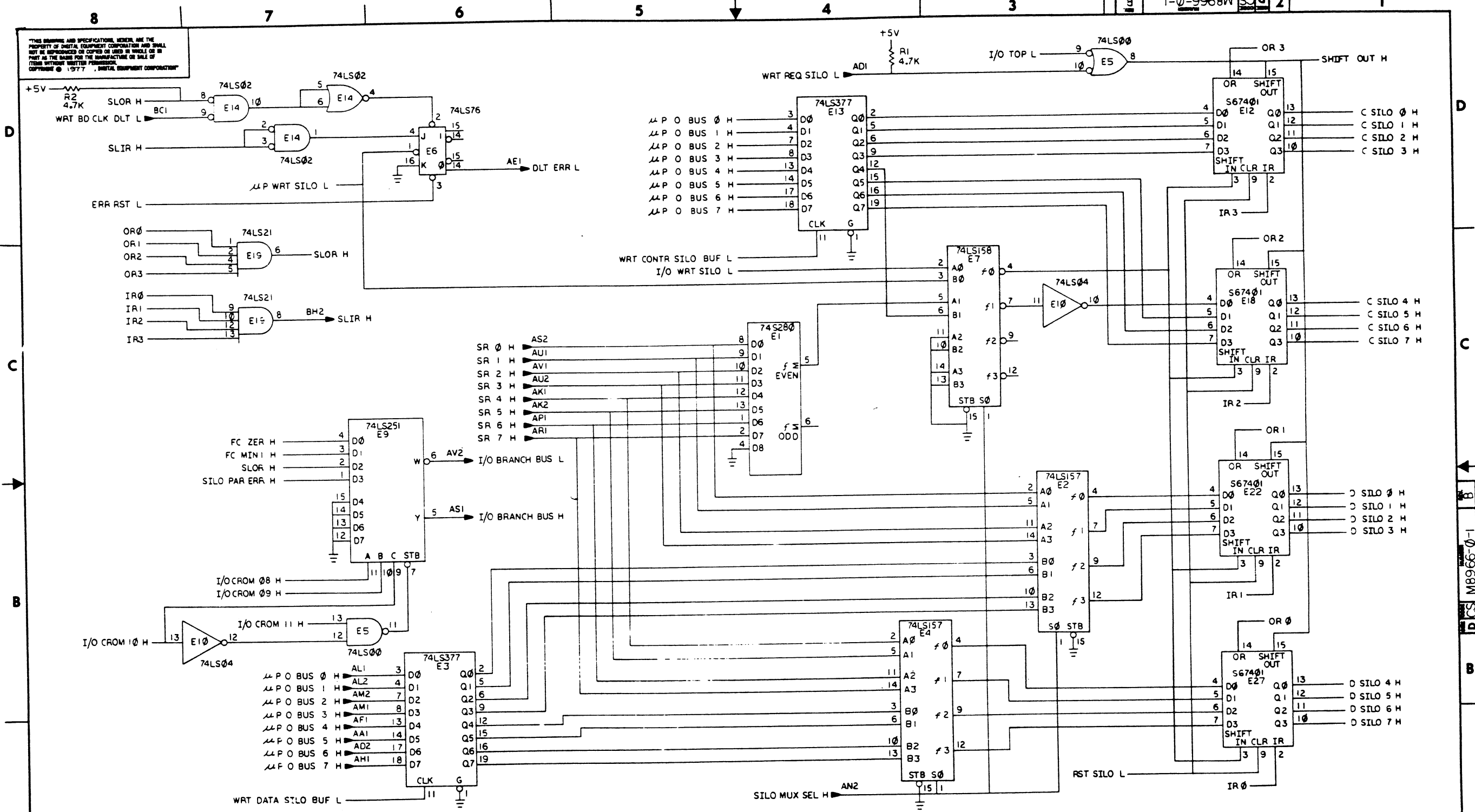
0-0-9968M UA

SIGNATURES		DATE	digital	
DRM.	<i>[Signature]</i>	6-12-78		
CHK'D.	<i>[Signature]</i>	10 JUN 78		
ENG.	<i>[Signature]</i>	7-13-78		
PROJ. ENG.	<i>[Signature]</i>	7-13-78	TITLE	
PROD.	<i>[Signature]</i>	8-13-78	1/0 SECTION 2	
SCALE	2/1	SIZE CODE	NUMBER	REV
SHT.	1 OF 5	0 UA	M8966-0-0	6
NEXT HIGHER ASSY. 8-00-M8966-0				

CHANGE NO	REV	DATE	BY
1	B		
2	C		
3			
4			
5			
6			
7			
8			

NOTES:

THIS DRAWING AND SPECIFICATIONS HEREIN ARE THE PROPERTY OF DIGITAL EQUIPMENT CORPORATION AND SHALL NOT BE REPRODUCED OR COPIED OR USED IN WHOLE OR IN PART AS THE BASIS FOR THE MANUFACTURE OR SALE OF ITEMS WITHOUT WRITTEN PERMISSION. COPYRIGHT © 1977, DIGITAL EQUIPMENT CORPORATION

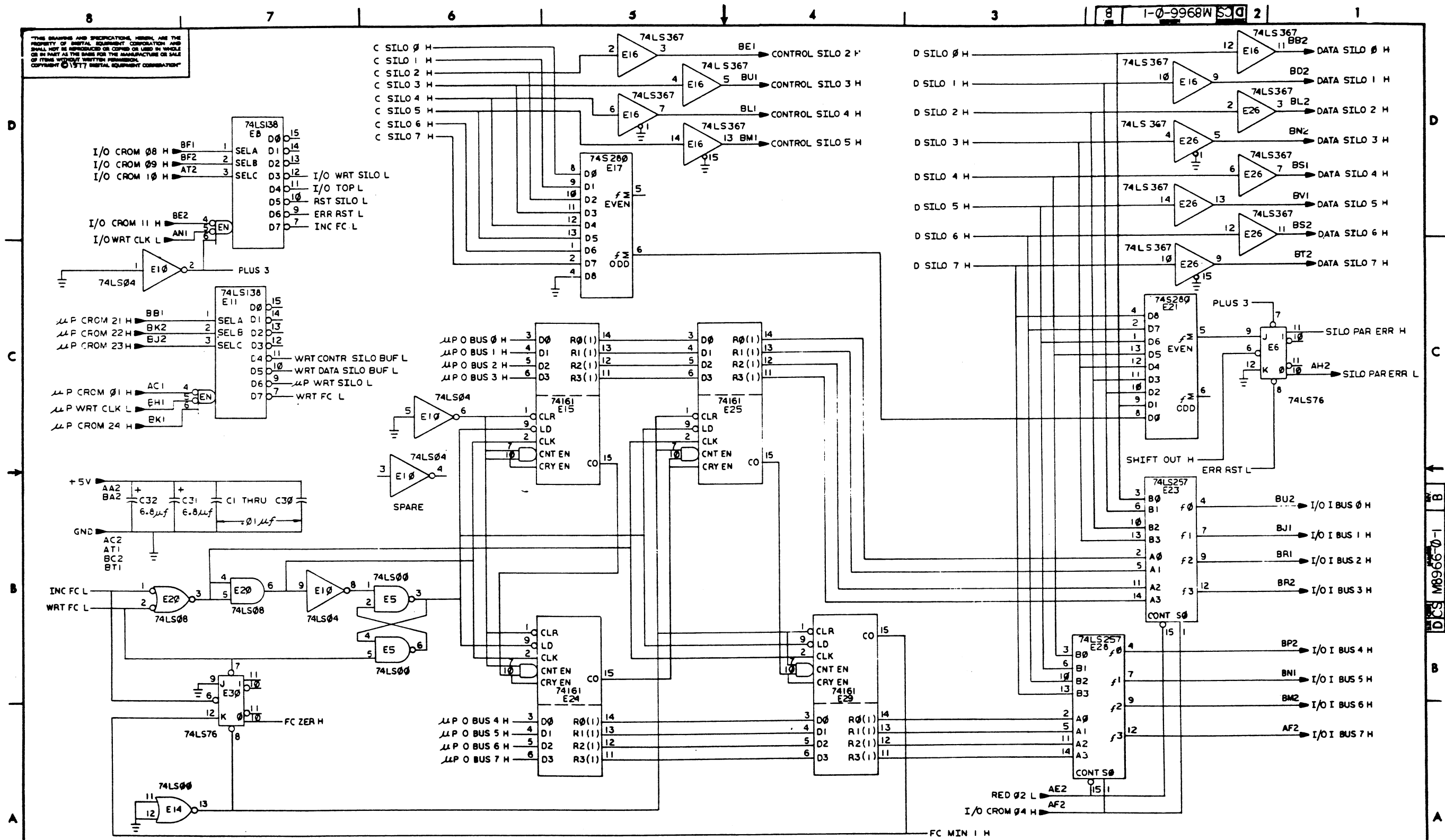


REV.	CHG.	BY	DATE
1		PAUL KINZELMAN	10/27/77
2		B. KRASNICK	10/27/77
3		B. KRASNICK	10/27/77

DRN. 1-0-9968W	FIRST USED ON
CHK'D. 1/2/78	TITLE
ENG. H. F. ...	I/O SECTION 2
PROD. ...	
NEXT HIGHER ASSY.	
8-00-M8966-0	SIZE CODE
SCALE NONE	D CS M8966-0-1
SHEET 1 OF 2	REV. C

THIS DRAWING AND SPECIFICATIONS HEREIN ARE THE PROPERTY OF METAL EQUIPMENT CORPORATION AND SHALL NOT BE REPRODUCED OR COPIED OR USED IN WHOLE OR IN PART AS THE BASIS FOR THE MANUFACTURE OR SALE OF ITEMS WITHOUT WRITTEN PERMISSION. COPYRIGHT © 1977 METAL EQUIPMENT CORPORATION

1-0-9968W S.D. 2



DCS M8966-0-1

CHK	CHANGE NO.	REV.
	M8966 ML001	B
DRS		03-178
ENG	KINZELMAN	

TITLE I/O SECTION 2		SCALE NONE	SHEET 2 OF 2	DIST.
NUMBER DCS M8966-0-1		REV. C		

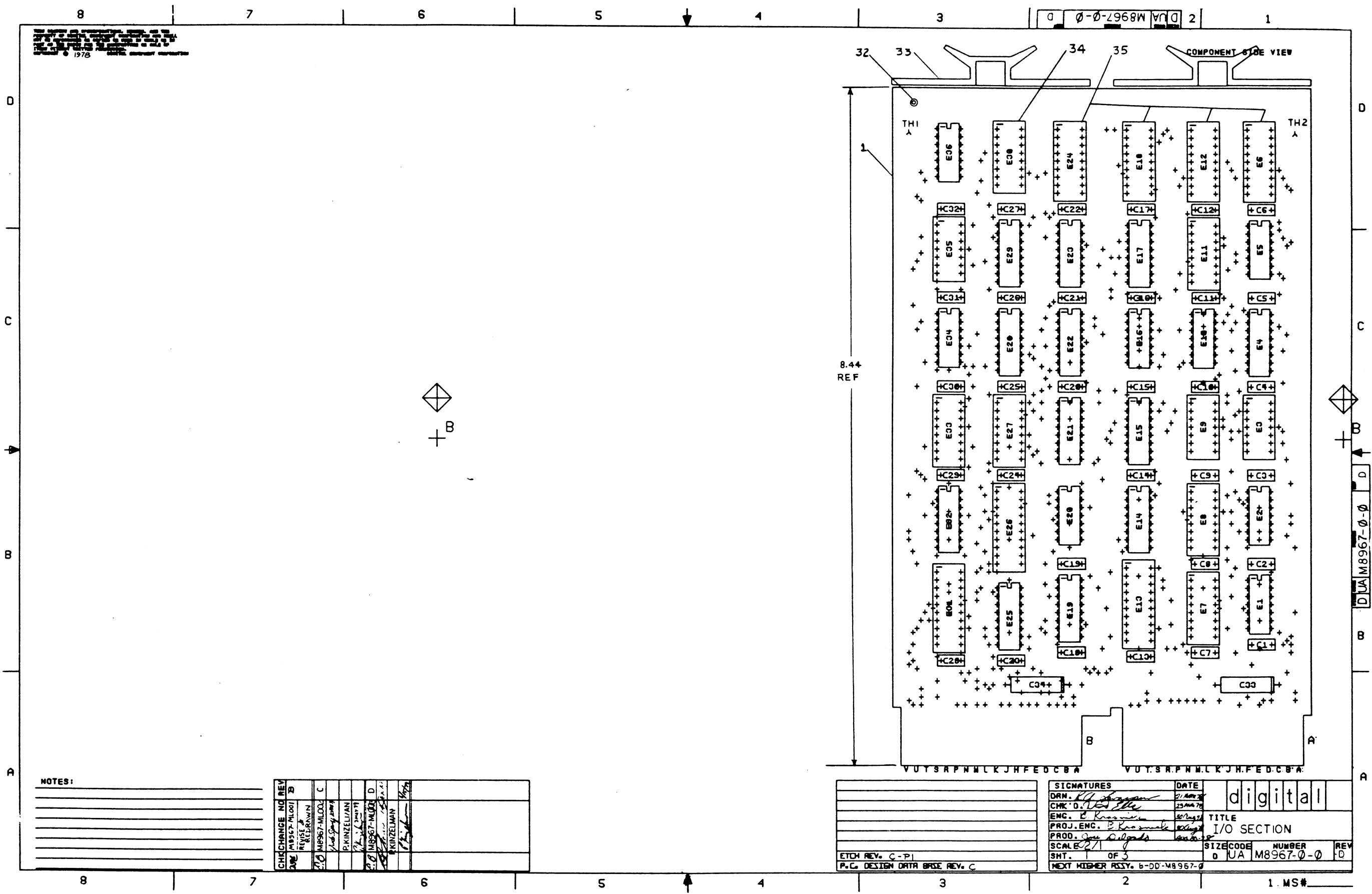
LINE	ITEM	DOCUMENT NUMBER	PART NUMBER	DESCRIPTION	QTY PER VARIATION 00	REFERENCE DESIGNATOR
1	1		5012886-00	M8966	1	
2	2		1001610-00	.01 MFD 50V -20+80 Z5U AXIAL	30	C1-C30
3	3		1005306-00	6.8MFD 35V 10% S.TANT	2	C31,C32
4	4		1910650-00	74161 COUNTER, SYNCHR. UP	4	E15,E24,E25,E29
5	5		1912647-00	LS257 MUX 1 OF 2 (QUAD)	2	E23,E28
6	6		1912648-00	LS251 MUX 8 INPUT, TRI-STA	1	E9
7	7		1912801-00	LS02 NOR-GATE-QUAD 2IN	1	E14
8	8		1912825-00	LS76 FF-JK DUAL W/PRESET	2	E6,E30
9	9		1912847-00	LS157 MUX 1 OF 2 (QUAD)	2	E2,E4
10	10		1912872-00	LS377 FF-D 8BIT W/ENABLE	2	E3,E13
11	11		1914768-01	FIFO, SLOW (67401)	4	E12,E18,E22,E27
12	12		1911573-00	74S280 PARITY GEN/CHKR, 9BIT	3	E1,E17,E21
13	13		1912799-00	LS00 NAND-GATE-QUAD 2IN,P	1	E5
14	14		1912803-00	LS04 INVERTER GATE-HEX 1I	1	E10
15	15		1912805-00	LS08 AND GATE-QUAD 2IN,PO	1	E20
16	16		1912842-00	LS138 DECODER-THREE INPUT,	2	E8,E11
17	17		1912848-00	LS158 MUX 1 OF 2 (QUAD)	1	E7
18	18		1912811-00	LS21 AND GATE-DUAL 4IN,PO	1	E19
19	19		9006732-00	EYELET, ROLLED FLANGE, .121 OD X	4	
20	20		9008337-06	HANDLE, FLIP CHIP, MAGENTA	2	
21	21		1300447-00	4.7 K 1/4W 5% CC	2	R1,R2
22	22		1913471-00	LS367 DRIVER, BUS, HEX, TRI-	2	E16,E26

REVISION HISTORY		BASIC PART NO: M8966		DRN:	H.WEINBRENNER	DATE:	29-AUG-78	D I G I T A L			
ENG	ECO NUMBER	REV	SECTION A OF A	CHK'D:	W.CASSIDY	DATE:	29-AUG-78	TITLE		PARTS LIST	
	INIT	A	SECTION VARIATION INDEX	DES.ENG:	B.KRASNICK	DATE:	29-AUG-78	I/O SECTION 2			
ER	ML001	B	[A] 00	RESP.ENG.:	B.KRASNICK	DATE:	29-AUG-78	DOCUMENT NUMBER			
BK	M8966-ML002	C	[B]	MFG.ENG.:	P.BARTON	DATE:	29-AUG-78	SIZE	CODE	NUMBER	REV
			[C]	ASSEMBLY NUMBER:		TOP DOCUMENT NUMBER:		K	PL	M8966-0-DBP	C
			[D]	D-UA-M8966-0-0		TS04				FILE NAME:	EDIT #
			[E]							Z0950C.PLS	9
			[F]								
			[G]								
			[H]								
			[I]								
			[J]								
			[K]								
			[L]								
			[M]								
			[N]								

*THIS DRAWING AND SPECIFICATIONS HEREIN, ARE THE PROPERTY OF DIGITAL EQUIPMENT CORPORATION AND SHALL NOT BE REPRODUCED OR COPIED OR USED IN WHOLE OR IN PART AS THE BASIS FOR THE MANUFACTURE OR SALE OF ITEMS WITHOUT WRITTEN PERMISSION. COPYRIGHT (C) 1979. DIGITAL EQUIPMENT CORPORATION *

THIS DRAWING AND ANY INFORMATION CONTAINED HEREIN ARE THE PROPERTY OF THE UNITED STATES GOVERNMENT AND ARE TO BE REPRODUCED AND TRANSMITTED IN ANY FORM AND BY ANY MEANS, ELECTRONIC OR MECHANICAL, INCLUDING PHOTOCOPYING, RECORDING, OR BY ANY INFORMATION STORAGE AND RETRIEVAL SYSTEM, WITHOUT PERMISSION IN WRITING FROM THE UNITED STATES GOVERNMENT.

0 0-0-2968M 2



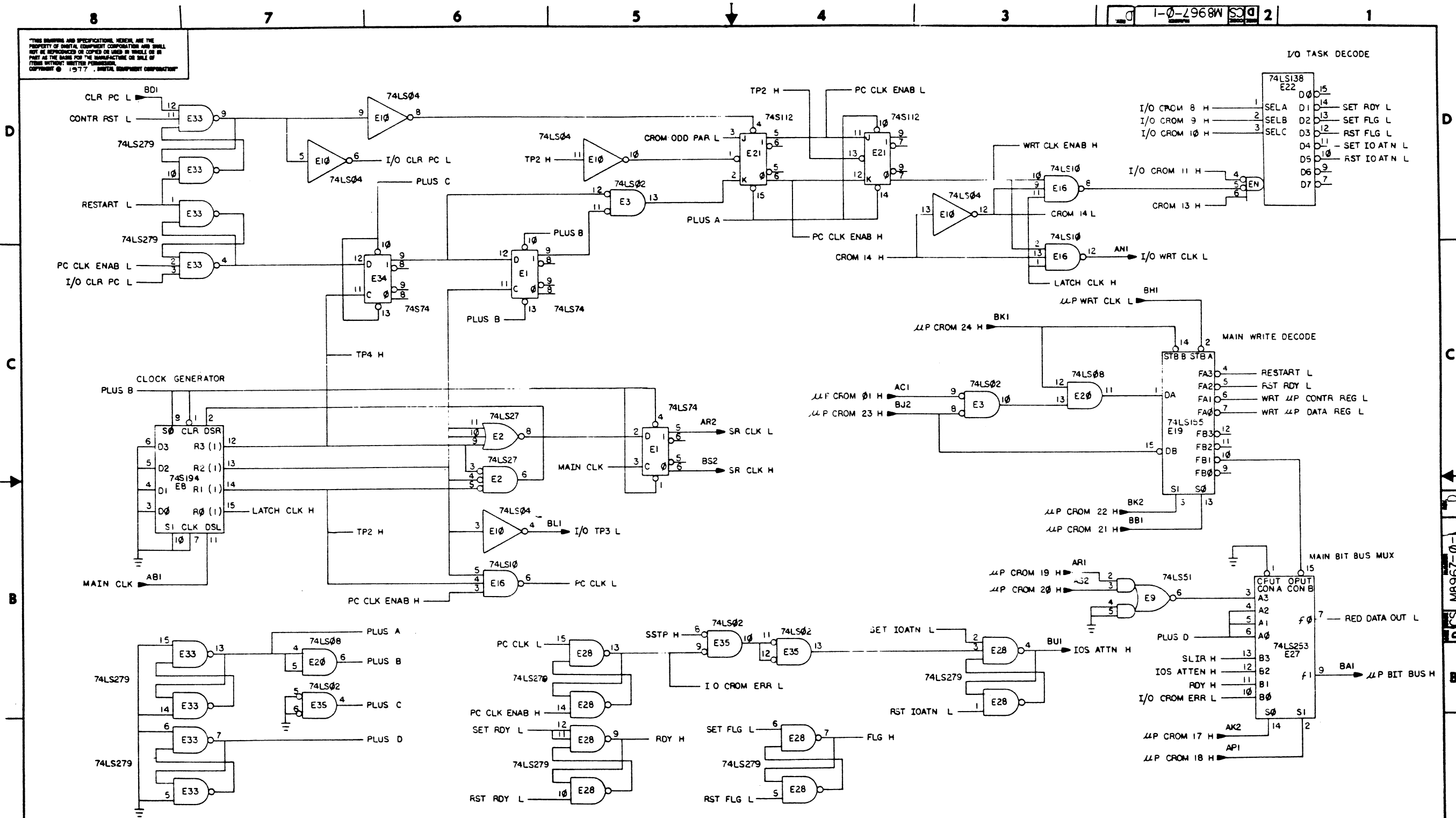
NOTES:

CHANGE NO	REV	DATE	BY	CHK

ETCH REV. C-PI
P.C. DESIGN DATA BRSE REV. C

SIGNATURES	DATE	TITLE
DRN. <i>[Signature]</i>	21 MAR 78	digital
CHK. D. <i>[Signature]</i>	25 MAR 78	I/O SECTION
ENC. <i>[Signature]</i>		
PROJ. ENC. <i>[Signature]</i>		
PROD. <i>[Signature]</i>		
SCALE 2/1		
SHT. 1 OF 3		
NEXT HIGHER ASSY. 6-DD-M8967-0		

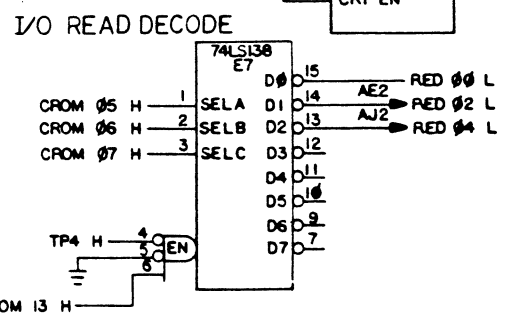
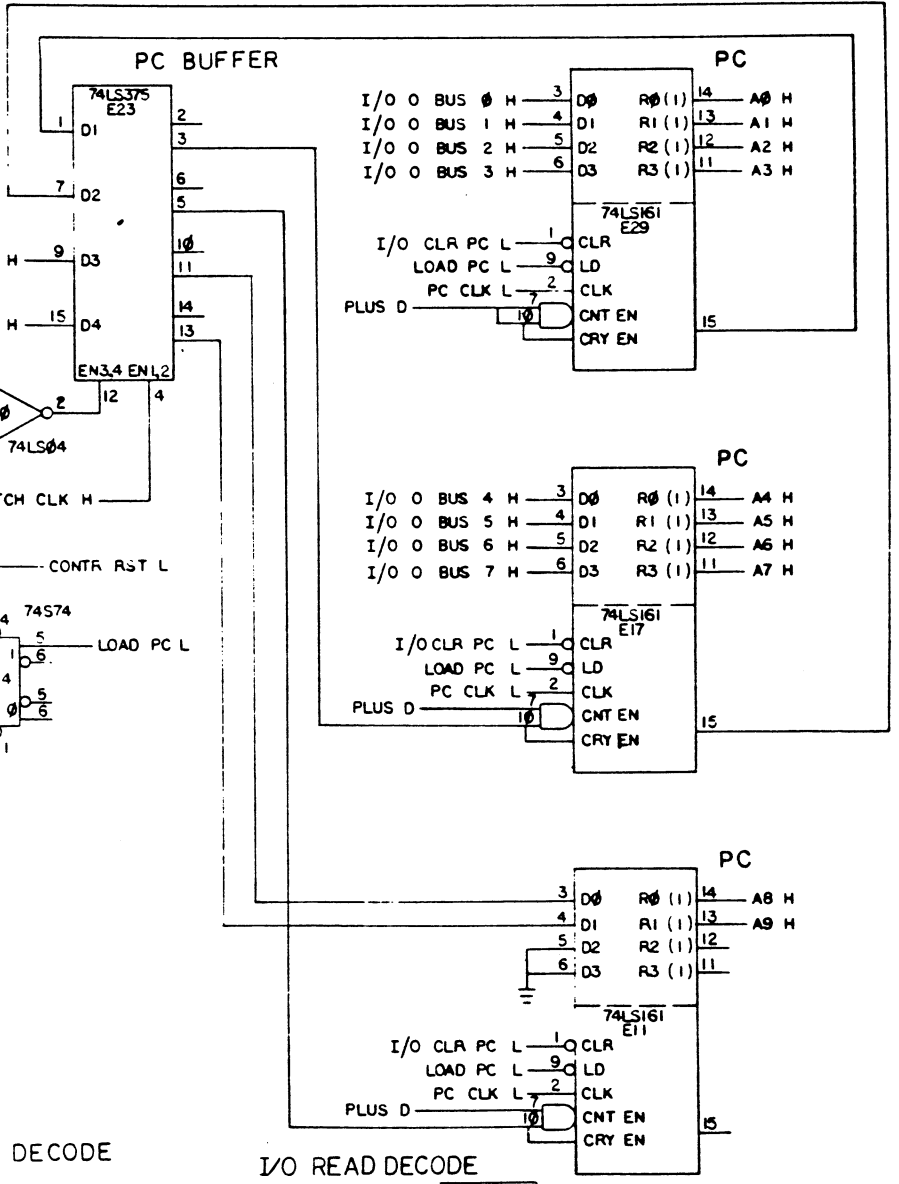
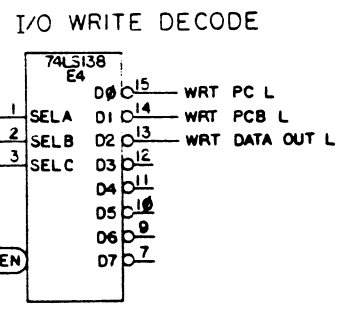
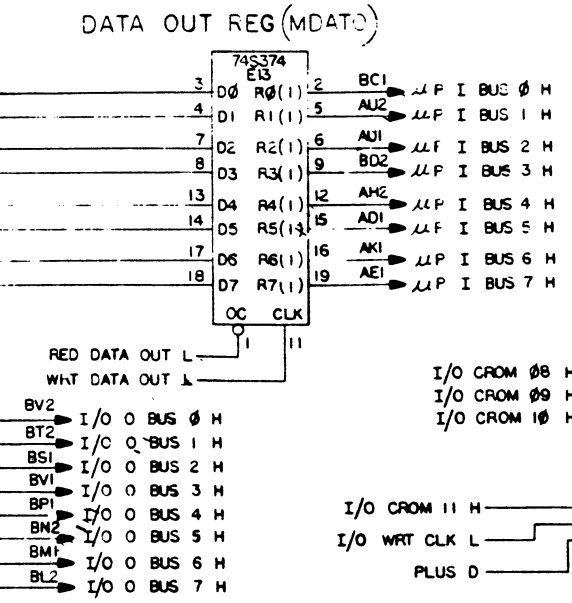
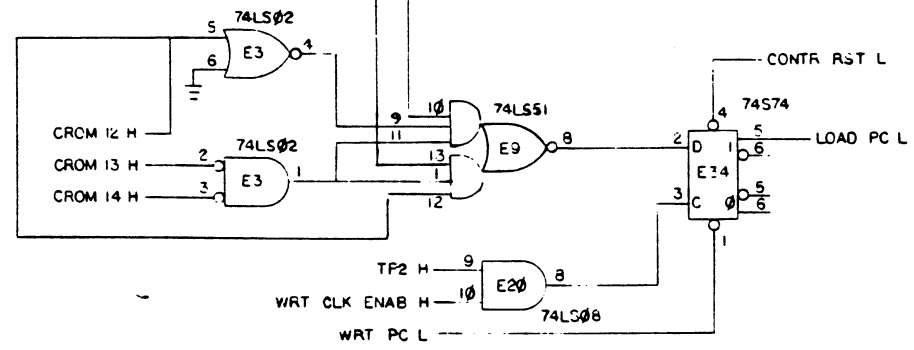
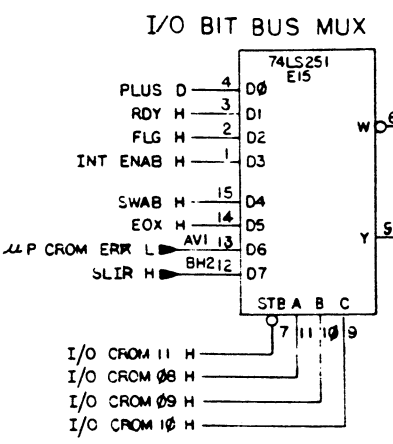
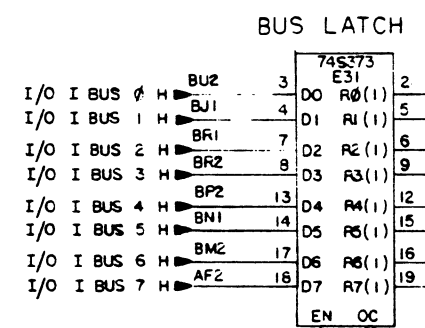
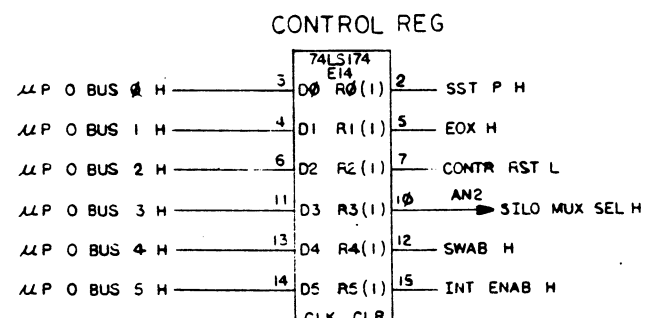
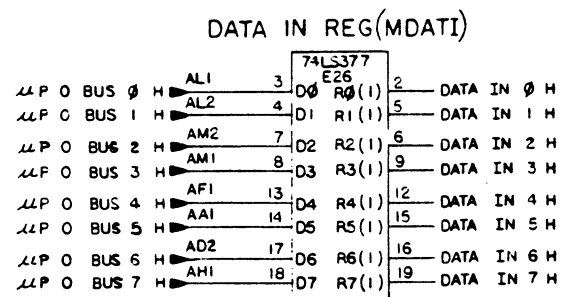
THIS DRAWING AND SPECIFICATIONS HEREBY ARE THE PROPERTY OF DIGITAL EQUIPMENT CORPORATION AND SHALL NOT BE REPRODUCED OR COPIED OR USED IN WHOLE OR IN PART AS THE BASIS FOR THE MANUFACTURE OR SALE OF ITEMS WITHOUT WRITTEN PERMISSION.
 COPYRIGHT © 1977, DIGITAL EQUIPMENT CORPORATION



REV	DATE	BY	CHKD	APP'D
1	11/17/77	B. KRASNAK		
2	11/17/77	P. KINZELMAN		
3	11/17/77	P. KINZELMAN		
4	11/17/77	P. KINZELMAN		
5	11/17/77	P. KINZELMAN		

DRN. <i>Jim Dangle</i>	11 NOV 77	FIRST USED ON	TS04
CHKD. <i>J. Talle</i>	11/17/77	TITLE	I/O SECTION 3
ENGR. <i>B. Krasnak</i>	11.3.77	SIZE	D
PROJ. ENGR. <i>B. Krasnak</i>	11.3.77	CODE	CS
PROD. <i>B. Krasnak</i>	11.3.77	NUMBER	M8967-0-1
NEXT HIGHER ASSY.		SCALE	NONE
B-DD-M8967-0		REV.	0
SHEET 1 OF 3		DIST.	

THIS DRAWING AND SPECIFICATIONS HEREIN ARE THE PROPERTY OF DIGITAL EQUIPMENT CORPORATION AND SHALL NOT BE REPRODUCED OR COPIED OR USED IN WHOLE OR IN PART AS THE BASIS FOR THE MANUFACTURE OR SALE OF ITEMS WITHOUT WRITTEN PERMISSION. COPYRIGHT © 1977 DIGITAL EQUIPMENT CORPORATION

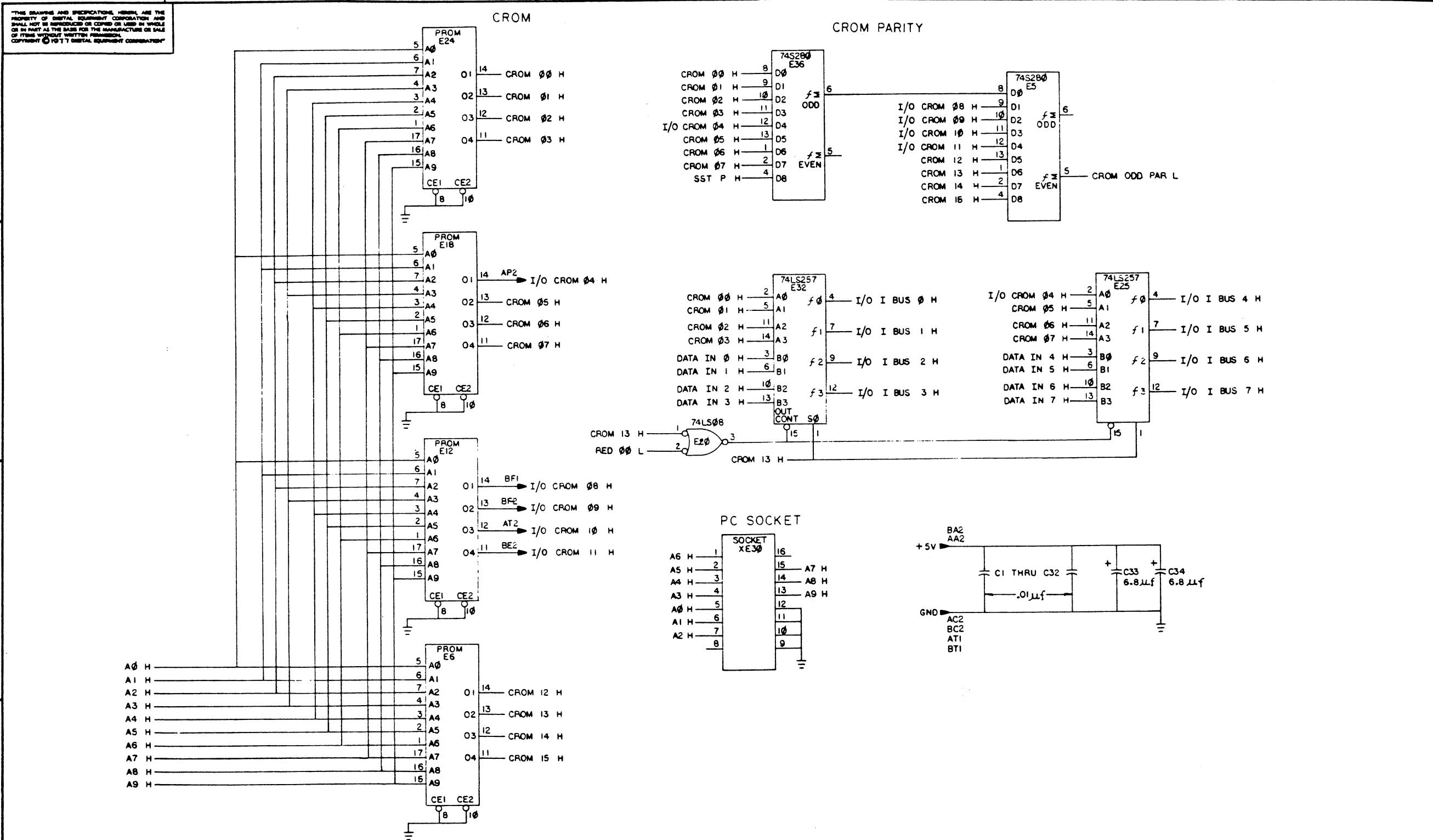


REVISIONS table with columns for CHK, CHANGE NO., and REV.

Metadata table with columns for TITLE (I/O SECTION 3), NUMBER (D CS M8967-0-1), and REV. (D).

D CS M8967-0-1

THIS DRAWING AND SPECIFICATIONS HEREIN ARE THE PROPERTY OF DIGITAL EQUIPMENT CORPORATION AND SHALL NOT BE REPRODUCED OR COPIED OR USED IN WHOLE OR IN PART AS THE BASIS FOR THE MANUFACTURE OR SALE OF ITEMS WITHOUT WRITTEN PERMISSION. COPYRIGHT © 1977 DIGITAL EQUIPMENT CORPORATION



REVISIONS		
CHK	CHANGE NO.	REV.

LINE	ITEM	DOCUMENT NUMBER	PART NUMBER	DESCRIPTION	QTY	PER VARIATION	REFERENCE DESIGNATOR
1	1	D-CS-M8967-0-1		CIRCUIT SCHEMATIC	REF		
2	2	B-DD-M8967-0-0		DRAWING DIRECTORY	REF		
3	3	D-UA-M8967-0-0		UNIT ASSEMBLY	REF		
4	4	D-MD-5012887-0-0		DRILL & ETCH DRAWING	REF		
5	5		5012887-00	M8967	1		
6	6		1001610-00	.01 MFD 50V +80-20% 25U CER	32		C1-C32
7	7		1005306-00	6.8MFD 35V 10% S.TANT	2		C33, C34
8	8		1912801-00	LS02 NOR-GATE-QUAD 2IN	2		E3, E35
9	9		1912803-00	74LS04 INVERTER GATE, HEX	1		E10
10	10		1912805-00	LS08 AND GATE-QUAD 2IN, PO	1		E20
11	11		1912807-00	LS10 NAND GATE-TRIPLE 3IN	1		E16
12	12		1912813-00	LS27 NOR GATE-TRIPLE 3IN	1		E2
13	13		1912820-00	LS51 A-0-1 GATE 2-WIDE 2I	1		E9
14	14		1912824-00	LS74 FF-D DUAL, EDGE TRIGG	1		E1
15	15		1912842-00	LS138 DECODER-THREE INPUT,	3		E4, E7, E22
16	16		1912846-00	LS155 DECODER, 2 OF 4 (DUAL)	1		E19
17	17		1912849-00	LS161 COUNTER, SYNCHR, 4BIT	3		E11, E17, E29
18	18		1912697-00	LS174 FF-D HEX W/CLEAR	1		E14
19	19		1912648-00	LS251 MUX 8 INPUT, TRI-STA	1		E15
20	20		1912646-00	LS253 MUX 1 OF 4 (DUAL)	1		E27
21	21		1912647-00	LS257 MUX 1 OF 2 (QUAD)	2		E25, E32
22	22		1912864-00	LS279 LATCH, QUAD-S-R	2		E28, E33
23	23		1912871-00	LS375 LATCH	1		E23
24	24		1912872-00	LS377 FF-D 8BIT W/ENABLE	1		E26
25	25		1910950-00	74S74 FF-D DUAL (-45 VERSI	1		E34
26	26		1910545-00	74S112 FF-JK DUAL, EDGE TRIG	1		E21
27	27		1910552-00	74S194 SHIFT REG., 4BIT RIGH	1		E8
28	28		1911573-00	74S280 PARITY GEN/CHKR, 9BIT	2		E5, E36
29	29		1913670-00	74S373 LATCH 8BIT TRASP TR	1		E31
30	30		1913671-00	74S374 FF-D OCTAL TRISTATE	1		E13

REVISION HISTORY			BASIC PART NO: M8967			DRN: WEINBRENNER			DATE: 22-AUG-78			D I G I T A L		
ENG:	ECO NUMBER	REV	SECTION A OF A			CHK'D: W. CASSIDY			DATE: 22-AUG-78			TITLE PARTS LIST		
---	00000	A	SECTION VARIATION INDEX			DATE: 22-AUG-78			I/O SECTION 3					
CL	ML001	B	[A]	00										
P.K.	M8967-ML002	C	[B]		DES. ENG: H. FINDEISEN			DATE: 22-AUG-78						
P.K.	M8967-ML003	D	[C]								DOCUMENT NUMBER			
			[D]		RESP. ENG.: H. FINDEISEN			DATE: 22-AUG-78			SIZE: CODE: NUMBER REV			
			[E]								K PL M8967-0-DBP D			
			[F]		MFG. ENG.: E. PINA			DATE: 22-AUG-78						
			[H]		ASSEMBLY NUMBER:			TOP DOCUMENT NUMBER:			FILE NAME: EDIT #			
			[J]		D-UA-M8967-0-0			TS04			Z03220.PLS 8			
			[K]											
			[L]											
			[M]											
			[N]											

"THIS DRAWING AND SPECIFICATIONS HEREIN, ARE THE PROPERTY OF DIGITAL EQUIPMENT CORPORATION AND SHALL NOT BE REPRODUCED OR COPIED OR USED IN WHOLE OR IN PART AS THE BASIS FOR THE MANUFACTURE OR SALE OF ITEMS WITHOUT WRITTEN PERMISSION. COPYRIGHT (C) 1981. DIGITAL EQUIPMENT CORPORATION"

AUTOMATED BY PRT,ST.2E(3)

P A R T S L I S T

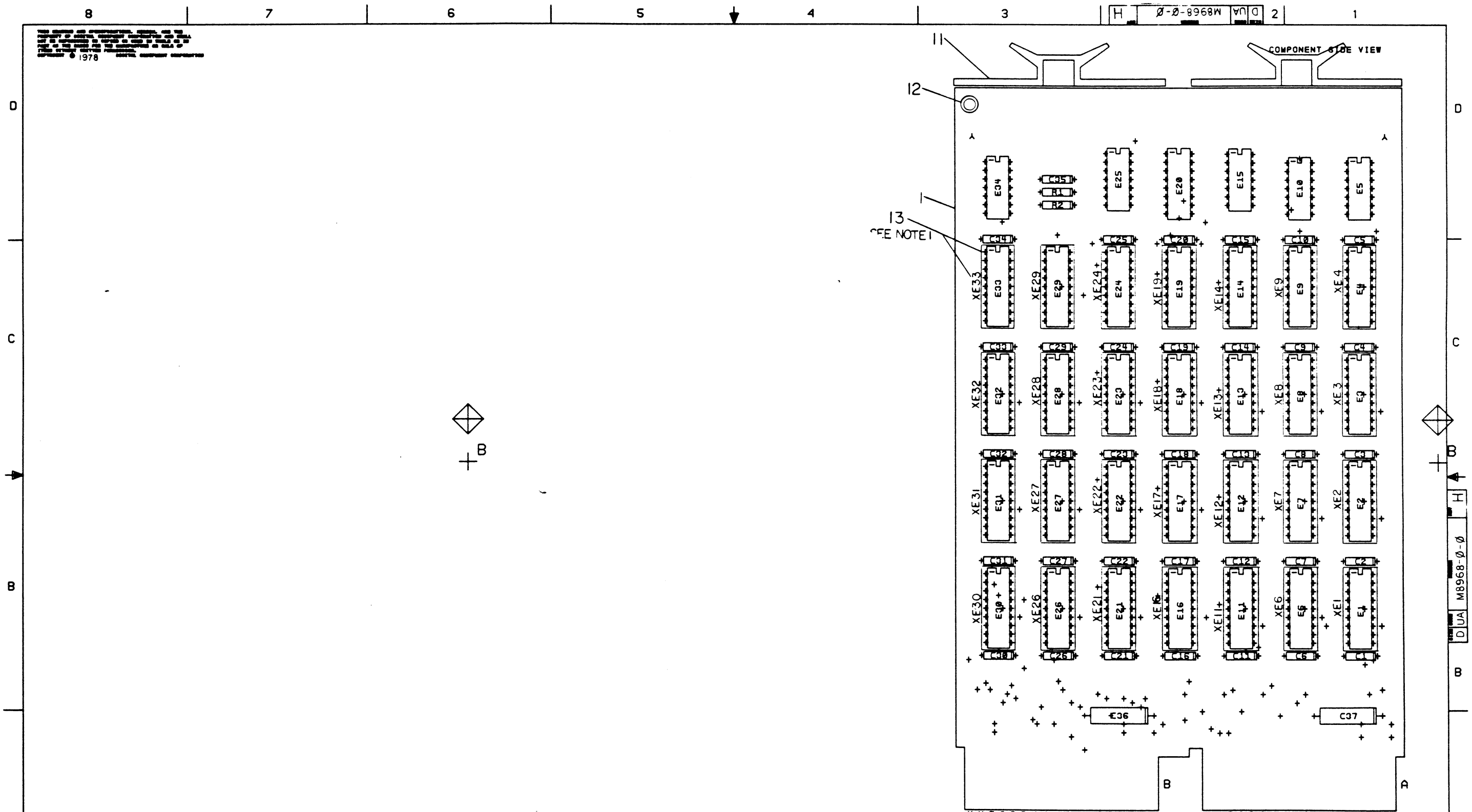
SHEET A2 OF A2

LINE	ITEM	DOCUMENT NUMBER	PART NUMBER	DESCRIPTION	QTY PER VARIATION	REFERENCE DESIGNATOR
31	31		23000F1-01	*** THIS ITEM IS NOT USED ***	-	
32	32		9006732-00	EYELET, ROLLED FLANGE, .121 OD X	4	
33	33		9008337-06	HANDLE, FLIP CHIP, MAGENTA	2	
34	34		1211813-02	SOCKET 16PIN IC LOW PROFILE,	1	E30
35	35		1211666-00	SOCKET 18PIN IC LOW PROFILE	4	XE6, XE12, XE18, XE24
36	36		23476F1-00	F1-01	1	E24
37	37		23477F1-00	F1-01	1	E18
38	38		23478F1-00	F1-01	1	E12
39	39		23479F1-00	F1-01	1	E6

D	I	G	I	T	A	L	TITLE	I/O SECTION 3	SECTION A OF A	SIZE	CODE	DOCUMENT NUMBER	REV
										K	PL	M8967-0-DBP	D

H 0-0-8968W VU D 2

1978



13
SEE NOTE 1

COMPONENT SIDE VIEW

VUTSRPNMLKJHFEDCBA VUTSRPNMLKJHFEDCBA

NOTES: 1. INSTALL ITEM 13, SOCKETS, BEFORE INSTALLING ITEM 15, ROMS.

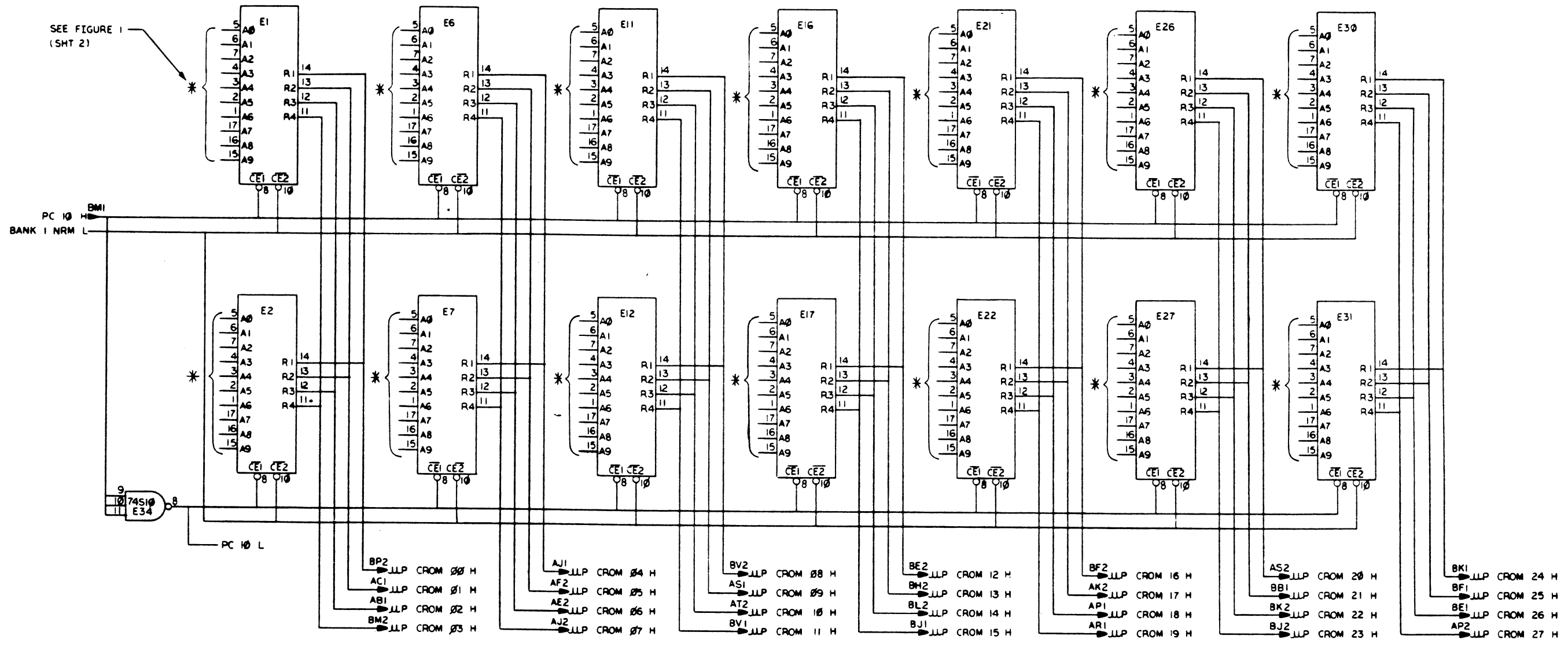
CHANGE NO	REV	DATE	BY
M8968-ML008	C	27 JUN 79	PAUL KINZELMAN
M8968-ML009	D	27 JUN 79	PAUL KINZELMAN
M8968-ML010	E	27 JUN 79	PAUL KINZELMAN
M8968-ML011	F	27 JUN 79	PAUL KINZELMAN
M8968-ML012	G	27 JUN 79	PAUL KINZELMAN
M8968-ML013	H	27 JUN 79	PAUL KINZELMAN
M8968-ML014	I	27 JUN 79	PAUL KINZELMAN
M8968-ML015	J	27 JUN 79	PAUL KINZELMAN
M8968-ML016	K	27 JUN 79	PAUL KINZELMAN
M8968-ML017	L	27 JUN 79	PAUL KINZELMAN
M8968-ML018	M	27 JUN 79	PAUL KINZELMAN
M8968-ML019	N	27 JUN 79	PAUL KINZELMAN
M8968-ML020	O	27 JUN 79	PAUL KINZELMAN
M8968-ML021	P	27 JUN 79	PAUL KINZELMAN
M8968-ML022	Q	27 JUN 79	PAUL KINZELMAN
M8968-ML023	R	27 JUN 79	PAUL KINZELMAN
M8968-ML024	S	27 JUN 79	PAUL KINZELMAN
M8968-ML025	T	27 JUN 79	PAUL KINZELMAN
M8968-ML026	U	27 JUN 79	PAUL KINZELMAN
M8968-ML027	V	27 JUN 79	PAUL KINZELMAN

ETCH REV. C
P.C. DESIGN DATA BASE REV. CL & CM

SIGNATURES	DATE	digital
DRN. <i>[Signature]</i>	7-11-70	
CHK'D. <i>[Signature]</i>	7-20-70	
ENG. <i>[Signature]</i>	7-13-70	
PROJ. ENG. <i>[Signature]</i>	7-13-70	
PROD. <i>[Signature]</i>	7-13-70	
SCALE 2/1		TITLE ROM EXTENSION BOARD
SHT. 1 OF 5		SIZE CODE NUMBER
NEXT HIGH-ER ASSY. 8-DD-M8968-0		d UA M8968-0-0 H

THE DESIGN AND SPECIFICATIONS HEREIN ARE THE PROPERTY OF DIGITAL EQUIPMENT CORPORATION AND SHALL NOT BE REPRODUCED OR COPIED OR USED IN WHOLE OR IN PART AS THE BASIS FOR THE MANUFACTURE OR SALE OF THIS EQUIPMENT WITHOUT THE WRITTEN PERMISSION OF DIGITAL EQUIPMENT CORPORATION.

SEE FIGURE 1 (SHT 21)



REV.	DATE	BY	CHKD.	DESCRIPTION
1	27 JUN 79	P. KINZELMAN		INITIAL DESIGN
2	27 JUN 79	P. KINZELMAN		REVISED FOR BOARD
3	27 JUN 79	P. KINZELMAN		REVISED FOR BOARD
4	27 JUN 79	P. KINZELMAN		REVISED FOR BOARD
5	27 JUN 79	P. KINZELMAN		REVISED FOR BOARD
6	27 JUN 79	P. KINZELMAN		REVISED FOR BOARD
7	27 JUN 79	P. KINZELMAN		REVISED FOR BOARD
8	27 JUN 79	P. KINZELMAN		REVISED FOR BOARD

OWN: <i>[Signature]</i>	FIRST USED ON: TS04	DIGITAL
CHKD: <i>[Signature]</i>	TITLE: ROM EXTENSION BOARD	
ENCL: <i>[Signature]</i>	SCALE: D CS	NUMBER: M8968-0-1
PROJ. ENGR: <i>[Signature]</i>	SIZE: 1 OF 2	REV: H
PROJ. PTEC: <i>[Signature]</i>	SHEET: 1 OF 2	
NEXT HIGHER ASSY:		

M8968-0-1

THIS DRAWING AND SPECIFICATIONS HEREIN ARE THE PROPERTY OF DIGITAL EQUIPMENT CORPORATION AND SHALL NOT BE REPRODUCED OR COPIED OR USED IN WHOLE OR IN PART AS THE BASIS FOR THE MANUFACTURE OR SALE OF ITEMS WITHOUT WRITTEN PERMISSION. COPYRIGHT © 1978 DIGITAL EQUIPMENT CORPORATION

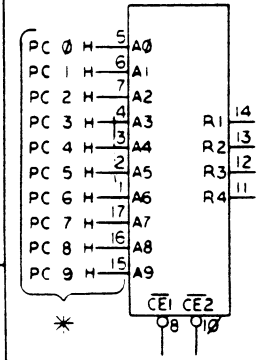
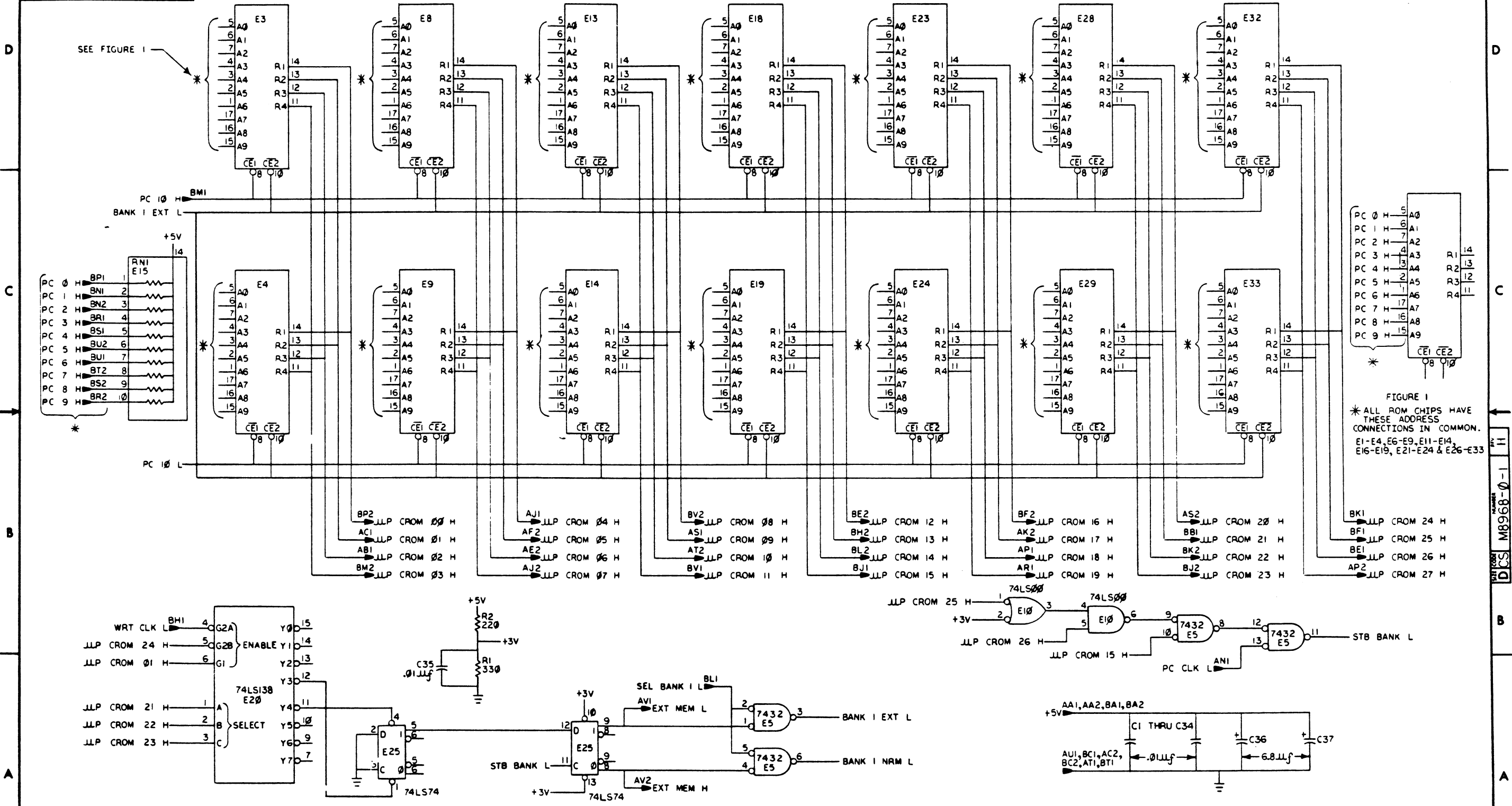


FIGURE 1
* ALL ROM CHIPS HAVE THESE ADDRESS CONNECTIONS IN COMMON. E1-E4, E6-E9, E11-E14, E16-E19, E21-E24 & E26-E33

REVISIONS		
CHK	CHANGE NO.	REV.

PARTS LIST

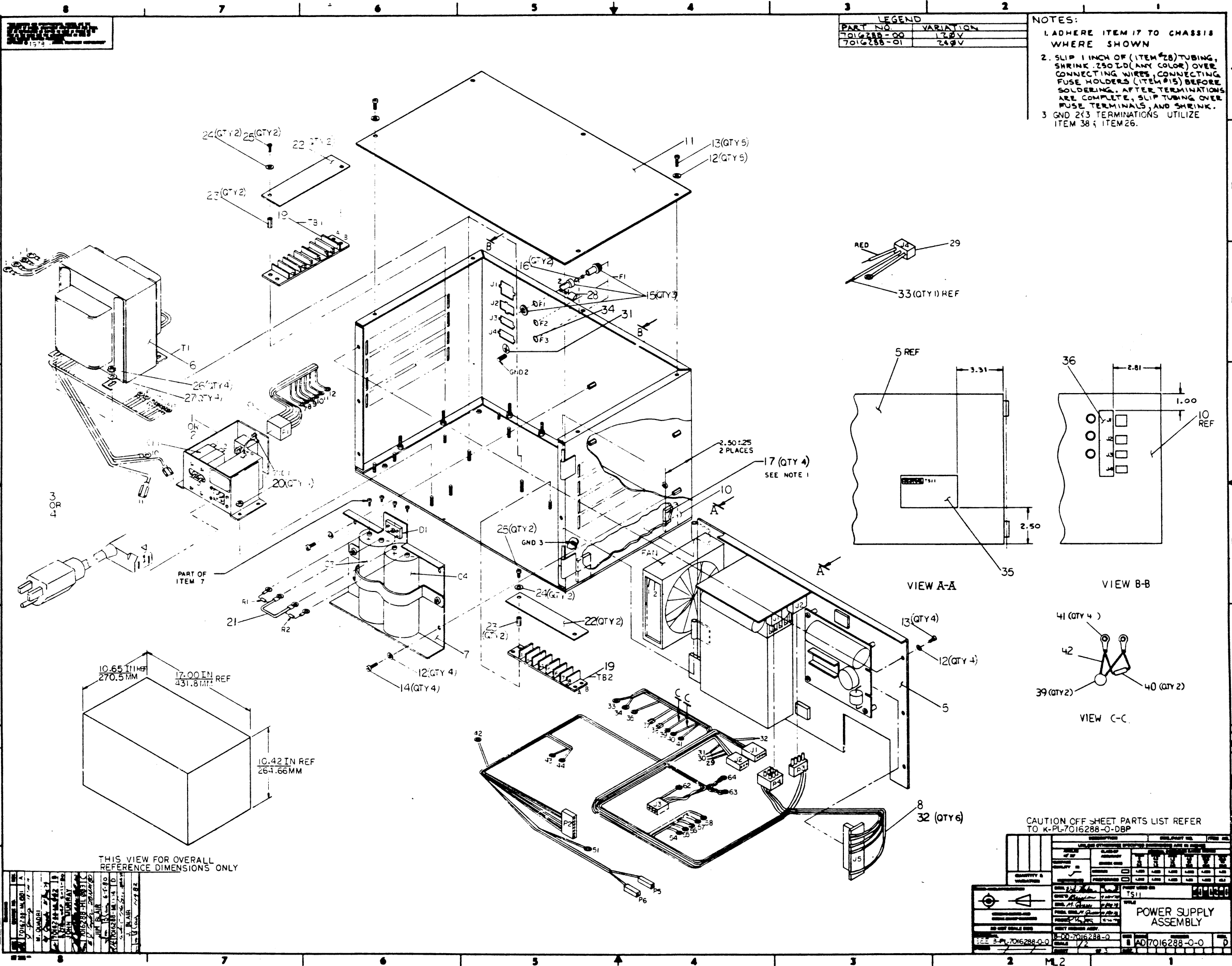
LINE ITEM	DOCUMENT NUMBER	PART NUMBER	DESCRIPTION	QTY PER VARIATION	REFERENCE DESIGNATOR
				00	
1	1	5013277-00	M8968	1	
2	2	1001610-00	.01 MFD 50V +80--20% Z5U CER	35	C1-C35
3	3	1005306-00	6.8MFD 35V 10% S.TANT	2	C36,C37
4	4	1300271-00	220.0 .25 W 5.0 % CC	1	R2
5	5	1300295-00	330.0 .25 W 5.0 % CC	1	R1
6	6	1300005-01	R NETWORK 13-1K 5.0 % 14PIN	1	E15
7	7	1911521-00	7432 OR GATE-QUAD 2IN, PD	1	E5
8	8	1912824-00	LS74 FF-D DUAL,EDGE TRIGG	1	E25
9	9	1912799-00	LS00 NAND-GATE-QUAD 2IN,P	1	E10
10	10	1912842-00	LS138 DECODER-THREE INPUT,	1	E20
11	11	9008337-06	HANDLE, FLIP CHIP, MAGENTA	2	
12	12	9006732-00	EYELET,ROLLED 0.1210DX0.219	4	
13	13	SEE NOTE	1211666-00 SKT,IC 18PIN DIP GOLD SOLD	28	CONT XE1-XE4,XE6-XE9,XE11-XE14, XE16-XE19,XE21-XE24,XE26-XE33 E34
14	14	1910536-00	74S10 NAND GATE-TRIPLE 3IN	1	
15	15	23403F1-00	*** THIS ITEM IS NOT USED ***	-	
16	16	23404F1-00	*** THIS ITEM IS NOT USED ***	-	
17	17	23405F1-00	F1-01	1	E11
18	18	23406F1-00	F1-01	1	E16
19	19	23407F1-00	F1-01	1	E21
20	20	23408F1-00	F1-01	1	E26
21	21	23409F1-00	*** THIS ITEM IS NOT USED ***	-	
22	22	23813F1-00	*** THIS ITEM IS NOT USED ***	-	
23	23	23658F1-00	F1-01	1	E7
24	24	23659F1-00	F1-01	1	E12
25	25	23660F1-00	F1-01	1	E17
26	26	23661F1-00	F1-01	1	E22
27	27	23662F1-00	F1-01	1	E27
28	28	23814F1-00	*** THIS ITEM IS NOT USED ***	-	
29	29	23417F1-00	*** THIS ITEM IS NOT USED ***	-	

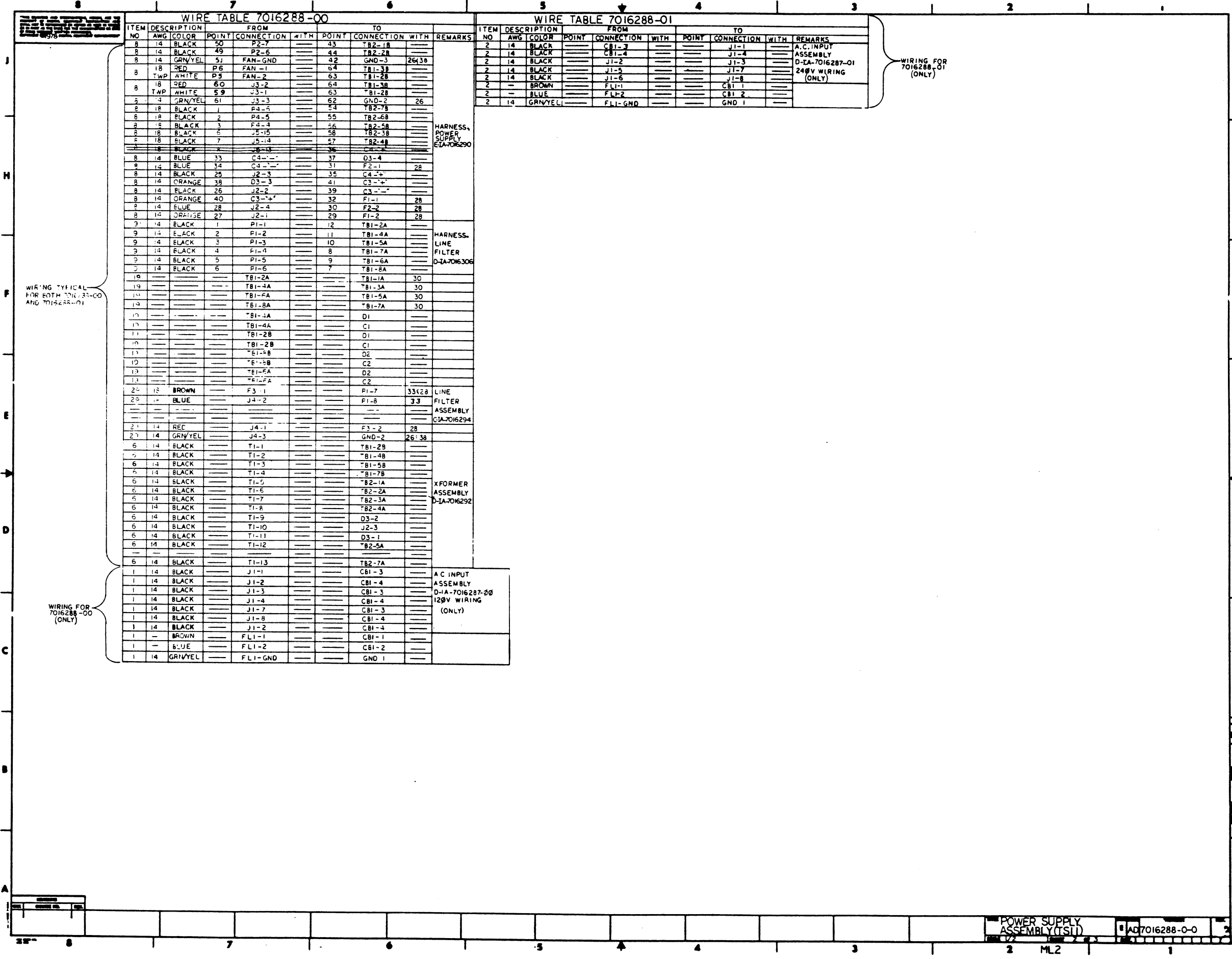
REVISION HISTORY			BASIC PART NO: M8968	DRN: R.WALDIE	DATE: 01-MAR-78	DIGITAL			
ENG	ECO NUMBER	REV	SECTION A OF A	CHK'D: R.ODOM	DATE: 01-MAR-78	TITLE PARTS LIST			
---	INIT	B	SECTION,VARIATION INDEX	DES.ENG: R.ODOM	DATE: 01-MAR-78	ROM EXTENSION BD			
P.K	M8968-ML001	C	[A] 00	RESP.ENG.: R.ODOM	DATE: 01-MAR-78	SIZE	CODE	NUMBER	REV
PK	M8968-ML002	D	[B]	MFG.ENG.: F.BARTON	DATE: 01-MAR-78	K	PL	M8968-0-DBP	H
PK	M8968-ML003	E	[C]	ASSEMBLY NUMBER:	TOP DOCUMENT NUMBER:	FILE NAME:		EDIT #	
PK	M8968-ML004	F	[D]	D-UA-M8968-0-0	TS04	Z0597H.PLS		23	
RN	M8968-ML005	H	[E]						
			[F]						
			[G]						
			[H]						
			[I]						
			[J]						
			[K]						
			[L]						
			[M]						
			[N]						

*THIS DRAWING AND SPECIFICATIONS HEREIN, ARE THE PROPERTY OF DIGITAL EQUIPMENT CORPORATION AND SHALL NOT BE REPRODUCED OR COPIED OR USED IN WHOLE OR IN PART AS THE BASIS FOR THE MANUFACTURE OR SALE OF ITEMS WITHOUT WRITTEN PERMISSION. COPYRIGHT (C) 1982. DIGITAL EQUIPMENT CORPORATION * ML2

LINE	ITEM	DOCUMENT NUMBER	PART NUMBER	DESCRIPTION	QTY PER VARIATION 00	REFERENCE DESIGNATOR
30	30		23611F1-00	*** THIS ITEM IS NOT USED ***	-	
31	31		23419F1-00	*** THIS ITEM IS NOT USED ***	-	
32	32		23420F1-00	*** THIS ITEM IS NOT USED ***	-	
33	33		23421F1-00	*** THIS ITEM IS NOT USED ***	-	
34	34		23422F1-00	*** THIS ITEM IS NOT USED ***	-	
35	35		23612F1-00	*** THIS ITEM IS NOT USED ***	-	
36	36		23424F1-00	*** THIS ITEM IS NOT USED ***	-	
37	37		23613F1-00	*** THIS ITEM IS NOT USED ***	-	
38	38		23426F1-00	*** THIS ITEM IS NOT USED ***	-	
39	39		23427F1-00	*** THIS ITEM IS NOT USED ***	-	
40	40		23428F1-00	*** THIS ITEM IS NOT USED ***	-	
41	41		23429F1-00	*** THIS ITEM IS NOT USED ***	-	
42	42		23614F1-00	*** THIS ITEM IS NOT USED ***	-	
43	43		23989F1-00	F1-01	1	E1
44	44		23990F1-00	F1-01	1	E6
45	45		23991F1-00	F1-01	1	E30
46	46		23992F1-00	F1-01	1	E2
47	47		23993F1-00	F1-01	1	E31
48	48		23994F1-00	F1-01	1	E3
49	49		23995F1-00	F1-01	1	E8
50	50		23996F1-00	F1-01	1	E13
51	51		23997F1-00	F1-01	1	E18
52	52		23998F1-00	F1-01	1	E23
53	53		23999F1-00	F1-01	1	E28
54	54		23E01F1-00	F1-01	1	E32
55	55		23E02F1-00	F1-01	1	E4
56	56		23E03F1-00	F1-01	1	E9
57	57		23E04F1-00	F1-01	1	E14
58	58		23E05F1-00	F1-01	1	E19
59	59		23E06F1-00	F1-01	1	E24
60	60		23E07F1-00	F1-01	1	E29
61	61		23E08F1-00	F1-01	1	E33

DI	GI	IT	AL	TITLE	SECTION A OF A	SIZE	CODE	DOCUMENT NUMBER	REV
				ROM EXTENSION BD				M8968-0-DBP	H





WIRE TABLE 7016288-00

WIRE TABLE 7016288-01

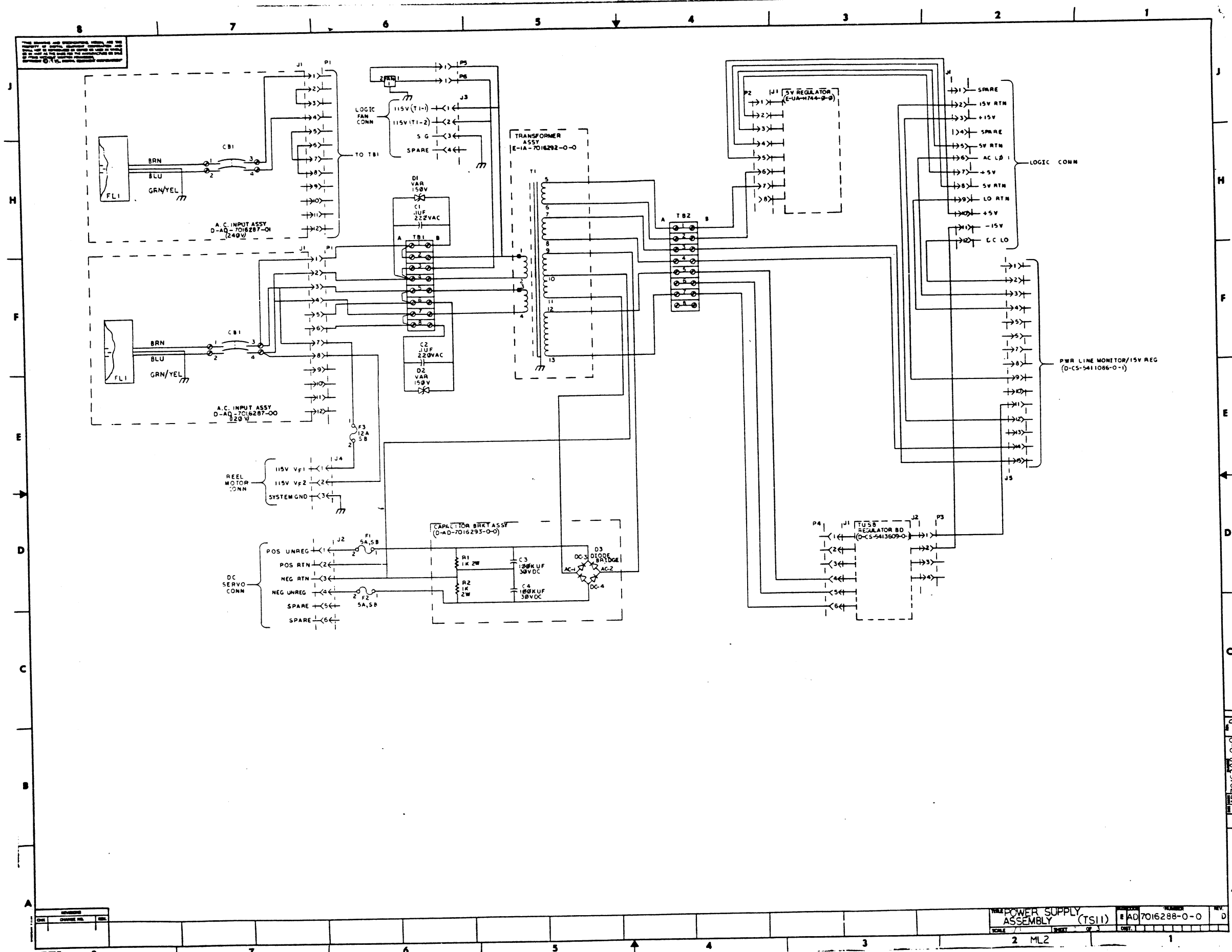
ITEM NO	DESCRIPTION		FROM			TO			REMARKS
	AWG	COLOR	POINT	CONNECTION	WITH	POINT	CONNECTION	WITH	
8	14	BLACK	50	P2-7		43	TB2-1B		
8	14	BLACK	49	P2-6		44	TB2-2A		
8	14	GRN/YEL	51	FAN-GND		42	GND-3	26(38)	
8	18	RED	P6	FAN-1		64	TB1-3B		
8	TWP	WHITE	P9	FAN-2		63	TB1-2B		
8	18	RED	60	J3-2		64	TB1-3B		
8	TWP	WHITE	59	J3-1		63	TB1-2B		
8	14	GRN/YEL	61	J3-3		62	GND-2	26	
8	18	BLACK	1	P4-5		54	TB2-7B		
8	18	BLACK	2	P4-5		55	TB2-6B		
8	18	BLACK	3	P4-4		56	TB2-5B		
8	18	BLACK	6	J5-15		58	TB2-3B		
8	18	BLACK	7	J5-14		57	TB2-4B		
8	14	BLUE	33	C4-1		37	D3-4		
8	14	BLUE	34	C4-2		31	F2-1	28	
8	14	BLACK	25	J2-3		35	C4-3		
8	14	ORANGE	38	D3-3		41	C3-3		
8	14	BLACK	26	J2-2		39	C3-2		
8	14	ORANGE	40	C3-4		32	F1-1	28	
8	14	BLUE	28	J2-4		30	F2-2	28	
8	14	ORANGE	27	J2-1		29	F1-2	28	
9	14	BLACK	1	P1-1		12	TB1-2A		
9	14	BLACK	2	P1-2		11	TB1-4A		
9	14	BLACK	3	P1-3		10	TB1-5A		
9	14	BLACK	4	P1-4		8	TB1-7A		
9	14	BLACK	5	P1-5		9	TB1-6A		
9	14	BLACK	6	P1-6		7	TB1-8A		
18				TB1-2A			TB1-1A	30	
19				TB1-4A			TB1-3A	30	
19				TB1-6A			TB1-5A	30	
19				TB1-8A			TB1-7A	30	
17				TB1-3A			D1		
17				TB1-4A			C1		
17				TB1-2B			D1		
19				TB1-2B			C1		
17				TB1-4B			D2		
19				TB1-5B			C2		
17				TB1-6A			D2		
17				TB1-7A			C2		
20	12	BROWN		F3-1			P1-7	33(28)	LINE FILTER ASSEMBLY GJA-7016294
20	14	BLUE		J4-2			P1-8	33	
21	14	RED		J4-1			F3-2	28	
27	14	GRN/YEL		J4-3			GND-2	26(38)	
6	14	BLACK		T1-1			TB1-2B		
6	14	BLACK		T1-2			TB1-4B		
6	14	BLACK		T1-3			TB1-5B		
6	14	BLACK		T1-4			TB1-7B		
6	14	BLACK		T1-5			TB2-1A		
6	14	BLACK		T1-6			TB2-2A		
6	14	BLACK		T1-7			TB2-3A		
6	14	BLACK		T1-8			TB2-4A		
6	14	BLACK		T1-9			D3-2		
6	14	BLACK		T1-10			J2-3		
6	14	BLACK		T1-11			D3-1		
6	14	BLACK		T1-12			TB2-5A		
6	14	BLACK		T1-13			TB2-7A		
1	14	BLACK		J1-1			CBI-3		A.C. INPUT ASSEMBLY D-1A-7016287-00 120V WIRING (ONLY)
1	14	BLACK		J1-2			CBI-4		
1	14	BLACK		J1-3			CBI-3		
1	14	BLACK		J1-4			CBI-4		
1	14	BLACK		J1-7			CBI-3		
1	14	BLACK		J1-8			CBI-4		
1	14	BLACK		J1-2			CBI-4		
1	14	BROWN		FL1-1			CBI-1		
1	14	BLUE		FL1-2			CBI-2		
1	14	GRN/YEL		FL1-GND			GND 1		

ITEM NO	DESCRIPTION		FROM			TO			REMARKS
	AWG	COLOR	POINT	CONNECTION	WITH	POINT	CONNECTION	WITH	
2	14	BLACK		CBI-3			J1-1		
2	14	BLACK		CBI-4			J1-4		
2	14	BLACK		J1-2			J1-3		
2	14	BLACK		J1-5			J1-7		
2	14	BLACK		J1-6			J1-8		
2	14	BROWN		FL1-1			CBI-1		
2	14	BLUE		FL1-2			CBI-2		
2	14	GRN/YEL		FL1-GND			GND 1		

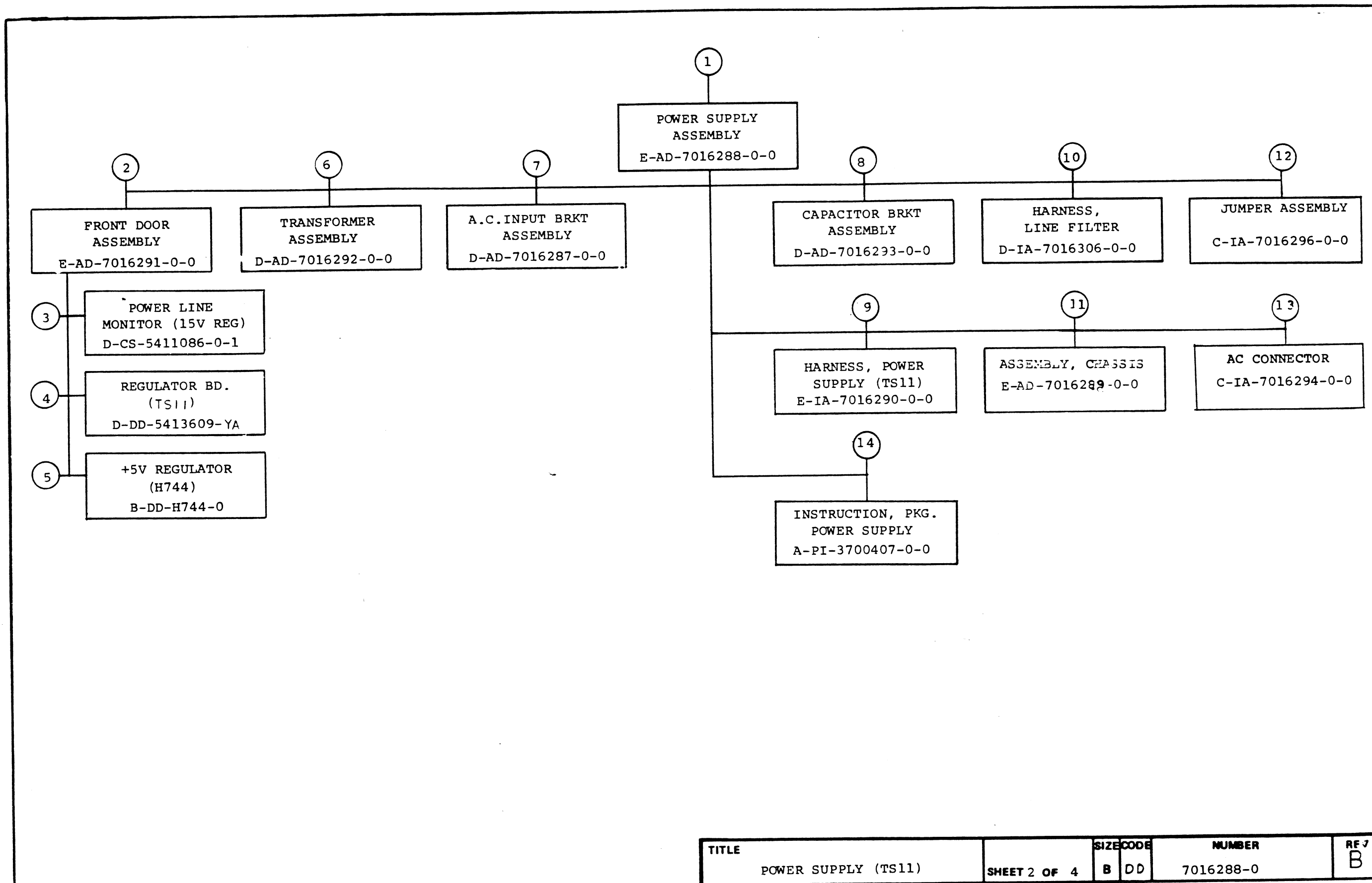
WIRING TYPICAL FOR BOTH 7016288-00 AND 7016288-01

WIRING FOR 7016288-00 (ONLY)

WIRING FOR 7016288-01 (ONLY)



AD7016288-0-0



TITLE	SHEET 2 OF 4	SIZE CODE	NUMBER	REV
POWER SUPPLY (TS11)	B DD	7016288-0	B	

ML2

FIND NO.	DRAWING NO.	DESCRIPTION	TYPE	FIND NO.	DRAWING NO.	DESCRIPTION	TYPE
1	MP00699	FIELD MAINTENANCE PRINT SET (MP)	REF	5	B-DD-H744-0	+5V REGULATOR (H744)	E/M
	E-AD-7016288-0-0	POWER SUPPLY (TS11)	E/M				
	K-PL-7016288-0-DBP	POWER SUPPLY (TS11)	E/M				
	D-MD-7421771-0-0	COVER, TOP	M				
	B-MD-7422499-0-0	PLEXI COVER	M				
				6	D-AD-7016292-0-0	TRANSFORMER ASSY	E/M
					B-PL-7016292-0-0	TRANSFORMER ASSY	E/M
				7	D-AD-7016287-0-0	A.C. INPUT BRKT ASSEMBLY	E/M
					B-PL-7016287-0-0	A.C. INPUT BRKT ASSEMBLY	E/M
					D-IA-7422052-0-0	BRACKET, A.C. INPUT	M
2	E-AD-7016291-0-0	FRONT DOOR ASSEMBLY	E/M				
	B-PL-7016291-0-0	FRONT DOOR ASSEMBLY	E/M				
	D-IA-7421772-0-0	DOOR, FRONT	M	8	D-AD-7016293-0-0	CAPACITOR BRKT ASSEMBLY	E/M
	C-IA-7421770-0-0	BRACKET, FAN	M		B-PL-7016293-0-0	CAPACITOR BRKT ASSEMBLY	E/M
					D-IA-7421773-0-0	BRACKET, CAPACITOR	M
					C-IA-7418370-0-0	RETAINER CAPACITOR	M
3	D-CS-5411086-0-1	POWER LINE MONITOR/15V REG	E/M				
	K-CO-5411086-0-4	X-Y COORDINATE HOLE LOCATION	M				
	D-AH-5411086-0-5	ASSY/DRILLING HOLE LAYOUT	M	9	E-IA-7016290-0-0	HARNESS, POWER SUPPLY (TS11)	E/M
	B-MH-5411086-0-6	MODULE E.C.O. HISTORY	REF		B-PL-7016290-0-0	HARNESS, POWER SUPPLY (TS11)	E/M
	5011085	ETCHED CIRCUIT BOARD	M				
	A-SP-11/45-TA-2	MODULE TEST PROCEDURE	REF				
	A-SP-5411086-0-3	ENG. SPEC-AND TEST PROC.	REF				
	7413721-0-0	.010 INCH SHIM	M	10	D-IA-7016206-0-0	HARNESS, LINE FILTER	E/M
					B-PL-7016306-0-0	HARNESS, LINE FILTER	E/M
4	B-DD-5413609-YA	REGULATOR BD. (TS11)	E/M				

TYPE: E ELECTRICAL
M MECHANICAL
E/M ELECTRO/MECHANICAL



ML2

FIND NO.	DRAWING NO.	DESCRIPTION	TYPE	FIND NO.	DRAWING NO.	DESCRIPTION	TYPE
11	E-AD-7016289-0-0	ASSEMBLE, CHASSIS	M				
	E-IA-7422049-0-0	CHASSIS	M				
	D-IA-7422050-0-0	PLATE, BOTTOM	M				
12	C-IA-7016296-0-0	JUMPER ASSEMBLY	E/M				
	B-PL-7016296-0-0	JUMPER ASSEMBLY	E/M				
13	C-IA-7016294-0-0	AC CONNECTOR ASSY	E/M				
	B-PL-7016294-0-0	AC CONNECTOR ASSY	E/M				
14	A-PI-3700407-0-0	INSTRUCTION, PKG. POWER SUPPLY	E/M				

TYPE: E ELECTRICAL
M MECHANICAL
E/M ELECTRO/MECHANICAL



TITLE POWER SUPPLY (TS11)

SHEET 4 OF 4

SIZE CODE B DD

NUMBER 7016288-0

REV B

AUTOMATED BY PRTLST.3P(44)

PARTS LIST

SHEET A1 OF A2

LINE	ITEM	DOCUMENT NUMBER	PART NUMBER	DESCRIPTION	QUANTITY PER VARIATION	
					00	01
1	1	D-AD-7016287-0-0	7016287-00	A.C. IPUT ASSY 120V	1	-
		D-AD-7016287-0-0	7016287-01	A.C. IPUT ASSY 240V	-	1
		A-PS-1700083-0-0	1700083-00	PWR CORD, TERM. 75IN, 14-3, 125V 15	1	-
		A-PS-1700083-0-0	1700083-17	PWR CORD, TERM. 75IN, 1E-3, 250V 6	-	1
		F-AD-7016291-0-0	7016291-00	FRONT DOOR ASSY	1	1
		F-IA-7016292-0-0	7016292-00	TRANSFORMER ASSY	1	1
		D-AD-7016293-0-0	7016293-00	CAPACITOR BRKT. ASSY	1	1
		F-IA-7016290-0-0	7016290-00	HARNESS, POWER SUPPLY	1	1
		C-IA-7016306-0-0	7016306-00	HARNESS, LINE FILTER	1	1
		F-AD-7016289-0-0	7016289-00	CHASSIS WELDMENT ASSY	1	1
		D-MD-7421771-0-0	7421771-00	TOP COVER	1	1
			9006634-00	WASHER, LOCK INT, .2300D X .172ID	13	13
			9006035-01	SCREW, PAN, PHIL 8-32X 1/4 SS	9	9
			9006037-01	SCREW, PAN, PHIL 8-32X 3/8 SS	4	4
		A-PS-1212893-0-0	1212893-00	FUSE HOLDER, 20A, 300V, PNL MNT	3	3
			9007222-00	FUSE, SLO BLO 5 A, 250V GLASS	2	2
			9008264-00	MOUNT, CABLE TIE, ADHESIVE BACKE	A/R	A/R
			9008509-00	*** THIS ITEM IS NOT USED ***		
			9006910-00	TERM BLOCK 8POS 7/16 SPACING CL	2	2
			9006560-00	NUT, KEP 6-32X 5/16AF	4	4
		C-IA-7016296-0-0	7016296-00	JUMPER ASSY	1	1
		B-MD-7422499-0-0	7422499-00	PLEXI-COVER	2	2
			9006857-00	SPACER, HEX THD'D, ALUM 6-32X 5	4	4
			9006659-00	WASHER, FLAT .375 O.D. X .156 I	4	4
			9006020-01	SCREW, PAN, PHIL 6-32X 1/4 SS	4	4
			9006565-00	NUT, KEP 10-32X 3/8 AF	4	4
			9006664-00	WASHER, FLAT .437 OD X .218 ID	4	4
			9107253-00	TUBING, SHRINK 1/4 DIA. EXP UL	A/R	A/R
		C-IA-7016294-0-0	7016294-00	LINE FILTER ASSY	1	1
			9009003-00	JUMPER FOR TERM BLOCK	4	4

REVISION HISTORY			BASIC PART NO: 7016288			D I G I T A L		
ENG	ECO NUMBER	REV	SECTION A OF A	DRN:	DATE:	TITLE		
J.B.	7016288-MLOG4	D	SECTION. VARIATION INDEX [A] 00,01	W.J. MAHER	28-AUG-78	PARTS LIST		
			[B]	D. BRIGHAM	09-NOV-78	POWER SUPPLY ASSEMBLY		
			[C]	M. QUADRI	10-NOV-78	DOCUMENT NUMBER		
			[D]	M. QUADRI	10-NOV-78	SIZE:	CODE:	NUMBER
			[E]	P. BARTON	10 NOV 78	K	PL	7016288-0-DBP
			[F]	ASSEMBLY NUMBER:	TOP DOCUMENT NUMBER:	FILE NAME:	EDIT #	
				E-AD-7016288-0-0		Z3068D.PLS	20	

"THIS DRAWING AND SPECIFICATIONS HEREIN, ARE THE PROPERTY OF DIGITAL EQUIPMENT CORPORATION AND SHALL NOT BE REPRODUCED OR COPIED OR USED IN WHOLE OR IN PART AS THE BASIS FOR THE MANUFACTURE OR SALE OF ITEMS WITHOUT WRITTEN PERMISSION. COPYRIGHT (C) 1982. DIGITAL EQUIPMENT CORPORATION"

AUTOMATED BY PRTLST.3P(44)

PARTS LIST

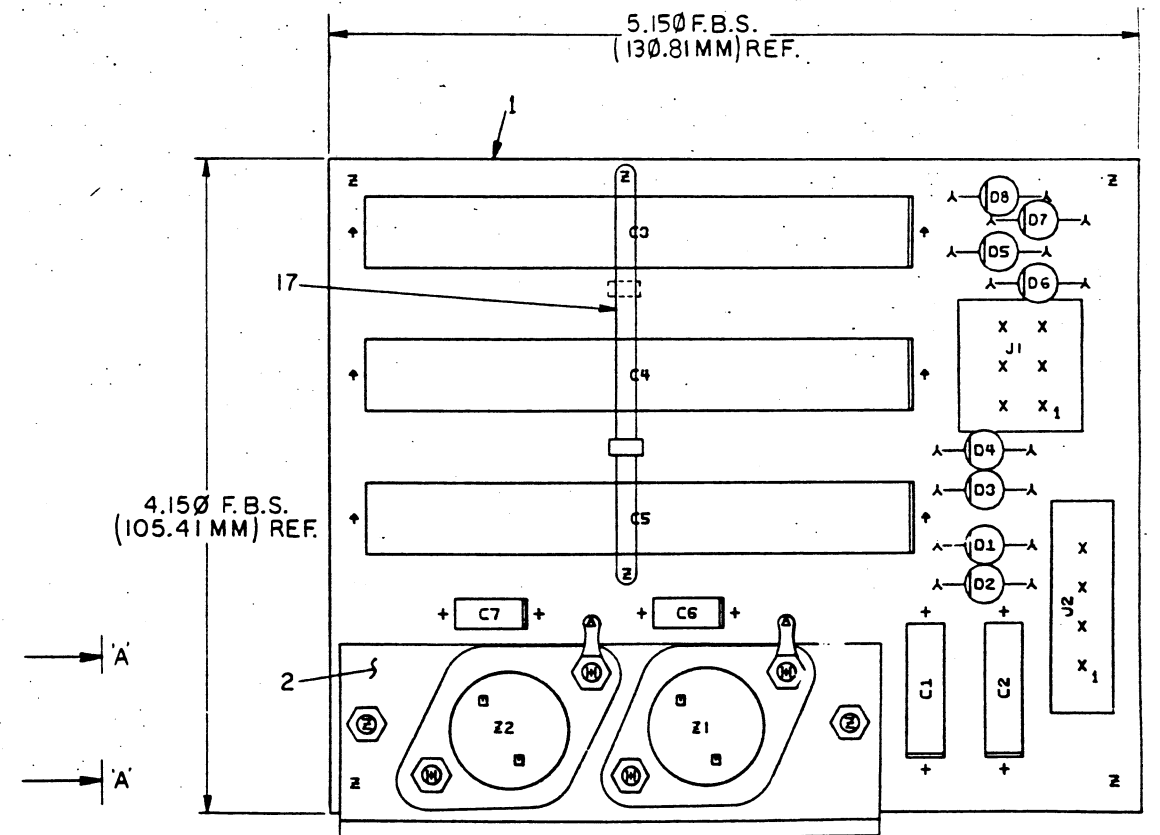
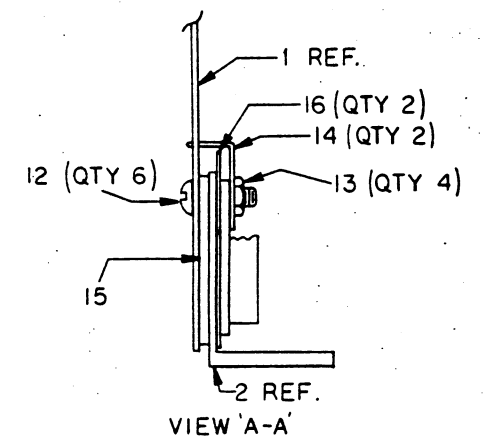
SHEET A2 OF A2

LINE	ITEM	DOCUMENT NUMBER	PART NUMBER	DESCRIPTION	QUANTITY PER VARIATION	
					00	01
31	31	A-PS-3612680-0-0	3612680-00	DECAL, GROUND SIGN PER 3E6 *	2	2
32	32		9007880-00	TIE CABLE BUNDL DIA 0-1.14"=101	6	6
33	33	A-PS-1212170-0-0	1212170-00	MATE-N-LOK SKT UNIV 20-14AWG REE	2	2
34	34		9008290-01	FUSE, SLO BLO 12 A, 250V CER.	1	1
35	35	A-SP-3616126-0-0	3616126-00	LABEL, VOLTAGE & FREQUENCY CONFIG	1	1
36	36	A-SP-3616128-0-0	3616128-00	LABEL, TS11 PWR SUPPLY FUSE RATIN	1	1
37	37	A-PI-3700407-0-0	3700407-00	INSTR PKG POWER SUPPLY 7016288-0	1	1
38	38		9007651-00	WASHER, LOCK, EXTERNAL TOOTH #10	1	1
39	39	A-PS-1311996-0-0	1311996-00	VARIATOR 150VAC VOLT TRANS SUP	2	2
40	40	A-PS-1012210-0-0	1012210-00	.1 MFD 220V 10% MET. MYLR	2	2
41	41		9006762-00	TERM LUG #6STUD LOCKING 30	4	4
42	42		9107278-11	TUBING, THIN WALL, .042ID UL	A/R	A/R

D	I	G	I	T	A	L	TITLE	POWER SUPPLY ASSEMBLY	SECTION A OF A	SIZE	CODE	DOCUMENT NUMBER	REV
										K	PL	7016288-0-DBP	D

THIS DRAWING AND INFORMATION HEREON ARE THE PROPERTY OF AVCO. EMPLOYEES, CONTRACTORS AND ALL OTHERS ARE PROHIBITED FROM REPRODUCING OR USING IN ANY MANNER THE INFORMATION CONTAINED HEREIN WITHOUT THE WRITTEN PERMISSION OF AVCO. © 1979 AVCO CORPORATION

COMPONENT SIDE VIEW



NOTES:

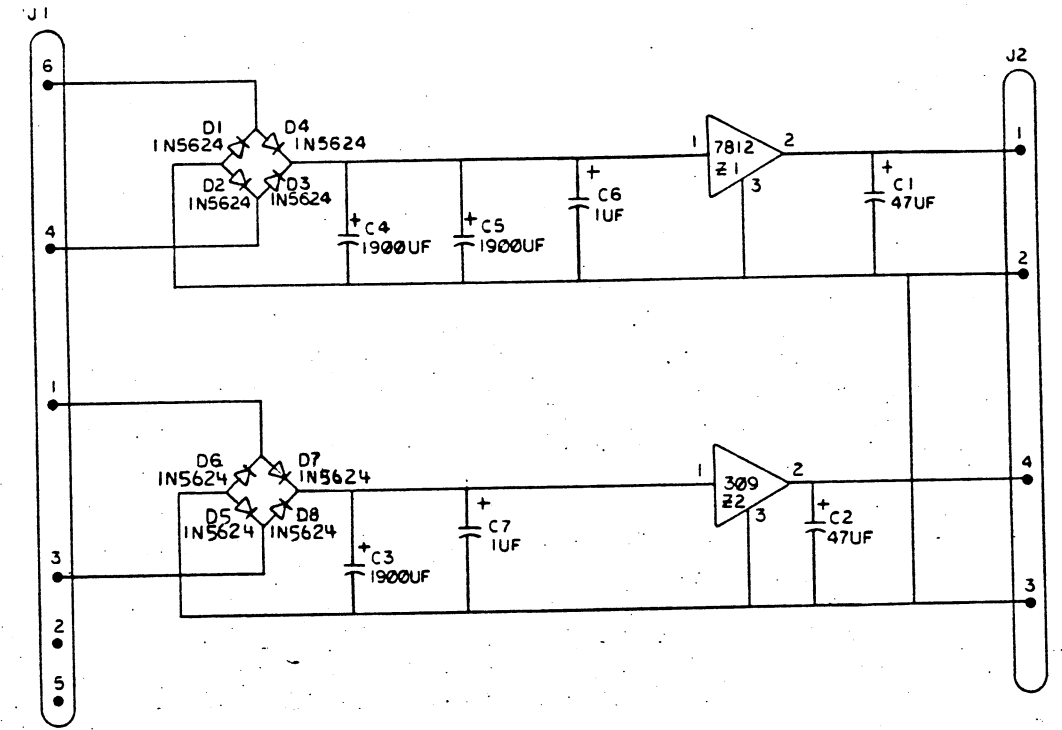
STEP 1	→ Y AXIS	STEP	TIMES
REPEAT	→ X AXIS	STEP	TIMES

CHG	NO	REV	BY	DATE
1	1	B		
2	2	C		
3	3	A		
4	4	A		

ETCH REV. C-P1

SIGNATURES		DATE	digital
DRN. <i>(Signature)</i>		12-28-79	
CHK'D. <i>(Signature)</i>		1-7-80	TITLE TU 58 REGULATOR BD
MECH. ENG. <i>(Signature)</i>		2-28-80	
PROJ. ENG. <i>(Signature)</i>		2-28-80	
PROD. <i>(Signature)</i>		2-28-80	
SCALE 2/1	SMT. 1 OF 1	SIZE CODE	NUMBER
NEXT HIGHER ASSY. B-00-5413609-0		DUA	5413609-0-0

THIS DRAWING AND SPECIFICATIONS HEREIN ARE THE PROPERTY OF DIGITAL EQUIPMENT CORPORATION AND SHALL NOT BE REPRODUCED OR COPIED OR USED IN WHOLE OR IN PART AS THE BASIS FOR THE MANUFACTURE OR SALE OF ITEMS WITHOUT WRITTEN PERMISSION.
 COPYRIGHT © 1978 DIGITAL EQUIPMENT CORPORATION



REV.	CHANGE NO.	DESCRIPTION
B	1	REVISED
C	2	REVISED
D	3	REVISED
E	4	REVISED
F	5	REVISED
G	6	REVISED
H	7	REVISED
I	8	REVISED
J	9	REVISED
K	10	REVISED
L	11	REVISED
M	12	REVISED
N	13	REVISED
O	14	REVISED
P	15	REVISED
Q	16	REVISED
R	17	REVISED
S	18	REVISED
T	19	REVISED
U	20	REVISED
V	21	REVISED
W	22	REVISED
X	23	REVISED
Y	24	REVISED
Z	25	REVISED

DRN <i>Lise Gunning</i> 8/23/78	FIRST USED ON	digital
CHK'D <i>[Signature]</i> 8/24/78	TITLE	TU58 REGULATOR BOARD
ENGR <i>Kerry Sam</i> 8/14/78	PROL ENGR <i>[Signature]</i> 8/14/78	PROD. <i>[Signature]</i> 8/14/78
NEXT HIGHER ASSY.	SIZE	CODE
B-DD-5413609-0	D	CS
SCALE	NUMBER	REV.
	5413609-0-1	C
SHEET 1 OF 1	DIST.	
	ML2	1

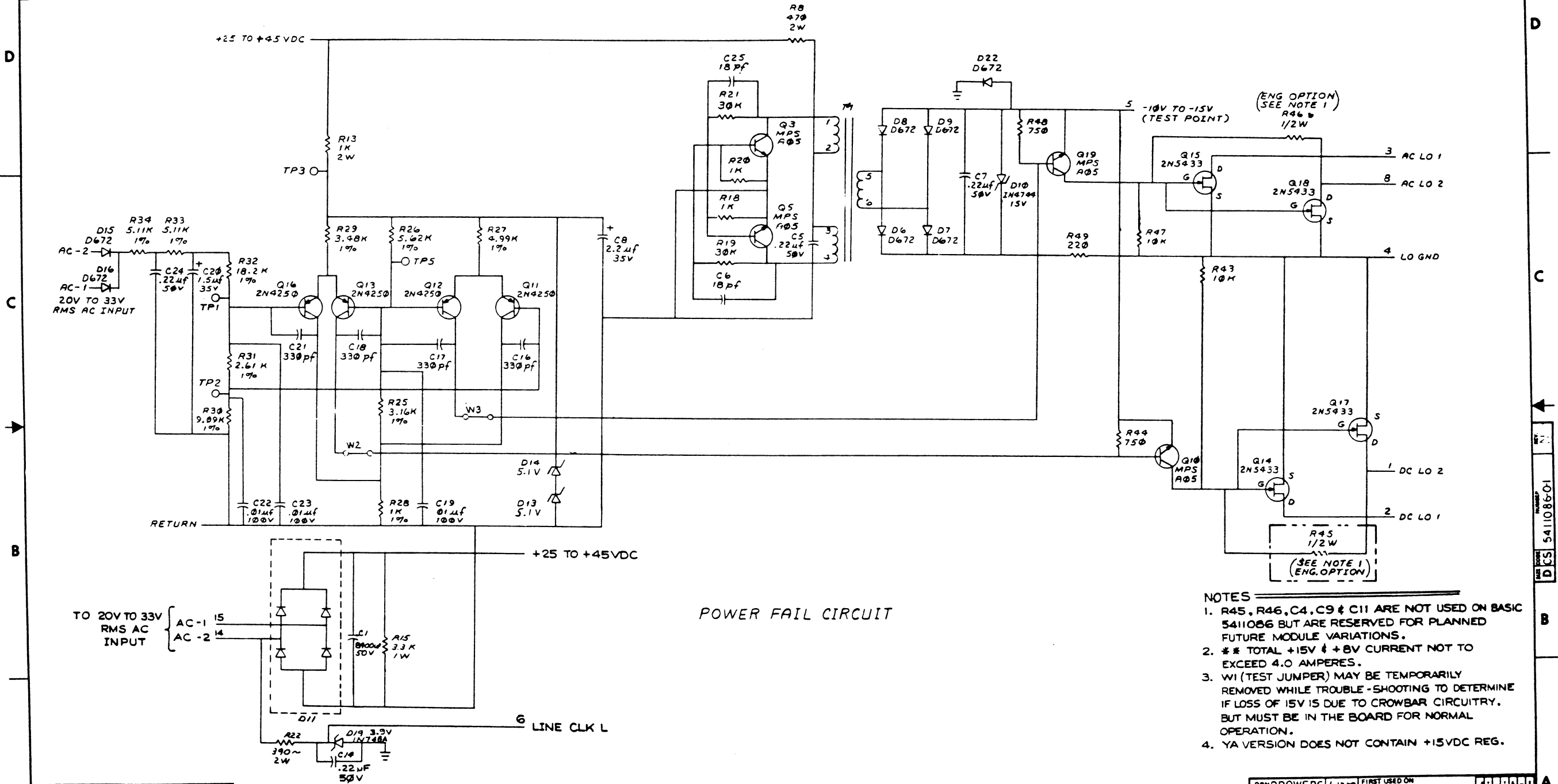
PARTS LIST

LINE	ITEM	DOCUMENT NUMBER	PART NUMBER	DESCRIPTION	QTY PER VARIATION 00	REFERENCE DESIGNATOR
1	1	D-MD-5013608-0-0	5013608-00	DRILL & ETCH BD	1	
2	2		1215894-00	HEAT SINK,2-3,ALUM	1	
3	3		1912048-04	DEC 7812 VOLT REG,FIX +12V	1	Z1
4	4		1910460-00	DEC 309 VOLT REG,FIX +15V	1	Z2
5	5		1110420-00	1N 5624 PIV=200 I= 5A	8	D1-D8
6	6		1105796-00	*** THIS ITEM IS NOT USED ***	-	
7	7		1011607-00	1900 MFD 40V +75-10% AL EL	3	C3-C5
8	8		1001776-00	1 MFD 35V 10% S.TANT	2	C6,C7
9	9		1000079-00	47 MFD 20V 20% S.TANT	2	C1,C2
10	10		1212297-01	MATE-N-LOK 4PIN UNIV HEADER	1	J2
11	11		1212297-05	MATE-N-LOK 6PIN UNIV HEADER	1	J1
12	12		9006022-01	SCREW,PAN,PHIL 6-32X 3/8 SS	6	
13	13		9008185-00	NUT,KEF , 6-32X1/4 AF	4	
14	14		9009676-00	TERM LUG 1POS SOLDER	2	
15	15		1215580-00	INSULATOR,MOLDED	2	
16	16		1213071-02	INSULATOR,RUBBER SILICONE SM	2	
17	17		9007880-00	TIE,CABLE BUNDL.DIA 0-1-1/4"=101	2	
18	18	D-EC-5013608-0-0		ETCH CUT DRAWING	REF	
19	19	D-UA-5413609-0-0		UNIT ASSEMBLY	REF	
20	20	D-CS-5413609-0-1		CIRCUIT SCHEMATIC	REF	

REVISION HISTORY			BASIC PART NO: 5413609			DRN: J.WHITNEY			DATE: 10-JUN-80			DIGITAL			
ENG	ECO NUMBER	REV	SECTION A OF A			CHK'D: LARRY DOIRON			DATE: 10-JUN-80			TITLE PARTS LIST			
---	INITIAL	A	SECTION,VARIATION INDEX			DES.ENG: LARRY DOIRON			DATE: 10-JUN-80			TU58 REGULATOR BD			
AB	5413609-ML001	B	[A]	00	[B]	RESP.ENG.: LARRY DOIRON			DATE: 10-JUN-80			DOCUMENT NUMBER			
			[C]		[D]	MFG.ENG.: PETER BARTON			DATE: 10-JUN-80			SIZE	CODE	NUMBER	REV
			[E]		[F]	ASSEMBLY NUMBER:			TOP DOCUMENT NUMBER:			K	PL	5413609-0-DBP	B
			[G]		[H]	D-UA-5413609-0-0			#B-DD-5413609-0			FILE NAME: Z1483B.FLS			EDIT #
			[I]		[J]										4

*THIS DRAWING AND SPECIFICATIONS HEREIN, ARE THE PROPERTY OF DIGITAL EQUIPMENT CORPORATION AND SHALL NOT BE REPRODUCED OR COPIED OR USED IN WHOLE OR IN PART AS THE BASIS FOR THE MANUFACTURE OR SALE OF ITEMS WITHOUT WRITTEN PERMISSION. COPYRIGHT (C) 1980. DIGITAL EQUIPMENT CORPORATION *

THIS DRAWING AND SPECIFICATIONS HEREIN ARE THE PROPERTY OF DIGITAL EQUIPMENT CORPORATION AND SHALL NOT BE REPRODUCED OR COPIED OR USED IN WHOLE OR IN PART AS THE BASIS FOR THE MANUFACTURE OR SALE OF ITEMS WITHOUT WRITTEN PERMISSION. COPYRIGHT © 1975 DIGITAL EQUIPMENT CORPORATION



POWER FAIL CIRCUIT

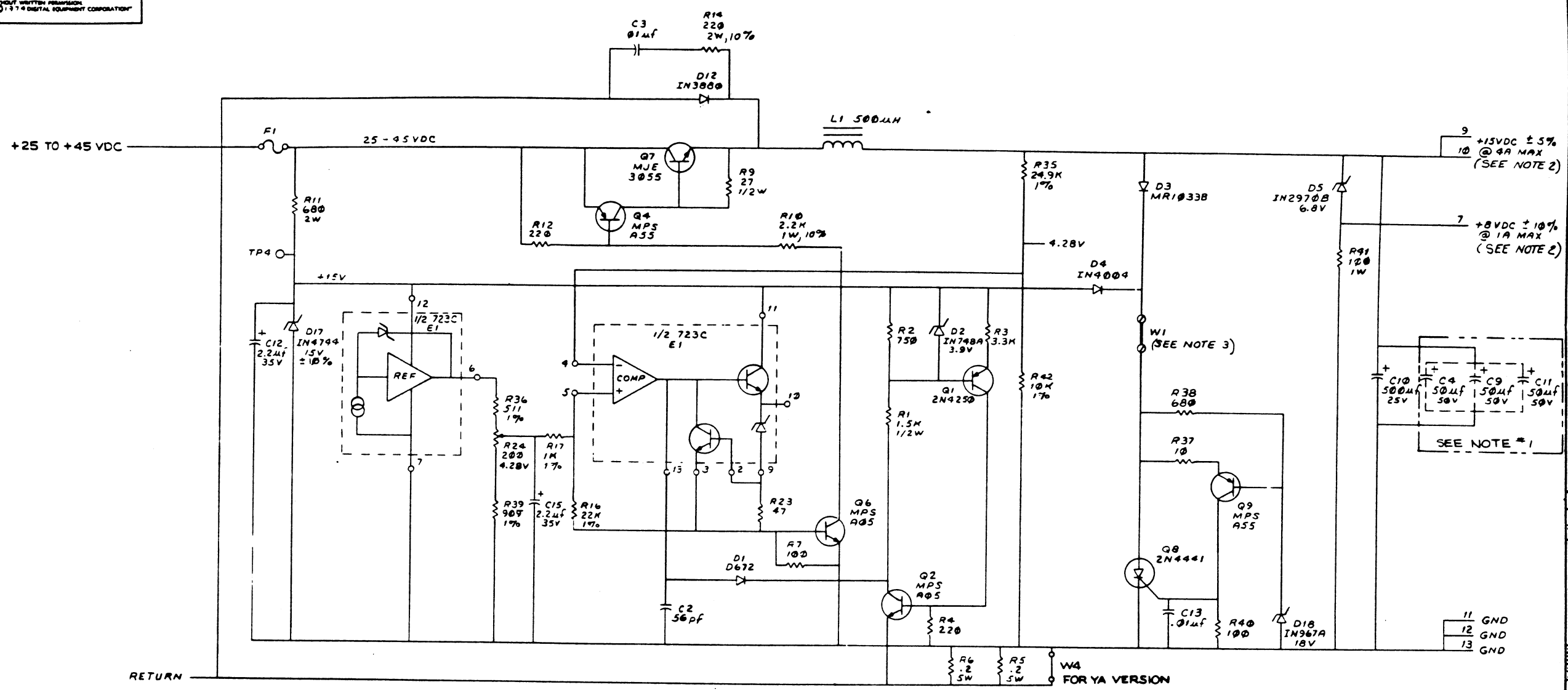
- NOTES
1. R45, R46, C4, C9 & C11 ARE NOT USED ON BASIC 5411086 BUT ARE RESERVED FOR PLANNED FUTURE MODULE VARIATIONS.
 2. ** TOTAL +15V & +5V CURRENT NOT TO EXCEED 4.0 AMPERES.
 3. W1 (TEST JUMPER) MAY BE TEMPORARILY REMOVED WHILE TROUBLE-SHOOTING TO DETERMINE IF LOSS OF 15V IS DUE TO CROWBAR CIRCUITRY. BUT MUST BE IN THE BOARD FOR NORMAL OPERATION.
 4. YA VERSION DOES NOT CONTAIN +15VDC REG.

REV	CHG	BY	DATE
1		ML008	
2		CARTER	
3		R. KENNEDY	
4		G. BERRY	
5		J. M. COLLINS	
6		A. BARON	
7		J. H. B. P. Y. M. C. U.	

DRN POWERS	1-17-79	FIRST USED ON	
CHK'd	2-15-79	TITLE	POWER LINE MONITOR 15V REG
ENG. d. BERRY	2-6-78	SCALE	NONE
PROJ. ENG. d. BERRY	2-6-78	SHEET	1 OF 2
PROD. ENG. d. BERRY	2-6-78	DIST	
NEXT HIGHER ASSY.		SIZE	CODE
B-00-5411086-0		D	CS 5411086-0-1
SCALE NONE		NUMBER	N
SHEET 1 OF 2		REV	

THIS DRAWING AND SPECIFICATIONS HEREIN ARE THE PROPERTY OF DIGITAL EQUIPMENT CORPORATION AND SHALL NOT BE REPRODUCED OR COPIED OR USED IN WHOLE OR IN PART AS THE BASIS FOR THE MANUFACTURE OR SALE OF ITEMS WITHOUT WRITTEN PERMISSION. COPYRIGHT © 1971 DIGITAL EQUIPMENT CORPORATION.

DCS 5411086-0-1



15V REGULATOR
(SEE NOTE #4)

REVISIONS		
CHK	CHANGE NO	REV

TITLE	PWR. LINE MONITOR/15V REG.	SIZE CODE	DCS 5411086-0-1	NUMBER	N
SCALE		SHEET	2	OF	2

DCS 5411086-0-1 N

TW

THIS DRAWING AND SPECIFICATIONS, HEREIN, ARE THE PROPERTY OF DIGITAL EQUIPMENT CORPORATION AND SHALL NOT BE REPRODUCED OR COPIED OR USED IN WHOLE OR IN PART AS THE BASIS FOR THE MANUFACTURE OR SALE OF ITEMS WITHOUT WRITTEN PERMISSION. COPYRIGHT © 1978, DIGITAL EQUIPMENT CORPORATION

WIRE TABLE 7016287-00

ITEM NO	DESCRIPTION	FROM	TO	REMARKS
9	14 BLACK	J1-1	CBI-3	
		J1-2	CBI-4	
		J1-3	CBI-3	
		J1-4	CBI-4	
		J1-7	CBI-3	
9	14 BLACK	J1-8	CBI-4	
13	BROWN	FLI-1	CBI-1	
13	BLUE	FLI-2	CBI-2	
16	GRN/YEL	FLI-GND	SOLDER GND-1	

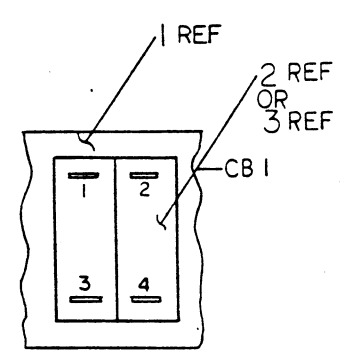
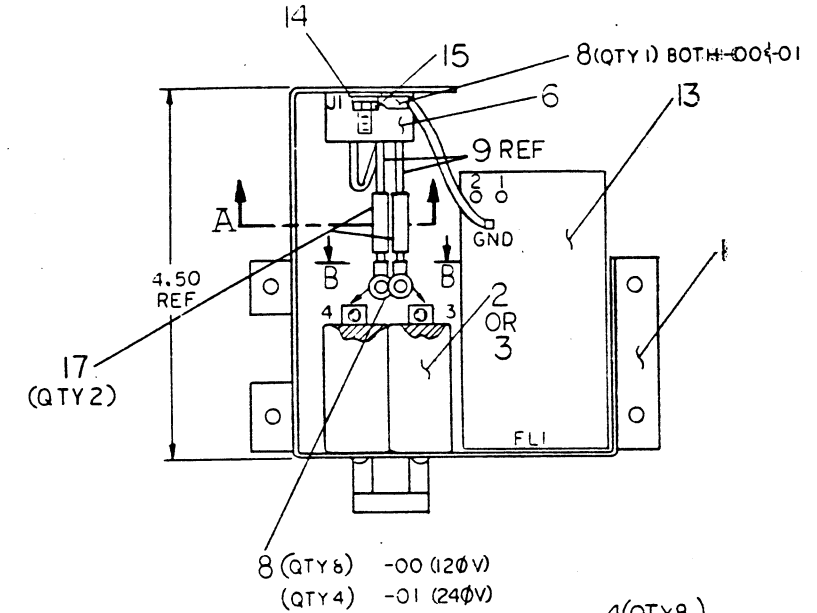
WIRE TABLE 7016287-01

ITEM NO	DESCRIPTION	FROM	TO	REMARKS
9	14 BLACK	J1-1	CBI-3	
		J1-2	J1-3	JUMPER
		J1-4	CBI-4	
		J1-5	J1-7	JUMPER
9	14 BLACK	J1-6	J1-8	JUMPER
13	BROWN	FLI-1	CBI-1	
13	BLUE	FLI-2	CBI-2	
16	GRN/YEL	FLI-GND	SOLDER GND-1	

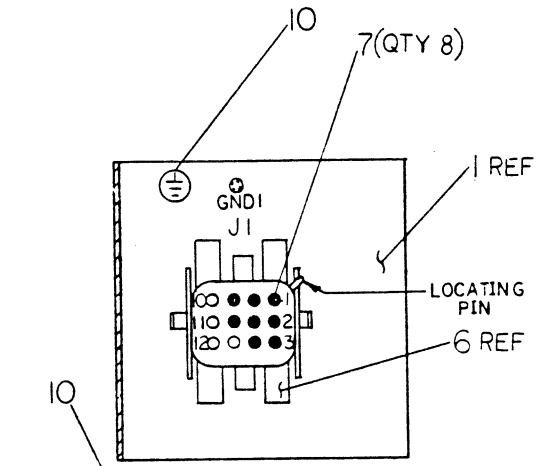
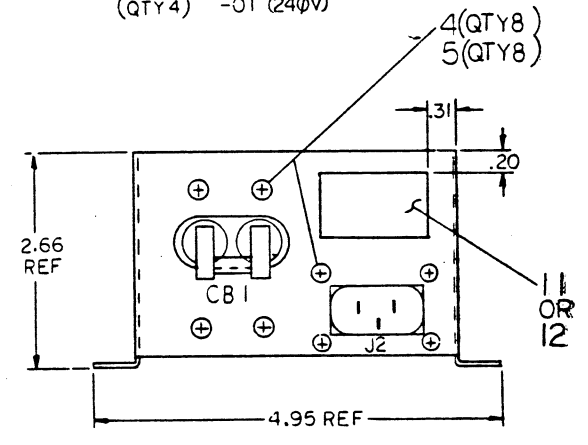
LEGEND

PART NO	VARIATION
7016287-00	120V
7016287-01	240V

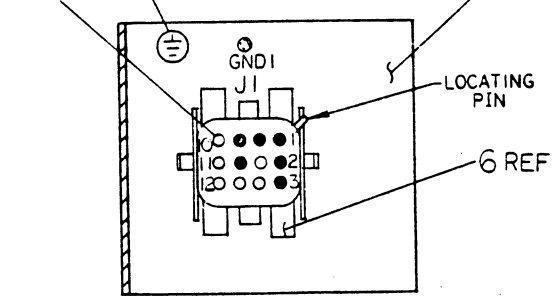
NOTES:



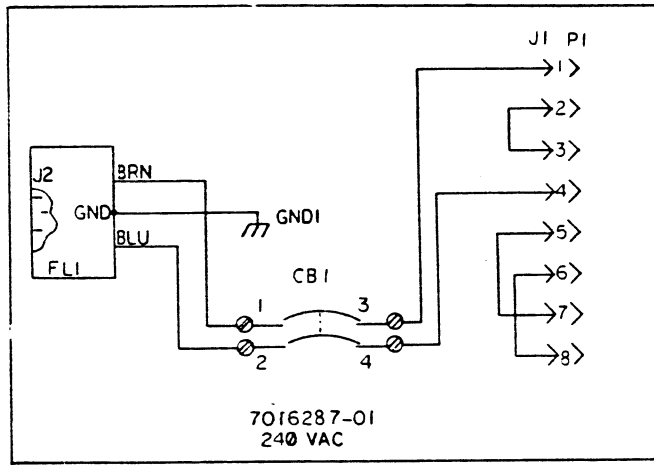
VIEW B-B



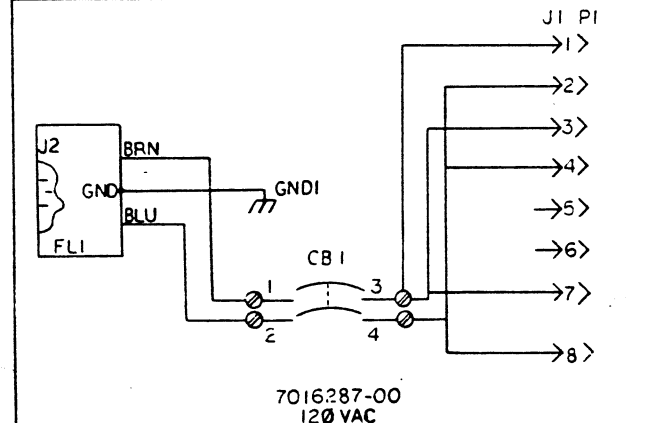
SECTION A-A
7016287-01 ONLY
SCALE: NONE



SECTION A-A
7016287-00 ONLY
SCALE: NONE



7016287-01
240 VAC



7016287-00
120 VAC

CAUTION OFF SHEETS PARTS LIST REFER TO K-PL-7016287-0-DBP (Z3784)

REV.	DATE	BY	CHK'D	DESCRIPTION
1	11/15/78	M. QUADRI		REVISED TO 240V
2	12/15/78	M. QUADRI		REVISED TO 120V
3	01/15/79	M. QUADRI		REVISED TO 240V
4	02/15/79	M. QUADRI		REVISED TO 120V
5	03/15/79	M. QUADRI		REVISED TO 240V
6	04/15/79	M. QUADRI		REVISED TO 120V
7	05/15/79	M. QUADRI		REVISED TO 240V
8	06/15/79	M. QUADRI		REVISED TO 120V

DESCRIPTION		DWG/PART NO.	ITEM NO.
UNLESS OTHERWISE SPECIFIED DIMENSIONS ARE IN INCHES			
ANGLES 90°/30°	CLASS OF ACCURACY (CHECK ONE)	NOMINAL DIMENSION RANGE INCHES	
SURFACE QUALITY IN	MEDIUM	OVER 0.2 TO 0.3	OVER 0.3 TO 0.5
QUANTITY & VARIATION	PREFERRED	OVER 0.5 TO 1.2	OVER 1.2 TO 4.0
THIRD ANGLE PROJECTION	REMOVE BURRS AND BREAK SHARP CORNERS	OVER 4.0 TO 12.0	OVER 12.0 TO 48.0
DO NOT SCALE DWG	NEXT HIGHER ASSY.	OVER 48.0 TO 96.0	OVER 96.0 TO 192.0
MATERIAL SEE B-PL-7016287-0-0	SCALE 1/1	OVER 192.0 TO 384.0	OVER 384.0 TO 768.0
FINISH	SHEET OF 1	OVER 768.0 TO 1536.0	OVER 1536.0 TO 3072.0
FIRST USED ON TS11		digital	
TITLE A.C. INPUT ASSEMBLY		NUMBER 7016287-0-0	
SIZE CODE D		REV C	

AUTOMATED BY: PRTLST.3P(44)

PARTS LIST

SHEET A1 OF A1

LINE	ITEM	DOCUMENT NUMBER	PART NUMBER	DESCRIPTION	QUANTITY PER VARIATION	
					00	01
1		D-IA-7422051-0-0	7422051-00	BRKT, AC INPUT	1	1
10			1212124-03	CKT BKR 10.0 A 240V 2P SERIES TR	0	1
11			1212124-05	CKT BKR 20.0 A 240V 2P SERIES TR	1	0
12			9006020-01	SCREW, PAN, PHIL 6-32X 1/4 SS	8	8
13			9006633-00	WASHER, LOCK, INT. .28000 X .146ID	8	8
14			1212168-03	MATE-N-LOK 12POS UNIV HSG, PIN OR	1	1
15			1212169-00	MATE-N-LOK PIN 14-20AWG	6	6
16			9007928-00	TERM, RING #10STUD CRIMP 14-1	9	9
17			9107370-00	WIRE, STRND, 14AWG, IPVC UL1534	A/R	A/R
18			3612680-00	DECAL, GROUND SIGN PER 3E6 *	1	1
19		A-PS-3616127-0-0	3616127-00	LABEL, INPUT POWER 120V	1	0
20		A-PS-3616127-0-0	3616127-01	LABEL, INPUT POWER 240V	0	1
21			1216196-01	FILTER, LINE, 115W 47-47-63H2, 8A	1	1
22			9007651-00	WASHER, LOCK, EXTERNAL TOOTH #10	1	1
23			9006565-00	NUT, KEP 10-32X 3/8 AF	1	1
24			9107777-54	WIRE, STRND, 14AWG, IPVC UL3317 GR	A/R	A/R
25			1605147-00	56-261-30-3B FERRITE TUBE	2	2

REVISION HISTORY			BASIC PART NO: 7016287		DRN: W.J. MAHER		DATE: 28 AUG 78		D I G I T A L		
ENG	ECO NUMBER	REV	SECTION A OF A	CHK'D:	BRIGHAM	DATE:	10 NOV 78	TITLE	PARTS LIST		
M.O.	7016287-ML002	C	SECTION. VARIATION INDEX					A.C. INPUT BRACKET ASSY			
			(A) 00,01								
			(B)	DES.ENG.:	M. QUADRI	DATE:	10 NOV 78				
			(C)	RESP.ENG.:	M. QUADRI	DATE:	11-JAN-82	DOCUMENT NUMBER			
			(D)					SIZE:CODE	NUMBER	REV	
			(E)	MFG.ENG.:	P. BARLION	DATE:	10 NOV 78	K	PL	7016287-0-DBP	C
			(F)	ASSEMBLY NUMBER:	D-AD-7016287-0-0	TOP DOCUMENT NUMBER:		FILE NAME:		EDIT #	
								237840.PLS		6	

"THIS DRAWING AND SPECIFICATIONS HEREIN ARE THE PROPERTY OF DIGITAL EQUIPMENT CORPORATION AND SHALL NOT BE REPRODUCED OR COPIED OR USED IN WHOLE OR IN PART AS THE BASIS FOR THE MANUFACTURE OR SALE OF ITEMS WITHOUT WRITTEN PERMISSION. COPYRIGHT (C) 1982. DIGITAL EQUIPMENT CORPORATION"

LINE	ITEM	DOCUMENT NUMBER	PART NUMBER	DESCRIPTION	QUANTITY PER VARIATION	
					AA	AB
1	1	O-1A-7016301-0-0	7016301-00	FRAME ASSY	1	1
2	2	E-AD-7016288-0-0	7016288-00	POWER SUPPLY ASSY 120V	1	1
3	3	E-AD-7016288-01-0	7016288-01	POWER SUPPLY ASSY 240V	1	1
4	4	O-1A-7016676-0-0	7016676-00	ELECTRONIC CHASSIS ASSY	1	1
5	5	O-AD-7013573-0-0	7013573-00	TAPE DRIVE ASSY TS04	1	1
6	6		1216608-00	SCREW, SET, SKT, 1/4-20X 1-1/4	4	4
7	7		9006241-09	SCREW, HEX 1/4-20X 1/2	4	4
8	8		9007797-00	WASHER, LOCK, S.S. 1/4	8	8
9	9		9008071-00	WASHER, FLAT .500 O.D. X .281 ID	4	4
10	10	A-PS-1213756-0-0	1213756-16	GROUND STRAP	1	1
11	11		9007651-00	WASHER, LOCK, EXTERNAL TOOTH #10	1	1
12	12		9005071-01	SCREW, PAN, PHIL 10-32X 3/8 SS	2	2
13	13		9006565-00	NUT, KEP 10-32X 3/8 AF	4	4
14	14	A-PS-1213756-0-0	1213756-12	GROUND STRAP	1	1
15	15		9006243-09	SCREW, HEX 1/4-20X 3/4	4	4
16	16		9006633-00	WASHER, LOCK, INT, .28000 X .146ID	4	4
17	17		9006021-01	SCREW, PAN, PHIL 6-32X 5/16 SS	4	4
18	18		9008228-00	FOAM TAPE, SINGLE COATED VINYL 1	A/R	A/R
19	19		9009911-00	MOUNT, CABLE TIE, SCREW OR ADHESI	2	2
20	20		9007032-00	TIE, CABLE BUNDL. DIA 0-1-3/4"=101	11	11
21	21	E-UA-TS04K-A-0	TS11K-AA	CONVERT TS11 TO 120V(LINE CORD, F	REF	REF
22	22		9006022-02	SCREW, FLAT, PHIL, 6-32X 3/8	2	2
23	23		9009030-00	/REPLACED BY 90-06560-00		
24	24		3512580-00	DECAL, GROUND SIGN PER 3E6 *	5	5
25	25	A-PS-3512063-0-0	3512063-00	LABEL, ADHESIVE I.D. FOR UL C	1	1
26	26	A-PS-3513210-0-0	3513210-00	LABEL, ELECTRICAL DATA	1	1
27	27	C-1A-7013603-0-0	7013603-00	POWER SUPPLY HARNESS	1	1
28	28	A-PS-1213756-0-0	1213756-20	GROUND STRAP	1	1
29	29	A-PS-1213756-0-0	1213756-07	GROUND STRAP	1	1
30	30	A-PS-1215843-0-0	1215843-00	CLIP, FLAT CABLE W/ADHESIVE BK	5	5

REVISION HISTORY		BASIC PART NO: DT04		DRN:	G. MARINI	DATE:	22-JUN-81	DIGITAL	
ENG!	ECO NUMBER	REV	SECTION A OF A	CHK'D:	B. TREMBLY	DATE:	22-JUN-81	TITLE	PARTS LIST
JB	TS04-A-M1003	B	SECTION VARIATION INDEX:					DRIVE, FRAME ASSY 9TS04-A	(TS04-A)
			(A) AA, AB						
			(B)	DES. ENG.:	M. CUCINA	DATE:	22-JUN-81		
			(C)	RESP. ENG.:	M. CUCINA	DATE:	22-JUN-81	DOCUMENT NUMBER	
			(D)					SIZE! CODE! NUMBER	REV
			(E)	MFG. ENG.:	T. WRIGHT	DATE:	22-JUN-81	K PL	TS04-A-DBP B
			(F)	ASSEMBLY NUMBER:	E-UA-TS04-A-0	TOP DOCUMENT NUMBER:	B-DD-TS04-A-0	FILE NAME:	22745B.PLS
									EDIT # 7

"THIS DRAWING AND SPECIFICATIONS HEREIN, ARE THE PROPERTY OF DIGITAL EQUIPMENT CORPORATION AND SHALL NOT BE REPRODUCED OR COPIED OR USED IN WHOLE OR IN PART AS THE BASIS FOR THE MANUFACTURE OR SALE OF ITEMS WITHOUT WRITTEN PERMISSION. COPYRIGHT (C) 1981. DIGITAL EQUIPMENT CORPORATION"

AUTOMATED BY PRTLST.3P(44)

PARTS LIST

SHEET A2 OF A2

LINE	ITEM	DOCUMENT NUMBER	PART NUMBER	DESCRIPTION	QUANTITY PER VARIATION	
					AA	AB
31	31	A-PS-1213716-0-0	1213716-01	SPACER, FOAM FOR FLAT WIRE CLIP	6	6
32	32		9009718-00	GROMMET, STRIP, 14"	3	3

D	I	G	I	T	A	L	TITLE	DRIVE FRAME AS6Y 9TS04-A) (TS04-A)	SECTION A OF A	SIZE	CODE	DOCUMENT NUMBER	REV
										K	PL	TS04-A-DBP	B

